

ACCESS SERVICES

CITIZENS TELECOMMUNICATIONS COMPANY OF NEVADA
180 S. Clinton Ave. Rochester, NY 14646
P.U.C.N. Tariff No. A-3 Cancels P.U.C.N. Tariff No. A-2

Original Title Page

**Regulations, Rates and Charges
Applying to the provision of Access Services
within the State of Nevada
for Connection to Intrastate Communications
Facilities for Customers within the
Operating Territories of Citizens Telecommunications Company of Nevada
d/b/a Frontier Communications of Nevada
as follows:**

**Elko Division:
Carlin, Elko, Lamoille, Lee-Jiggs,
Montello, Ruby Valley, Wells, and Wendover**

**Tonopah Division:
Tonopah, Goldfield, Manhattan, Silver Peak**

Issued: February 15, 2002

**Issued By
Laurie A. Maffett**

Effective: April 18, 2002 Vice President Regulatory and Government Affairs

Advice No.:

ACCESS SERVICES

CITIZENS TELECOMMUNICATIONS COMPANY OF NEVADA
d/b/a Frontier Communications of Nevada
180 S. Clinton Ave. Rochester, NY 14646
P.U.C.N. Tariff No. A-3

1st Revised Sheet No. 1
Cancels Original Sheet No. 1

TABLE OF CONTENTS

	Page No.	
TITLE PAGE	Title Page	
TARIFF INFORMATION AND USE	20	(T)
EXPLANATION OF SYMBOLS	23	
EXPLANATION OF ABBREVIATIONS	23	
SUMMARY OF RATES	26	
1. APPLICATION OF TARIFF	1-1	
2. GENERAL REGULATIONS		(T)
2.1 Undertaking of the Telephone Company	2-1	
2.1.1 Scope	2-1	
2.1.2 Limitations	2-1	
2.1.3 Liability	2-3	
2.1.4 Provision of Services	2-6	
2.1.5 Installation and Termination of Services	2-6	
2.1.6 Maintenance of Services	2-6	
2.1.7 Changes and Substitutions	2-7	
2.1.8 Refusal and Discontinuance of Service	2-8	
2.1.9 Limitation of Use of Metallic Facilities	2-9	
2.1.10 Notification of Service-Affecting Activities	2-10	
2.1.11 Coordination with Respect to Network Contingencies	2-10	
2.1.12 Provision and Ownership of Telephone Numbers	2-10	
2.2 Use	2-11	
2.2.1 Interference or Impairment	2-11	
2.2.2 Unlawful and Abusive Use	2-12	

Issued: February 28, 2003

Issued By
Laurie A. Maffett

Effective: May 1, 2003

Vice President Regulatory and Government Affairs

Advice No.: NV-03-02 Suppl 1

ACCESS SERVICES

CITIZENS TELECOMMUNICATIONS COMPANY OF NEVADA
d/b/a Frontier Communications of Nevada
180 S. Clinton Ave. Rochester, NY 14646
P.U.C.N. Tariff No. A-3

1st Revised Sheet No. 2
Cancels Original Sheet No. 2

TABLE OF CONTENTS (Cont'd)

	Page No.	
2. GENERAL REGULATIONS (Cont'd)		
2.3 Obligations of the Customer	2-14	
2.3.1 Damages	2-14	
2.3.2 Ownership of Facilities and Theft	2-14	
2.3.3 Equipment Space and Power	2-14	
2.3.4 Availability for Testing	2-15	
2.3.5 Balance	2-15	
2.3.6 Design of Customer Services	2-15	
2.3.7 References to the Telephone Company	2-16	
2.3.8 Claims and Demands for Damages	2-16	
2.3.9 Coordination with Respect to Network Contingencies	2-18	
2.3.10 Report Requirements	2-18	
2.3.11 Determination of Intrastate Charges for Mixed Interstate and Intrastate Access Service	2-25	
2.3.12 Identification and Rating of VoIP-PSTN Traffic	2-26	(N)
2.4 Payment Arrangements and Credit Allowances	2-27	(T)
2.4.1 Payment of Rates, Charges and Deposits	2-27	(T)
2.4.2 Minimum Periods	2-33	
2.4.3 Cancellation of an Order for Service	2-34	
2.4.4 Credit Allowance for Service Interruptions	2-34	
2.4.5	2-42	
2.4.6 Re-establishment of Service Following Fire, Flood or Other Occurrence	2-42	
2.4.7 Title or Ownership Rights	2-43	
2.4.8 Access Service Provided By More Than One Telephone Company	2-43	
2.5 Connections	2-49	
2.5.1 General	2-49	

Issued: December 15, 2011

Issued By
Kenneth Mason

Effective: January 30, 2012 Vice President, Government & Regulatory Affairs

Advice No.: NV-11-10 Supplement 1

ACCESS SERVICES

CITIZENS TELECOMMUNICATIONS COMPANY OF NEVADA
180 S. Clinton Ave. Rochester, NY 14646
P.U.C.N. Tariff No. A-3

Original Sheet No. 3

TABLE OF CONTENTS (Cont'd)

	Page No.
2. GENERAL REGULATIONS (Cont'd)	
2.6 Definitions	2-50
Access Code	2-50
Access Minutes	2-50
Access Tandem	2-50
Answer/Disconnect Supervision	2-50
Attenuation Distortion	2-51
Balance (100 Type) Test Line	2-51
Bit	2-51
Business Day	2-52
Busy Hour Minutes of Capacity	2-52
Call	2-52
Carrier or Common Carrier	2-53
CCS	2-53
Central Office	2-53
Central Office Maintenance Technician	2-53
Central Office Prefix	2-53
Centralized Automatic Reporting on Trunks Testing	2-54
Channel(s)	2-54

Issued: February 15, 2002

Issued By
Laurie A. Maffett

Effective: May 1, 2003

Vice President Regulatory and Government Affairs

Advice No.:

ACCESS SERVICES

CITIZENS TELECOMMUNICATIONS COMPANY OF NEVADA
d/b/a Frontier Communications of Nevada
180 S. Clinton Ave. Rochester, NY 14646
P.U.C.N. Tariff No. A-3

1st Revised Sheet No. 4
Cancels Original Sheet No. 4

TABLE OF CONTENTS (Cont'd)

	Page No.	
2. GENERAL REGULATIONS (Cont'd)		
2.6 Definitions (Cont'd)		
Channel Service Unit	2-54	
Channelize	2-54	
C-Message Noise	2-54	
C-Notched Noise	2-55	(T)
Coin Station	2-55	
Common Channel Signaling	2-55	
Common Line	2-55	
Communications System	2-55	
Customer(s)	2-56	(T)
Customer Designated Premises	2-56	
Customer Message	2-57	
Data Transmission (107 Type) Test Line	2-57	
Decibel	2-57	
Decibel Reference Noise C-Message Weighting	2-58	
Decibel Reference Noise C-Message Referenced to 0	2-58	
Detail Billing	2-58	
Directory Assistance	2-58	
Directory Assistance Location	2-58	
Dominant Carrier	2-58	
Dual Tone Multifrequency Address Signaling	2-59	
Echo Control	2-59	
Echo Path Loss	2-59	
Echo Return Loss	2-59	
Effective 2-Wire	2-60	
Effective 4-Wire	2-60	
End Office Switch	2-60	
End User	2-60	
Entry Switch	2-60	
Envelope Delay Distortion	2-61	
Equal Level Echo Path Loss	2-61	
Exchange	2-61	
Exit Message	2-61	
Expected Measured Loss	2-61	
Extended Area Service	2-61	
Field Identifier	2-62	
First Point of Switching	2-62	
Frequency Shift	2-62	
Grandfathered	2-62	
Host Office	2-62	(T)

Issued: February 28, 2003

Issued By
Laurie A. Maffett

Effective: May 1, 2003 Vice President Regulatory and Government Affairs

Advice No: NV-03-02 Suppl 1

ACCESS SERVICES

CITIZENS TELECOMMUNICATIONS COMPANY OF NEVADA
d/b/a Frontier Communications of Nevada
180 S. Clinton Ave. Rochester, NY 14646
P.U.C.N. Tariff No. A-3

1st Revised Sheet No. 5
Cancels Original Sheet No. 5

TABLE OF CONTENTS (Cont'd)

	Page No.	
2		GENERAL REGULATIONS (Cont'd)
2.6		Definitions (Cont'd)
	2-63	Immediately Available Funds (T)
	2-63	Impedance Balance
	2-64	Impulse Noise
	2-64	Individual Case Basis
	2-64	Initial Address Message
	2-64	Inserted Connection Loss
	2-64	Installation and Repair Technician
	2-64	Interexchange Carrier (IC) or Interexchange Common Carrier
	2-65	Intermodulation Distortion
	2-65	Interstate Communications
	2-65	Intrastate Communications
	2-66	Line Side Connection
	2-66	Local Access and Transport Area
	2-66	Local Tandem Switch
	2-66	Loop Around Test Line
	2-67	Loss Deviation
	2-67	Message
	2-67	Milliwatt (102 Type) Test Line
	2-68	Network Control Signaling
	2-68	Nonsynchronous Test Line
	2-68	North American Numbering Plan (T)

Issued: February 28, 2003

Issued By
Laurie A. Maffett

Effective: May 1, 2003 Vice President Regulatory and Government Affairs

Advice No.: NV-03-02 Suppl 1

ACCESS SERVICES

CITIZENS TELECOMMUNICATIONS COMPANY OF NEVADA
d/b/a Frontier Communications of Nevada
180 S. Clinton Ave. Rochester, NY 14646
P.U.C.N. Tariff No. A-3

1st Revised Sheet No. 6
Cancels Original Sheet No. 6

TABLE OF CONTENTS (Cont'd)

	Page No.	
2. GENERAL REGULATIONS (Cont'd)		
2.6 Definitions (Cont'd)		
Off-hook	2-69	(T)
On-hook	2-69	
Open Circuit Test Line	2-69	
Originating Direction	2-69	
Pay Telephone	2-69	
Phase Jitter	2-69	
Point of Termination	2-69	
Premises	2-70	
Primary Exchange Carrier	2-70	
Release Message	2-70	
Remote Switching Modules	2-70	
Return Loss	2-70	
Registered Equipment	2-70	
Secondary Exchange Carrier	2-70	
Service Switching Point (SSP)	2-71	
Serving Wire Center	2-71	
Seven Digit Manual Test Line	2-71	
Shortage of Facilities or Equipment	2-71	
Short Circuit Test Line	2-71	
Signal-To-C-Notched Noise Ratio	2-71	
Signaling Point	2-72	
Signaling System 7 (SS7)	2-72	
Signaling Transfer Point	2-72	
Signal Transfer Point (STP) Port	2-72	
Singing Return Loss	2-72	
Special Order	2-73	
Subtending End Office of an Access Tandem	2-73	
Synchronous Test Line	2-73	
Terminating Direction	2-73	
Transmission Measuring(105 Type) Test Line/Responder	2-73	
Transmission Path	2-74	
Trunk	2-74	
Trunk Group	2-74	
Trunk Side Connection	2-74	
Two-Wire to Four-Wire Conversion	2-75	

Issued: February 28, 2003

Issued By
Laurie A. Maffett

Effective: May 1, 2003 **Vice President Regulatory and Government Affairs**

Advice No.: NV-03-02 Suppl 1

ACCESS SERVICES

CITIZENS TELECOMMUNICATIONS COMPANY OF NEVADA
d/b/a Frontier Communications of Nevada
180 S. Clinton Ave. Rochester, NY 14646
P.U.C.N. Tariff No. A-3

1st Revised Sheet No. 7
Cancels Original Sheet No. 7

TABLE OF CONTENTS (Cont'd)

	Page No.
2. GENERAL REGULATIONS (Cont'd)	
2.6 Definitions (Cont'd)	
Uniform Service Order Code	2-75 (T)
V and H Coordinates Method	2-75 (T)
Wire Center	2-75 (T)
3. CARRIER COMMON LINE ACCESS SERVICE	3-1
3.1 General Description	3-1
3.2 Limitations	3-2
3.3 Undertaking of the Telephone Company	3-3
3.4 Obligations of the Customer	3-5
3.5 Payment Arrangements	3-7
3.6 Payment of Coin Sent-Paid Monies	3-9
3.7 Rate Regulations	3-11
3.8 Rates and Charges	3-23
4. END USER ACCESS SERVICE	4-1
4.1 General Description	4-1
4.2 Limitations	4-1
4.3 Undertaking of the Telephone Company	4-1
4.4 Obligations of the End User	4-2
4.5 Payment Arrangements and Credit Allowances	4-2
4.6 Rate Regulations	4-3
4.7 Rates and Charges	4-7

Issued: February 28, 2003

Issued By
Laurie A. Maffett

Effective: May 1, 2003

Vice President Regulatory and Government Affairs

Advice No.: NV-03-02 Suppl 1

ACCESS SERVICES

CITIZENS TELECOMMUNICATIONS COMPANY OF NEVADA
d/b/a Frontier Communications of Nevada
180 S. Clinton Ave. Rochester, NY 14646
P.U.C.N. Tariff No. A-3

1st Revised Sheet No. 8
Cancels Original Sheet No. 8

TABLE OF CONTENTS (Cont'd)

	Page No.	
5. ORDERING OPTIONS FOR SWITCHED AND SPECIAL ACCESS SERVICE	5-1	
5.1 General	5-1	
5.1.1 Ordering Conditions	5-1	
5.1.2 Provision of Other Services	5-2	
5.1.3 Special Construction	5-3	
5.2 Access Order	5-3	(T)
5.2.1 Access Order Service Date	5-7	
5.2.2 Access Order Modifications	5-9	
5.2.3 Cancellation of an Access Order	5-14	
5.2.4 Selection of Facilities For Access Orders	5-16	
5.2.5 Minimum Period	5-16	
5.2.6 Minimum Period Charges	5-17	
5.2.7 Shared Use Facilities	5-17	
5.2.8 Access Orders for Services Provided by More Than One Telephone Company	5-18	(T)

Issued: February 28, 2003

Issued By
Laurie A. Maffett

Effective: May 1, 2003 **Vice President Regulatory and Government Affairs**

Advice No.: NV-03-02 Suppl 1

ACCESS SERVICES

CITIZENS TELECOMMUNICATIONS COMPANY OF NEVADA
d/b/a Frontier Communications of Nevada
180 S. Clinton Ave. Rochester, NY 14646
P.U.C.N. Tariff No. A-3

2nd Revised Sheet No. 9
 Cancels 1st Revised Sheet No. 9

TABLE OF CONTENTS (Cont'd)

			Page No.
6.	SWITCHED ACCESS SERVICE		
6.1	General		6-1
6.2	Language Exceptions		6-1 (T)
6.3	Rate Exceptions		6-1 (T)
			(D)

(D)

Issued: May 7, 2012

Issued By
Kenneth Mason

Effective: July 3, 2012

Vice President Government & Regulatory Affairs

Advice No.: NV-12-03

ACCESS SERVICES

CITIZENS TELECOMMUNICATIONS COMPANY OF NEVADA
180 S. Clinton Ave. Rochester, NY 14646
P.U.C.N. Tariff No. A-3

Original Sheet No. 11

TABLE OF CONTENTS (Cont'd)

	Page No.
7. SPECIAL ACCESS SERVICE (Cont'd)	
7.1 General (Cont'd)	
7.1.2 Service Descriptions	7-4
7.1.3 Service Configurations	7-6
7.1.4 Alternate Use	7-10
7.1.5 Special Facilities Routing	7-10
7.1.6 Design Layout Report	7-10
7.1.7 Acceptance Testing	7-10
7.1.8 Ordering Options and Conditions	7-11
7.2 Rate Regulations	7-12
7.2.1 Rate Categories	7-12
7.2.2	7-16
7.2.3 Types of Rates and Charges	7-17
7.2.4 Moves	7-21
7.2.5 Minimum Periods	7-21
7.2.6 Mileage Measurement	7-22
7.2.7 Facility Hubs	7-23
7.2.8 Shared Use Analog and Digital High Capacity Services	7-25
7.3 Surcharge For Special Access Service	7-26
7.3.1 General	7-26
7.3.2 Application	7-26
7.3.3 Exemption of Special Access Service	7-27
7.3.4 Rate Regulations	7-28
7.3.5 Rate	7-29
7.4 Message Station Equipment Recovery Charge	7-30
7.4.1 General	7-30
7.4.2 Rate	7-30
7.5 Metallic Service	7-31
7.5.1 Basic Channel Description	7-31
7.5.2 Technical Specifications Packages	7-31
7.5.3 Channel Interfaces	7-32
7.5.4 Optional Features and Functions	7-32
7.5.5 Rates and Charges	7-33

Issued: February 15, 2002

Issued By

Laurie A. Maffett

Effective: May 1, 2003

Vice President Regulatory and Government Affairs

Advice No.:

ACCESS SERVICES

CITIZENS TELECOMMUNICATIONS COMPANY OF NEVADA
d/b/a Frontier Communications of Nevada
180 S. Clinton Ave. Rochester, NY 14646
P.U.C.N. Tariff No. A-3

1st Revised Sheet No. 12
Cancels Original Sheet No. 12

TABLE OF CONTENTS (Cont'd)

		Page No.	
7.	SPECIAL ACCESS SERVICE (Cont'd)		
	7.6 Telegraph Grade Service	7-35	
	7.6.1 Basic Channel Description	7-35	
	7.6.2 Technical Specifications Packages	7-35	
	7.6.3 Channel Interfaces	7-35	
	7.6.4 Optional Features and Functions	7-35	
	7.6.5 Rates and Charges	7-36	
	7.7 Voice Grade Services	7-38	
	7.7.1 Basic Channel Description	7-38	
	7.7.2 Technical Specifications Package	7-38	
	7.7.3 Channel Interfaces	7-39	
	7.7.4 Optional Features and Functions	7-39	
	7.7.5 Rates and Charges	7-48	
	7.8 Program Audio Service	7-58	
	7.8.1 Basic Channel Description	7-58	
	7.8.2 Technical Specifications Packages	7-58	
	7.8.3 Channel Interfaces	7-58	
	7.8.4 Optional Features and Functions	7-59	
	7.8.5 Rates and Charges	7-60	
	7.9 Video Service	7-64	
	7.9.1 Basic Channel Description	7-64	
	7.9.2 Technical Specifications Packages	7-65	
	7.9.3 Channel Interfaces	7-66	
	7.9.4 Rates and Charges	7-67	
	7.10 Nevada Universal Service Fund (NUSF) Surcharge	7-69	(N)
	7.10.1 General	7-69	
	7.10.2 Rate Regulations	7-69	(N)
	7.11 Digital Data Service	7-69	
	7.11.1 Basic Channel Description	7-69	
	7.11.2 Technical Specification Packages	7-70	(T)
	7.11.3 Channel Interfaces	7-70	
	7.11.4 Optional Features and Functions	7-71	(T)
	7.11.5 Rates and Charges	7-72	

Issued: January 12, 2011

Issued By
Kenneth Mason

Effective: January 1, 2011 Vice President Government and Regulatory Affairs

Advice No.: NV-11-03

ACCESS SERVICES

CITIZENS TELECOMMUNICATIONS COMPANY OF NEVADA
180 S. Clinton Ave. Rochester, NY 14646
P.U.C.N. Tariff No. A-3

Original Sheet No. 13

TABLE OF CONTENTS (Cont'd)

		Page No.
7.	SPECIAL ACCESS SERVICE (Cont'd)	
	7.12 High Capacity Service	7-76
	7.12.1 Basic Channel Description	7-76
	7.12.2 Technical Specifications Packages	7-76
	7.12.3 Channel Interfaces	7-77
	7.12.4 Optional Features and Functions	7-77
	7.12.5 Rates and Charges	7-80
	7.13 Individual Case Filings	7-86
8.	BILLING AND COLLECTION SERVICES	8-1
	8.1 Recording Service	8-1
	8.1.1 General Description	8-1
	8.1.2 Undertaking of the Telephone Company	8-2
	8.1.3 Liability of the Telephone Company	8-4
	8.1.4 Obligations of the Customer	8-5
	8.1.5 Payment Arrangements and Audit Provision	8-6
	8.1.6 Rate Regulations	8-7
	8.2 Message Billing Service	8-8
	8.2.1 General Description	8-8
	8.2.2 Undertaking of the Telephone Company	8-11
	8.2.3 Liability of the Telephone Company	8-17
	8.2.4 Obligation of the Customer	8-19
	8.2.5 Audit Provisions and Payment Arrangements	8-21
	8.2.6 Rate Regulations	8-24
	8.3 Billing System Information Service	8-29
	8.3.1 General Description	8-29
	8.3.2 Undertaking of the Telephone Company	8-29
	8.3.3 Liability of the Telephone Company	8-31
	8.3.4 Obligations of the Customer	8-31
	8.3.5 Payment Arrangements	8-32
	8.3.6 Rate Regulations	8-33

Issued: February 15, 2002

Issued By
Laurie A. Maffett

Effective: May 1, 2003

Vice President Regulatory and Government Affairs

Advice No.:

ACCESS SERVICES

CITIZENS TELECOMMUNICATIONS COMPANY OF NEVADA
180 S. Clinton Ave. Rochester, NY 14646
P.U.C.N. Tariff No. A-3

Original Sheet No. 14

TABLE OF CONTENTS (Cont'd)

	Page No.
8. BILLING AND COLLECTION SERVICES (Cont'd)	
8.4 Rates and Charges	8-34
8.5 Individual Case Filing	8-46
8.5.1 Reserved for Future Use	8-46
9. DIRECTORY ASSISTANCE SERVICE	9-1
9.1 General Description	9-1
9.2 Undertaking of the Telephone Company	9-1
9.3 Obligations of the Customer	9-8
9.4 Payment Arrangements	9-9
9.5 Rate Regulations	9-12
9.6 Rates and Charges	9-13
10. SPECIAL FEDERAL GOVERNMENT ACCESS SERVICES	10-1
10.1 General	10-1
10.2 Emergency Conditions	10-1
10.3	10-2
10.4	10-2

Issued: February 15, 2002

Issued By
Laurie A. Maffett

Effective: May 1, 2003

Vice President Regulatory and Government Affairs

Advice No.:

ACCESS SERVICES

CITIZENS TELECOMMUNICATIONS COMPANY OF NEVADA
180 S. Clinton Ave. Rochester, NY 14646
P.U.C.N. Tariff No. A-3

Original Sheet No. 15

TABLE OF CONTENTS (Cont'd)

	Page No.
10. SPECIAL FEDERAL GOVERNMENT ACCESS SERVICES (Cont'd)	
10.5 Safeguarding of Service	10-3
10.5.1	10-3
10.5.2 Facility Availability	10-3
10.6 Federal Government Regulations	10-3
10.7	10-3
10.8 Service Offerings to the Federal Government	10-4
10.8.1 Type and Description	10-4
10.8.2 Mileage Application	10-7
10.8.3 Rates and Charges	10-8
11. SPECIAL FACILITIES ROUTING OF ACCESS SERVICES	11-1
11.1 Description of Special Facilities Routing of Access Services	
11-1	
11.1.1 Diversity	11-1
11.1.2 Avoidance	11-1
11.1.3 Cable-Only Facilities	11-1
11.2 Rates and Charges for Special Facilities Routing of Access Service	11-2
11.2.1 Diversity	11-2
11.2.2 Avoidance	11-2
11.2.3 Diversity and Avoidance Combined	11-3
11.2.4 Cable-Only Facilities	11-3
12. SPECIALIZED SERVICE OR ARRANGEMENTS	12-1
12.1 General	12-1
12.2 Rates and Charges	12-1

Issued: February 15, 2002

Issued By
Laurie A. Maffett

Effective: May 1, 2003

Vice President Regulatory and Government Affairs

Advice No.:

ACCESS SERVICES

CITIZENS TELECOMMUNICATIONS COMPANY OF NEVADA
d/b/a Frontier Communications of Nevada
P.O. Box 340 Elk Grove, CA 95759
P.U.C.N. Tariff No. A-3

1st Revised Sheet No. 16
Cancels Original Sheet No. 16

TABLE OF CONTENTS (Cont'd)

	Page No.	
13. ADDITIONAL ENGINEERING, ADDITIONAL LABOR AND MISCELLANEOUS SERVICES	13-1	
13.1 Additional Engineering	13-1	
13.1.1 Charges for Additional Engineering	13-2	
13.2 Additional Labor	13-3	
13.2.1 Overtime Installation	13-3	
13.2.2 Overtime Repair	13-3	
13.2.3 Stand by	13-3	
13.2.4 Testing and Maintenance with Other Telephone Companies	13-4	
13.2.5 Other Labor	13-4	
13.2.6 Charges for Additional Labor	13-5	
13.3 Miscellaneous Services	13-9	
13.3.1 Maintenance of Service	13-9	
13.3.2 Telecommunications Service Priority (TSP)	13-10	(T)
13.3.3 Presubscription	13-10	
13.3.4 Standard Jacks - Registration Program	13-15	
13.3.5 Testing Services	13-27	
13.3.6	13-38	
13.3.7 Protective Connecting Arrangements	13-39	
13.3.8 Miscellaneous Equipment	13-49	
14. EXCEPTIONS TO ACCESS SERVICE OFFERINGS	14-1	
15. INTERFACE GROUPS, TRANSMISSION SPECIFICATIONS AND CHANNEL INTERFACES	15-1	
15.1 Local Transport Interface Groups	15-1	
15.1.1 Interface Group 1	15-1	
15.1.2 Interface Group 2	15-2	
15.1.3 Interface Group 3	15-2	
15.1.4 Interface Group 4	15-3	
15.1.5 Interface Group 5	15-3	

Issued: August 30, 2007

Issued By
Aloa J. Stevens

Effective: October 24, 2007

Directory Government & External Affairs

Advice No.: NV-07-10

ACCESS SERVICES

CITIZENS TELECOMMUNICATIONS COMPANY OF NEVADA
d/b/a Frontier Communications of Nevada
180 S. Clinton Ave. Rochester, NY 14646
P.U.C.N. Tariff No. A-3

1st Revised Sheet No. 17
Cancels Original Sheet No. 17

TABLE OF CONTENTS (Cont'd)

	Page No.	
15. INTERFACE GROUPS, TRANSMISSION SPECIFICATIONS AND CHANNEL INTERFACES (Cont'd)		
15.1 Local Transport Interface Groups (Cont'd)		
15.1.6 Interface Group 6	15-4	(T)
15.1.7 Interface Group 7	15-4	
15.1.8 Interface Group 8	15-4	
15.1.9 Interface Group 9	15-5	
15.1.10 Interface Group 10	15-6	
15.1.11 Available Premises Interface Codes	15-6	
15.1.12 Supervisory Signaling	15-10	
15.2 Transmission Specifications Switched Access Service	15-11	
15.2.1 Standard Transmission Specifications	15-11	
15.2.2 Data Transmission Parameters	15-19	
15.2.3 WATS Access Line	15-23	
15.3 Special Access Channel Interface Specifications and Network Channel Codes	15-24	
15.3.1 Glossary of Channel Interface Codes and Options	15-24	
15.3.2 Impedance	15-28	
15.3.3 Digital Hierarchy Channel Interface Codes (4DS)	15-29	
15.3.4 Service Designator/Network Channel Code Conversion Table	15-29	
15.3.5 Compatible Channel Interfaces	15-31	(T)
16. PRIMARY EXCHANGE CARRIER AND SECONDARY EXCHANGE CARRIER	16-1	
16.1 General	16-1	
16.2 Billing of Switched Access Service Feature Group A in Extended Area Service Environments	16-1	
16.3 Billing of Switched Access Feature Group B in Access Tandem Environments	16-2	

Issued: February 28, 2003

Issued By
Laurie A. Maffett

Effective: May 1, 2003 Vice President Regulatory and Government Affairs

Advice No.: NV-03-02 Suppl 1

ACCESS SERVICES

CITIZENS TELECOMMUNICATIONS COMPANY OF NEVADA
d/b/a Frontier Communications of Nevada
180 S. Clinton Ave. Rochester, NY 14646
P.U.C.N. Tariff No. A-3

1st Revised Sheet No. 18
Cancels Original Sheet No. 18

TABLE OF CONTENTS (Cont'd)

		Page No.
17.	OPERATOR AND OTHER INTEREXCHANGE CARRIER (IX) FACILITIES SERVICES	17-1
	17.1 General	17-1
	17.2 Rate	17-1
	17.3 Interexchange (IX) Services	17-2
18.	RESERVED FOR FUTURE USE	18-1 (T) (D)
19.	CELLULAR MOBILE TELEPHONE INTERCONNECTION	19-1
	19.1 General	19-1
	19.2 Definitions	19-1
	19.3 General Regulations	19-4
	19.3.1 Obligations of the CMC	19-4
	19.3.2 Minutes of Use (Local Calling Scope - Only)	19-4
	19.3.3 Payments, Deposits, and Termination of Service	19-5
	19.3.4 Directory Listings	19-5
	19.3.5 Directory Assistance	19-5
	19.3.6 Operator Service	19-5
	19.3.7 Service Provisioning	19-5
	19.3.8 Special Service Arrangements	19-5
	19.3.9 General Regulations	19-6
	19.3.10 Telephone Number	19-6
	19.3.11 Service Charges	19-7
	19.3.12 Loss	19-7
	19.3.13 Right of Audit	19-7
	19.3.14 Testing	19-7
	19.3.15 Confidentiality	19-7
	19.4 Description of Service	19-8
	19.5 Features	19-10
	19.5.1 Optional Features - Nonchargeable	19-10
	19.5.2 Optional Features - Chargeable	19-11

Issued: February 4, 2005

Issued By
Alex Harris

Effective: March 16, 2005 Vice President Regulatory and Government Affairs

Advice No.: NV-05-03

ACCESS SERVICES

CITIZENS TELECOMMUNICATIONS COMPANY OF NEVADA
180 S. Clinton Ave. Rochester, NY 14646
P.U.C.N. Tariff No. A-3

Original Sheet No. 19

TABLE OF CONTENTS (Cont'd)

	Page No.
19. CELLULAR MOBILE TELEPHONE INTERCONNECTION, (Cont'd)	
19.6 Rate Regulations	19-11
19.6.1 Originating Connecting Circuits - Type 1 and Type 2A	19-11
19.6.2 Terminating Connection Circuits - Type 1 and Type 2A	19-12
19.6.3 Non-Recurring Charges - Type 1 and Type 2A	19-13
19.6.4 Minimum Monthly Charges - Type 1 and Type 2A	19-13
19.6.5 Type 2B Connections	19-13
19.7 Rates and Charges - Elko Division and Tonopah Division	19-16
19.7.1 Originating Connecting Circuits - Type 1, Type 2A or Type 2B Circuits	19-16
19.7.2 Terminating Usage Rates	19-17
19.7.3 Non-Recurring Charges	19-17
19.7.4 Telephone Number Groups and Dedicated NXX Charges	19-17
20. INTRASTATE GOVERNMENTAL ACCESS SERVICES	
20.1 General Description	20-1
20.2 Service Descriptions	20-1
20.3 Rate Regulations	
20.3.1 Mileage Applications	20-2
20.3.2 Cancellation	20-2
20.3.3 Rate Application	20-2
20.4 Rates and Charges	
20.4.1 Digital Data Service (56 Kbps)	20-3
20.4.2 High Capacity Service (1.544 Mbps)	20-3

Issued: February 15, 2002

Issued By

Laurie A. Maffett

Effective: May 1, 2003

Vice President Regulatory and Government Affairs

Advice No.:

ACCESS SERVICES

CITIZENS TELECOMMUNICATIONS COMPANY OF NEVADA
180 S. Clinton Ave. Rochester, NY 14646
P.U.C.N. Tariff No. A-3

Original Sheet No. 20

TARIFF INFORMATION AND USE

GENERAL

- This tariff contains rates and regulations applicable to Access Services.

Tariff Sheet Format

- Sheet Numbering. Sheet numbers are located in the upper right corner of each tariff sheet. Sheets are numbered sequentially by section. When a new sheet must be added between existing sheets, a decimal and number is added to the previous sheet number, to sequentially number the new sheet. For example a new sheet between existing sheets 20 and 21 would be numbered 20.1. A new sheet added between sheets 18.1 and 18.2 would be numbered 18.1.1.
- Sheet Revision Numbering. Sheet Revision Numbers are located in the upper right corner of each tariff sheet. This number is the most recent sheet revision on file with the State Commission. Consult the Effective Date on a specific sheet to determine if that sheet is in effect.
- Issue Date. The Issue Date in the lower left corner of each tariff sheet is the date that sheet was filed with the State Commission.
- Effective Date. The Effective Date in the lower right corner is the date the sheet is scheduled to go into effect (at 12:01 AM on that date). This date may be changed by reissuing the sheet.

Tariff Section Numbering

- An alpha-numeric numbering plan is used to number tariff regulations and rates within each section. Each level is subordinate to and dependent on its next higher level. An example of the numbering sequence follows for Section 6:

6.2
6.2.1
6.2.1(B)
6.2.1(B)(2)
6.2.1(B)(2)(a)

Issued: February 15, 2002

Issued By
Laurie A. Maffett

Effective: May 1, 2003

Vice President Regulatory and Government Affairs

Advice No.:

TARIFF INFORMATION AND USE

TARIFF STRUCTURE AND ORGANIZATION

Title Page

- The Title Page provides information regarding the number of the tariff, the class of service provided, the geographical application of the tariff, and the type of facilities used to provide service.

Table of Contents

- The Table of Contents lists the Sections of the Tariff and provides a sheet number at which that Section begins.

Symbols and Abbreviations

- A listing and explanation of tariff coding symbols and abbreviations used in the tariff is provided.

Section No. 1 - Application of Tariff

- States the application and scope of the Access Service tariff.

Section No. 2 - General Regulations

- States the general regulations that apply to the access services offered by this tariff.

Section No. 3 - Carrier Common Line Access Service and Section No. 4 - End User Access Service

- State the specific rates and regulations for Carrier Common Line and End User Access Service, respectively.

Section No. 5 - Ordering Options

- States the rates and regulations for the Ordering Options available for the ordering of switched and special access services.

Issued: February 15, 2002

Issued By

Laurie A. Maffett

Effective: May 1, 2003

Vice President Regulatory and Government Affairs

Advice No.:

ACCESS SERVICES

CITIZENS TELECOMMUNICATIONS COMPANY OF NEVADA
d/b/a Frontier Communications of Nevada
180 S. Clinton Ave. Rochester, NY 14646
P.U.C.N. Tariff No. A-3

1st Revised Sheet No. 22
Cancels Original Sheet No. 22

TARIFF INFORMATION AND USE

TARIFF STRUCTURE AND ORGANIZATION (Cont'd)

Section Nos. 6 through 13

- State the specific rates and regulations for the following Access Services:
 - 6- Switched Access Service
 - 7- Special Access Service
 - 8 - Billing and Collection Services
 - 9 - Directory Assistance Service
 - 10 - Special Federal Government Access Services
 - 11 - Special Federal Routing of Access Services
 - 12 - Specialized Service or Arrangements
 - 13 - Additional Engineering, Additional Labor and Miscellaneous Services

Section No. 14 - Exceptions to Access Service Offerings

- This section is provided to identify those Issuing Carriers who do not provide certain categories of Access Service offered by this tariff.

Section No. 15 - Technical Specifications

- Provides the technical specifications and service parameters of Access Services.

Section No. 16 - Primary Exchange Carrier and Secondary Exchange Carrier

- Conditions relating to billing of Feature Group A (EAS) and Feature Group B Terminating Access.

Section No. 17 - Operator and other Interexchange (IX) Facilities Services

- Terms and conditions and rates for providing Interexchange Facilities Services.

Section No. 18 – Reserved For Future Use

(T) (D)

Issued: February 4, 2005

Issued By
Alex Harris

Effective: March 16, 2005 Vice President Regulatory and Government Affairs

Advice No.: NV-05-03

ACCESS SERVICES

CITIZENS TELECOMMUNICATIONS COMPANY OF NEVADA
180 S. Clinton Ave. Rochester, NY 14646
P.U.C.N. Tariff No. A-3

Original Sheet No. 23

EXPLANATION OF SYMBOLS

- (C) - To signify changed regulation
- (D) - To signify discontinued rate or regulation
- (I) - To signify increase to a rate or charge
- (M) - To signify matter relocated without change
- (N) - To signify new rate or regulation
- (R) - To signify reduction to a rate or charge
- (T) - To signify a change in text but no change in rate or regulation

EXPLANATION OF ABBREVIATIONS

- AC - Alternating Current
- AML - Actual Measured Loss
- ANI - Automatic Number Identification
- AT&T - American Telephone and Telegraph Company
- BD - Business Day
- BHMC - Busy Hour Minutes of Capacity
- CAROT - Centralized Automatic Reporting on Trunks
- CCS - Common Channel Signaling
- CI - Changes Interface
- CNP - Charge Number Parameter
- CO - Central Office
- COCTX - Central Office Centrex
- Cont'd - Continued
- CPE - Customer Provided Equipment
- CPN - Calling Party Number
- CSP - Carrier Selection Parameter
- Ctx - Centrex
- DA - Directory Assistance
- dB - decibel
- dBrnC - Decibel Reference Noise C-Message Weighting
- dBrnCO - Decibel Reference Noise C-Message Weighted O
- dBv - Decibel(s) Relative to 1 Volt (Reference)
- dBvl - Decibel(s) Relating to 1 Volt (Reference)
- DC - Direct Current
- EDD - Envelope Delay Distortion
- ELEPL - Equal Level Echo Path Loss
- EML - Expected Measured Loss
- EPL - Echo Path Loss
- ERL - Echo Return Loss

Issued: February 15, 2002

Issued By
Laurie A. Maffett

Effective: May 1, 2003

Vice President Regulatory and Government Affairs

Advice No.:

ACCESS SERVICES

CITIZENS TELECOMMUNICATIONS COMPANY OF NEVADA
d/b/a Frontier Communications of Nevada
P.O. Box 340, Elk Grove, CA 95759
P.U.C.N. Tariff No. A-3

*Original Sheet No. 24

EXPLANATION OF ABBREVIATIONS (Cont'd)

ESS	-	Electronic Switching System	(L)
ESSX	-	Electronic Switching System Exchange	
f	-	frequency	
F.C.C.	-	Federal Communications Commission	
FID	-	Field Identifier	
FX	-	Foreign Exchange	
HC	-	High Capacity	
Hz	-	Hertz	
IC	-	Intrastate Customer	
ICB	-	Individual Case Basis	
ICL	-	Inserted Connection Loss	
IX	-	Interexchange	
kbps	-	kilobits per second	
kHz	-	kilohertz	
LATA	-	Local Access and Transport Area	
Ma	-	milliamperes	
Mbps	-	Megabits per second	
MHz	-	Megahertz	
MMUC	-	Minimum Monthly Usage Charge	
MRC	-	Monthly Recurring Charge	
MT	-	Metallic	
MTS	-	Message Telecommunications Service(s)	
NPA	-	Numbering Plan Area	
NRC	-	Non-Recurring Charge	
NTS	-	Non-Traffic Sensitive	
NXX	-	Three-Digit Central Office Code	
OTPL	-	Zero Transmission Level Point	
PA	-	Program Audio	
PBX	-	Private Branch Exchange	
PCM	-	Pulse Code Modulation	
PLR	-	Private Line Ringdown	
POT	-	Point of Termination	
P.U.C.	-	Public Utilities Commission of Nevada	
rms	-	root-mean-square	
RSM	-	Remote Switching Modules	
RSS	-	Remote Switching Systems	
SNAL	-	Signaling Network Access Line	
SP	-	Signaling Point	
SPOI	-	Signaling Point of Interface	
SRL	-	Singing Return Loss	(L)

* Correct Sheet Number from Original Sheet No. 25 to Original Sheet No. 24. (N)

Issued: February 20, 2008

Issued By
Aloa J. Stevens

Effective: Director Government & External Affairs

Advice No.: NV-08-01 Supplemental 1

ACCESS SERVICES

CITIZENS TELECOMMUNICATIONS COMPANY OF NEVADA
d/b/a Frontier Communications of Nevada
P.O. Box 340, Elk Grove, CA 95759
P.U.C.N. Tariff No. A-3

1st Revised Sheet No. 25
***Cancels Original Sheet No. 25**

EXPLANATION OF ABBREVIATIONS (Cont'd)

SSN	-	Switched Service Network
SWC	-	Serving Wire Center
SSP	-	Service Switching Point
SS7	-	Signaling System 7
STP	-	Signal Transfer Point
TES	-	Telephone Exchange Service(s)
TG	-	Telegraph Grade
TLP	-	Transmission Level Point
TSPS	-	Traffic Service Position System
TV	-	Television
USOC	-	Uniform Service Order Code
VG	-	Voice Grade
V & H	-	Vertical & Horizontal
WA	-	Wideband Analog
WATS	-	Wide Area Telecommunications Service(s)
WD	-	Wideband Digital

* Correct Sheet Number from Original Sheet No. 26 to 1st Revised Sheet No. 25.

(N)

Issued: February 20, 2008

Issued By

Aloa J. Stevens

Effective:

Director Government & External Affairs

Advice No.: NV-08-01 Supplemental 1

ACCESS SERVICES

CITIZENS TELECOMMUNICATIONS COMPANY OF NEVADA
d/b/a Frontier Communications of Nevada
P.O. Box 340, Elk Grove, CA 95759
P.U.C.N. Tariff No. A-3

5th Revised Sheet No. 26
Cancels 4th Revised Sheet No. 26

SUMMARY OF RATE ELEMENTS
ELKO DIVISION

<u>Element</u>	<u>IntraLATA</u>	<u>InterLATA</u>	<u>Tariff Ref.</u>		
			<u>Sect.</u>	<u>Page</u>	
Section No. 3					
CARRIER COMMON LINE ACCESS SERVICE					
Carrier Common Line Premium, per minute – Non 800/888	0	0	3	23	(C)
Carrier Common Line Premium, per minute – 800/888	*	*			(N)
Carrier Common Line Non-Premium, per minute – Non 800/888	0	0	3	23	(C)
Carrier Common Line Non-Premium, per minute – 800/888	*	*			(N)
Section No. 4					
END USER ACCESS SERVICE					
Single Line Res. & Bus EUCL	0	0	4	7	
Multiline Bus. EUCL	0	0	4	7	
Section No. 5					
ORDERING OPTIONS FOR SWITCHED ACCESS SERVICE					
Service Data Change Charge, per order	36.44	38.03	5	11	
Design Change Charge, per order	26.71	27.88	5	12	
Section No. 6					
SWITCHED ACCESS					
	<u>Originating</u>	<u>Terminating*</u>			
Local Switching (LS1) – Non 800/888	\$0.02225185		6	1	(C)
Local Switching (LS2) – Non 800/888	\$0.02225185		6	1	(C)
Transitional (LS) Nprem Terminating	0		6	1	
Switched 56K pbs	0		6	1	
Shared Trunk Port Charge – per MOU – Non 800/888	\$0.00104073		6	1	(C)
Multiplexers – (Trunk Side of End Office)					
– per MOU – Non 800/888	\$0.000100		6	1	(C)
Tandem Switched Transport – Non 800/888	\$0.02082557		6	1	(C)
Tandem Switched Transport Facility – Non 800/888	\$0.00284766		6	1	(C)
Tandem Switching – Non 800/888	\$0.00017103		6	1	(C)
Network Blocking – per Blocked Call (InterLATA)	\$0.01010		6	1	
Network Blocking – per Blocked Call (IntraLATA)	\$0.0097		6	1	
800 Data Base query, Basic	*		6	1	(C)

* See Frontier Telephone Companies Tariff FCC No. 1 for rates. (C)

Issued: May 11, 2021

Issued By
Senior Vice President
Regulatory Affairs

Effective: July 1, 2021

Advice No.: NV-21-05

ACCESS SERVICES

CITIZENS TELECOMMUNICATIONS COMPANY OF NEVADA
d/b/a Frontier Communications of Nevada
P.O. Box 340, Elk Grove, CA 95759
P.U.C.N. Tariff No. A-3

2nd Revised Sheet No. 27
Cancels 1st Revised Sheet No. 27

SUMMARY OF RATE ELEMENTS
ELKO DIVISION

<u>Element</u>	<u>IntraLATA</u>	<u>InterLATA</u>	<u>Tariff Ref.</u>	
			<u>Sect.</u>	<u>Page</u>
Special Access Surcharge, per month	0	0	7	29
Message Station Eq. Rec. Charge, per month	0	0	7	30
Metallic: Channel Termination, per month, per term	27.7000	77.1600	7	33
Metallic: Channel Termination - NR	138.5700	386.0700	7	33
Inside Wire Charge, per month, per term	9.1400	25.4700	7	33
Metallic Ser. Chan. Mileage Fac., per mile	10.0400	29.9600	7	33
Bridging:			7	33
Features - Bridge - 3 Prem., per month, per port	6.9800	19.4600	7	33
Series Bridge, per month, per port	6.9800	19.4600	7	33
Telegraph: Channel Term - 2w, per month, per term	32.3600	90.1500	7	36
Channel Term - 2w, NR	138.5700	386.0700	7	36
Channel Term - 4w, per month, per term	50.3600	140.3200	7	36
Channel Term - 4w, NR	138.5700	386.0700	7	36
Inside Wire, per month, per term	9.1400	25.4700	7	36
Channel Mileage Facility, per mile	2.9400	8.2000	7	36
Channel Mileage Termination, per term	54.6200	152.1900	7	36
Telegraph and Bridging:			7	36
Features - Bridge 2-4 port - 2w, per month, per port	6.9800	19.4600	7	36
Features - Bridge 2-4 port - 4w, per month, per port	6.9800	19.4600	7	36
Voice Grade: Channel Term - 2w, per month, per term	40.8800	113.8900	7	48
Channel Term - 2w, NR	142.6800	397.5300	7	48
Channel Term - 4w, per month, per term	58.8800	164.0600	7	48
Channel Term - 4w, NR	142.6800	397.5300	7	48

(D)

(D)

Section No. 7
SPECIAL ACCESS

Issued: May 7, 2012

Issued By
Kenneth Mason

Effective: July 3, 2012

Vice President Government & Regulatory Affairs

Advice No.: NV-12-03

ACCESS SERVICES

CITIZENS TELECOMMUNICATIONS COMPANY OF NEVADA
180 S. Clinton Ave. Rochester, NY 14646
P.U.C.N. Tariff No. A-3

Original Sheet No. 28

**SUMMARY OF RATE ELEMENTS
 ELKO DIVISION**

<u>Element</u>	<u>IntraLATA</u>	<u>InterLATA</u>	<u>Tariff Ref.</u>	
			<u>Sect.</u>	<u>Page</u>
Section No. 7				
SPECIAL ACCESS (Cont'd)				
Inside Wire, per month, per term	9.1400	25.4700	7	48
Channel Mileage Facility, per mile	2.9400	8.2000	7	48
Channel Mileage Termination, per month, per term	54.6200	152.1900	7	48
Voice Bridging 2-4 Port 2w, per month, per port	6.9800	19.4600	7	48
Voice Bridging 2-4 Port 4w, per month, per port	6.9800	19.4600	7	48
Data Bridging 2-4 Port 2w, per month, per port	6.9800	19.4600	7	49
Data Bridging 2-4 Port 4w, per month, per port	6.9800	19.4600	7	49
Telephoto Bridging 2-4 Port 2w, per month, per port	6.9800	19.4600	7	49
Telephoto Bridging 2-4 Port 4w, per month, per port	6.9800	19.4600	7	49
Dataphone Selector Br seq - 2w, per mo., per conn ch.	38.8100	108.1300	7	49
Dataphone Selector Br seq - 4w, per mo., per conn ch.	206.2100	574.5200	7	49
Dataphone Selector Br addr-2w, per mo., per conn ch.	41.6100	115.9200	7	50
Dataphone Selector Br addr-4w, per mo., per conn ch.	211.8400	590.2100	7	50
Telemetry & Alarm Br Act., per month per channel	14.7000	40.9500	7	50
Telemetry & Alarm Br Addr. sum per mo., per conn ch	2.5000	6.9800	7	50
Passive Br, per month, per conn ch.	0.3700	1.0200	7	50
Conditioning C - type, per month, per term	10.4000	28.9800	7	50
Improved Return loss - 2w, per month, per term	3.0900	8.6100	7	51
Improved Return loss - 4w, per month, per term	3.0900	8.6100	7	51
Multiplexing Voice to Teleg., per mo., per arrang	396.2400	1103.9700	7	51
Data CAP, per month per term.	2.3200	6.4700	7	51
Data CAP - NR	427.7800	1191.8300	7	51
Telephoto CAP, per month, per term	5.1400	14.3100	7	51
Telephoto CAP - NR	427.7800	1191.8300	7	51
Signaling CAP, per month, per term	24.0200	66.9300	7	52
Selective Signaling, per month, per arrangement	25.6800	71.5600	7	52
Transfer Arrangement, per month, per four port arr.	5.4800	15.2800	7	52
Transfer Arr. per 5 port., per month	12.5200	34.8900	7	52
Public Packet SW, per month	ICB	ICB	7	52
Program Audio: Chan. Term - Monthly rates:			7	60
200-3500 HZ, Chan. Term - Monthly rate, per term	35.7800	99.6800	7	60
100-5000 HZ, Chan. Term - Monthly rate, per term	69.2300	192.8800	7	60
50-8000 HZ, Chan. Term - Monthly rate, per term	67.4400	187.9800	7	60
50-15000 HZ, Chan. Term - Monthly rate, per term	104.7700	291.9000	7	60
200-3500 HZ, Chan. Term - NR	89.9400	250.5900	7	60

Issued: February 15, 2002

**Issued By
 Laurie A. Maffett**

Effective: May 1, 2003

Vice President Regulatory and Government Affairs

Advice No.:

ACCESS SERVICES

CITIZENS TELECOMMUNICATIONS COMPANY OF NEVADA
d/b/a Frontier Communications of Nevada
P.O. Box 340, Elk Grove, CA 95759
P.U.C.N. Tariff No. A-3

1st Revised Sheet No. 29
Cancels Original Sheet No. 29

SUMMARY OF RATE ELEMENTS
ELKO DIVISION

<u>Element</u>	<u>IntraLATA</u>	<u>InterLATA</u>	<u>Tariff Ref.</u>	
			<u>Sect.</u>	<u>Page</u>
Section No. 7				
SPECIAL ACCESS (Cont'd)				
100-5000 HZ, Chan. Term - NR	89.9400	250.5900	7	60
50-8000 HZ, Chan. Term - NR	89.9400	250.5900	7	60
50-15000 HZ, Chan. Term - NR	89.9400	250.5900	7	60
Program Audio: Chan. Term - Daily rates:			7	60
200-3500 HZ, Chan. Term - Daily rate, per term	3.5800	9.9800	7	60
100-5000 HZ, Chan. Term - Daily rate, per term	6.9300	19.3000	7	60
50-8000 HZ, Chan. Term - Daily rate, per term	6.7500	18.7900	7	60
50-15000 HZ, Chan. Term - Daily Rate, per term	10.4800	29.1800	7	60
200-3500 HZ, Chan. Term - Daily rate - NR	89.9400	250.5900	7	60
100-5000 HZ, Chan. Term - Daily rate - NR	89.9400	250.5900	7	60
50-8000 HZ, Chan. Term - Daily rate - NR	89.9400	250.5900	7	60
50-15000 HZ, Chan. Term - Daily rate - NR	89.9400	250.5900	7	60
Inside Wire - Monthly rate, per term	9.1400	25.4700	7	60
Inside Wire - Daily rate, per term	0.9100	2.5500	7	60
Channel Mileage Facility: Monthly Rates:			7	60
200-3500 HZ, monthly rate, per mile	5.2500	14.6200	7	60
100-5000 HZ, monthly rate, per mile	8.4600	23.5800	7	60
50-8000 HZ, monthly rate, per mile	11.2800	31.4300	7	60
50-15000 HZ, monthly rate, per mile	20.8000	57.9600	7	60
Channel Mileage Facility: Daily Rates:			7	60
200-3500 HZ, Daily rate, per mile	0.5300	1.4800	7	60
100-5000 HZ, Daily rate, per mile	0.8400	2.3400	7	60
50-8000 HZ, Daily rate, per mile	1.1300	3.1600	7	60
50-15000 HZ, Daily rate, per mile	2.0800	5.8100	7	60
Channel Mileage Termination: Monthly Rates:			7	60
200-3500 HZ, Monthly rate, per term	53.4500	148.9300	7	60
100-5000 HZ, Monthly rate, per term	56.3600	157.0300	7	60
50-8000 HZ, Monthly rate, per term	62.0800	172.9700	7	61
50-15000 HZ, Monthly rate, per term	81.3100	226.5500	7	61
Channel Mileage Termination: Daily Rates:			7	60
200-3500 HZ, Daily rate, per term	5.3400	14.8700	7	60
100-5000 HZ, Daily rate, per term	5.6300	15.6900	7	60
50-8000 HZ, Daily rate, per term	6.2200	17.3200	7	61
50-15000 HZ, Daily rate, per term	8.1400	22.6700	7	61
Bridging Amp, Monthly rate, per port	35.0100	97.5400	7	61
Bridging Amp, Daily rate, per port	3.5100	9.7800	7	61

(T)

Issued: February 7, 2008

Issued By
Aloa J. Stevens

Effective: February 22, 2008

Director Government & External Affairs

Advice No.: NV-08-01

ACCESS SERVICES

CITIZENS TELECOMMUNICATIONS COMPANY OF NEVADA
d/b/a Frontier Communications of Nevada
P.O. Box 340, Elk Grove, CA 95759
P.U.C.N. Tariff No. A-3

8th Revised Sheet No. 30
Cancels 7th Revised Sheet No. 30

SUMMARY OF RATE ELEMENTS
ELKO DIVISION

<u>Element</u>	<u>Tariff Ref.</u>	<u>InterLATA</u>	<u>Sect.</u>	<u>Page</u>
	<u>IntraLATA</u>			
Section No. 7				
SPECIAL ACCESS (Cont'd)				
Gain Conditioning per service, monthly rate	10.4000	28.9800	7	61
Gain Conditioning per service, daily rate	1.0200	2.8500	7	61
Gain Conditioning per service, monthly rate - NR	299.8100	835.3000	7	61
Gain Conditioning per service, daily rate - NR	299.8100	835.3000	7	61
Stereo, per service - NR (Daily or Monthly)	659.9400	1838.6800	7	61
Video:			7	67
Channel Termination TV 1 or 2, mo. rate, per term	703.8000	1960.8700	7	67
Channel Termination 4TV-5, monthly rate, per term	686.6700	1913.1500	7	67
Channel Termination 6TV-5, monthly rate, per term	729.6300	2032.8400	7	67
Channel Termination TV-15, monthly rate, per term	757.3100	2109.9500	7	67
Channel Termination TV 1 or 2, Daily rate, per term	387.0800	1078.4600	7	67
Channel Termination 4TV-5, Daily rate, per term	377.6700	1052.2200	7	67
Channel Termination 6TV-5, Daily rate, per term	401.3000	1118.0800	7	67
Channel Termination TV-15, Daily rate, per term	416.5100	1160.4600	7	67
Channel Mileage Facility TV 1 or 2, mo. rate, per mile	644.6200	1796.0000	7	67
Channel Mileage Facility 4TV-5, mo. rate, per mile	644.6200	1796.0000	7	67
Channel Mileage Facility 6TV-5, mo. rate, per mile	644.6200	1796.0000	7	67
Channel Mileage Facility TV-15, mo. rate, per mile	644.6200	1796.0000	7	67
Channel Mileage Facility TV 1 or 2, daily rate per mi	354.5400	987.7900	7	67
Channel Mileage Facility 4TV-5, daily rate, per mile	354.5400	987.7900	7	67
Channel Mileage Facility 6TV-5, daily rate, per mile	354.5400	987.7900	7	67
Channel Mileage Facility TV-15, daily rate, per mile	354.5400	987.7900	7	67
Channel Mileage Termination: Monthly rates:			7	67
TV 1 or 2, monthly rate, per term	686.6000	1912.9400	7	67
4TV - 5, monthly rate, per term	686.6000	1912.9400	7	67
6TV - 5, monthly rate, per term	686.6000	1912.9400	7	67
TV - 15, monthly rate, per term	686.6000	1912.9400	7	67
Channel Mileage Termination: Daily rates:			7	67
TV 1 or 2, daily rate, per term	377.6300	1052.1200	7	67
4TV - 5, daily rate, per term	377.6300	1052.1200	7	67
6TV - 5, daily rate, per term	377.6300	1052.1200	7	67
TV - 15, daily rate, per term	377.6300	1052.1200	7	67
Nevada Universal Service Fund (NUSF) Surcharge	0.2827%	0.2827%	7	69

(I)

Issued: November 21, 2018

Issued By

Allison Ellis

Effective: January 1, 2019

Senior Vice President

Regulatory Affairs

Advice No.: NV_19_03

ACCESS SERVICES

CITIZENS TELECOMMUNICATIONS COMPANY OF NEVADA
180 S. Clinton Ave. Rochester, NY 14646
P.U.C.N. Tariff No. A-3

Original Sheet No. 31

**SUMMARY OF RATE ELEMENTS
ELKO DIVISION**

<u>Element</u>	<u>IntraLATA</u>	<u>InterLATA</u>	<u>Tariff Ref.</u>	<u>Page</u>
			<u>Sect.</u>	<u>Page</u>
Section No. 7				
SPECIAL ACCESS (Cont'd)				
Digital Data: Monthly rates:			7	72
Channel Term. 2.4 Kbps, monthly rate, per term	127.9700	356.5300	7	72
Channel Term. 4.8 Kbps, monthly rate, per term	127.9700	356.5300	7	72
Channel Term. 9.6 Kbps, monthly rate, per term	127.9700	356.5300	7	72
Channel Term. 56.0 Kbps, monthly rate, per term	187.9700	523.6900	7	72
Non Recurring: Channel Term.			7	72
Channel Term. 2.4 Kbps - NR	270.5600	753.8100	7	72
Channel Term. 4.8 Kbps - NR	270.5600	753.8100	7	72
Channel Term. 9.6 Kbps - NR	270.5600	753.8100	7	72
Channel Term. 56.0 Kbps - NR	409.4900	1140.9000	7	72
Inside Wire: Monthly rates, per term	9.1400	25.4700	7	72
Channel Mileage Fac. 2.4 Kbps, mo. rate, per mile	3.5500	9.8800	7	72
Channel Mileage Fac. 4.8 Kbps, mo. rate, per mile	3.5500	9.8800	7	72
Channel Mileage Fac. 9.6 Kbps, mo. rate, per mile	3.4600	9.6300	7	72
Channel Mileage Fac. 56.0 Kbps, mo. rate, per mile	6.4700	18.0300	7	72
Channel Mileage Term. 2.4 Kbps, mo. rate, per term	164.5100	458.3500	7	72
Channel Mileage Term. 4.8 Kbps, mo. rate, per term	164.5100	458.3500	7	72
Channel Mileage Term. 9.6 Kbps, mo. rate, per term	191.1300	532.5000	7	72
Channel Mileage Term. 56.0 Kbps, mo. rate, per term	363.6500	1013.1600	7	72
Optional Features and Functions:			7	73
Bridging, monthly rate, per port	43.4500	121.0700	7	73
Loop Transfer, monthly rate, per four port arrangement	10.9000	30.3600	7	73
Public Pocket SW 9.6 Kbps, per arrangement	ICB	ICB	7	73
Public Pocket SW 56.0 Kbps, per arrangement	ICB	ICB	7	73
Channel Service Unit: Monthly rates:			7	73
2.4 Kbps, monthly rate, per term	30.0000	83.5800	7	73
4.8 Kbps, monthly rate, per term	32.0600	89.3400	7	73
9.6 Kbps, monthly rate, per term	33.6400	93.7200	7	73
56.0 Kbps, monthly rate, per term	35.0400	97.6400	7	73
High Capacity: Monthly rates:			7	80
Channel Termination:			7	80
1.544 Mbps, monthly rate, per term	351.1400	978.3200	7	80
3.152 Mbps, monthly rate, per term	ICB	ICB	7	80
6.312 Mbps, monthly rate, per term	ICB	ICB	7	80
44.736 Mbps, monthly rate, per term	ICB	ICB	7	80
274.175 Mbps, monthly rate, per term	ICB	ICB	7	80

Issued: February 15, 2002

**Issued By
Laurie A. Maffett**

Effective: May 1, 2003

Vice President Regulatory and Government Affairs

Advice No.:

ACCESS SERVICES

CITIZENS TELECOMMUNICATIONS COMPANY OF NEVADA
180 S. Clinton Ave. Rochester, NY 14646
P.U.C.N. Tariff No. A-3

Original Sheet No. 32

**SUMMARY OF RATE ELEMENTS
 ELKO DIVISION**

<u>Element</u>	<u>IntraLATA</u>	<u>InterLATA</u>	<u>Tariff Ref.</u>	
			<u>Sect.</u>	<u>Page</u>
Section No. 7				
SPECIAL ACCESS (Cont'd)				
Non Recurring			7	80
Channel Termination:			7	80
1.544 Mbps, NR	659.9400	1838.6800	7	80
3.152 Mbps, NR	ICB	ICB	7	80
6.312 Mbps, NR	ICB	ICB	7	80
44.736 Mbps, NR	ICB	ICB	7	80
274.175 Mbps, NR	ICB	ICB	7	80
Channel Mileage Facility per mile: monthly rates:			7	80
64Kbps, per mile, monthly rate	2.0800	5.8100	7	80
1.544 Mbps per mile, monthly rate	51.4600	143.3800	7	80
3.152 Mbps per mile, monthly rate	ICB	ICB	7	80
6.312 Mbps per mile, monthly rate	ICB	ICB	7	80
44.736 Mbps per mile, monthly rate	ICB	ICB	7	80
274.175 Mbps per mile, monthly rate	ICB	ICB	7	80
Channel Mileage Termination: monthly rates:			7	80
64Kbps, per term, monthly rate	28.6600	79.8600	7	80
1.544 Mbps per term, monthly rate	287.3200	800.5100	7	80
3.152 Mbps per term, monthly rate	ICB	ICB	7	80
6.312 Mbps per term, monthly rate	ICB	ICB	7	80
44.736 Mbps per term, monthly rate	ICB	ICB	7	80
274.175 Mbps per term, monthly rate	ICB	ICB	7	80
Functions - Multiplexing:			7	81
DS4 - DS1, monthly rate, per arrangement	ICB	ICB	7	81
DS3 - DS1, monthly rate, per arrangement	ICB	ICB	7	81
DS2 - DS1, monthly rate, per arrangement	ICB	ICB	7	81
DS1C - DS1, monthly rate, per arrangement	ICB	ICB	7	81
DS1 - Voice, monthly rate, per arrangement	581.3200	1619.6200	7	81
DS1 - DS0, monthly rate, per arrangement	1007.8700	2808.0400	7	81
DS0 to Subrate up to 20-2.4 Kbps, mo. rate, per arr.	824.2500	2296.4700	7	81
DS0 to Subrate up to 10-4.8 Kbps, mo. rate, per arr.	424.8300	1183.6300	7	81
DS0 to Subrate up to 5-9.6 Kbps, mo. rate, per arr.	295.3500	822.8700	7	81
Auto loop Transfer per arrang., monthly rate	709.8500	1977.7300	7	82
Transfer Arr. Activated per four port arr., mo. rate	301.6400	840.3900	7	82
Network Channel Termination per term, monthly rate	154.8600	431.4500	7	82
Auto loop Transfer per term, monthly rate	1634.3400	4553.4600	7	82

Issued: February 15, 2002

Issued By

Laurie A. Maffett

Effective: May 1, 2003

Vice President Regulatory and Government Affairs

Advice No.:

ACCESS SERVICES

CITIZENS TELECOMMUNICATIONS COMPANY OF NEVADA
180 S. Clinton Ave. Rochester, NY 14646
P.U.C.N. Tariff No. A-3

Original Sheet No. 33

**SUMMARY OF RATE ELEMENTS
 ELKO DIVISION**

<u>Element</u>	<u>IntraLATA</u>	<u>InterLATA</u>	<u>Tariff Ref.</u>	
			<u>Sect.</u>	<u>Page</u>
Section No. 8				
BILLING AND COLLECTION SERVICES				
Billing & Collection:			8	34-39
Composite Billing & Collection Service	0.2349	0.1644	8	34
Recording Per Message	*	*	8	34
Special Order, per order	29.7400	19.0500	8	34
Assembling and editing, per customer message	*	*	8	34
Provision of customer message detail, per record	ICB	ICB	8	34
Provision of customer message detail, per tape	ICB	ICB	8	34
Data Transmission, per message	ICB	ICB	8	34
Program Development Basic, per hour	69.1100	44.2800	8	35
Program Development Premium, per hour	95.8400	61.4000	8	35
Message Bill Ser. Order, per order	29.7400	19.0500	8	35
Message Processing svc, per message	*	*	8	35
Messages Billed svc, per message	*	*	8	35
Inquiry per message	*	*	8	35
Bills Processed - per bill	*	*	8	36
Program Development Basic, per hour	69.1100	44.2800	8	36
Program Development Premium, per hour	95.8400	61.4000	8	36
Data Transmission CMDS I, per message trans or rec.	*	*	8	36
End User Account Activity, per special order	29.7400	19.0500	8	37
End User Est., per occurrence	ICB	ICB	8	37
Adj. End User Acc.	ICB	ICB	8	37
End User Rate Element Level	ICB	ICB	8	37
End User Rate Structure	ICB	ICB	8	37
CMDS II - message toll sampling	*	*	8	37
Billing System Info. Service:			8	37
Message Summary report	ICB	ICB	8	37
Bill System Info, per special order	ICB	ICB	8	38
Bill System Paper output, per record processed	ICB	ICB	8	38
Mag Tape, per tape	ICB	ICB	8	38
Mag Tape, per Message processed	ICB	ICB	8	38

* Included in combined billing and collection service rate under 8.4.1(A)

Issued: February 15, 2002

**Issued By
 Laurie A. Maffett**

Effective: May 1, 2003

Vice President Regulatory and Government Affairs

Advice No.:

ACCESS SERVICES

CITIZENS TELECOMMUNICATIONS COMPANY OF NEVADA
d/b/a Frontier Communications of Nevada
P.O. Box 340, Elk Grove, CA 95759
P.U.C.N. Tariff No. A-3

1st Revised Sheet No. 34
Cancels Original Sheet No. 34

SUMMARY OF RATE ELEMENTS
ELKO DIVISION

<u>Element</u>	<u>IntraLATA</u>	<u>InterLATA</u>	<u>Tariff Ref.</u>		
			<u>Sect.</u>	<u>Page</u>	
Section No. 8					
BILLING AND COLLECTION SERVICES (Cont'd)					
Fiche output per record	ICB	ICB	8	38	
Program Development Basic, per hour	69.1100	44.2800	8	38	
Program Development Premium, per hour	95.8400	61.4000	8	38	
Data Trans Billing Data, per message	ICB	ICB	8	39	
Marking End User Acc., per account	ICB	ICB	8	39	
Section 9					
DIRECTORY ASSISTANCE SERVICE					
DA: MMUC, per BHMC	N/A	N/A	9	10	
Credit Transitional, per minute	N/A	N/A	9	12	
Credit FG A, B, per minute	N/A	N/A	9	12	
Credit FG C, D, per minute	N/A	N/A	9	12	
DA Charge, per call	N/A	N/A	9	13	
DA Transport, per call	N/A	N/A	9	13	
Section 10					
SPECIAL FEDERAL GOVERNMENT ACCESS SERVICES					
Services to Fed Gov. VG Conditioning:			10	8	(T)
T-3 conditioning, each	ICB	ICB	10	8	
Additional Conditioning, per term.	ICB	ICB	10	8	
Type II G-1, conditioning each	ICB	ICB	10	8	
Type III G-2, conditioning each	ICB	ICB	10	8	
Additional Conditioning, per term.	ICB	ICB	10	8	
Type IV G-3, each	ICB	ICB	10	9	
Additional Conditioning, per term.	ICB	ICB	10	9	
Wide Band Digital			10	9	
Wide Band Type I each	ICB	ICB	10	9	
Wide Band Type II each	ICB	ICB	10	9	
Wide Band Type III each	ICB	ICB	10	9	

Issued: February 7, 2008

Issued By

Aloa J. Stevens

Effective: February 22, 2008

Director Government & External Affairs

Advice No.: NV-08-01

ACCESS SERVICES

CITIZENS TELECOMMUNICATIONS COMPANY OF NEVADA
d/b/a Frontier Communications of Nevada
P.O. Box 340 Elk Grove, CA 95759
P.U.C.N. Tariff No. A-3

3rd Revised Sheet No. 35
Cancels 2nd Revised Sheet No. 35

SUMMARY OF RATE ELEMENTS
ELKO DIVISION

<u>Element</u>	<u>IntraLATA</u>	<u>InterLATA</u>	<u>Tariff Ref.</u>		
			<u>Sect.</u>	<u>Page</u>	
Section No. 11					
SPECIAL FACILITIES ROUTING OF ACCESS SERVICES					
Diversity	ICB	ICB	11	2	
Avoidance	ICB	ICB	11	2	
Diversity and Avoidance	ICB	ICB	11	3	
Cable only Facility	ICB	ICB	11	3	
Section No. 12					
SPECIALIZED SERVICE OR ARRANGEMENTS					
Specialized Services or Arrangements	ICB	ICB	12	1	
Section No. 13					
ADDITIONAL ENGINEERING, ADDITIONAL LABOR, AND MISCELLANEOUS SERVICES					
Engineering, Misc Charges:			13	1	
Misc. service order, per occur.	52.3200	145.7700	13	1	
Additional Engineering Basic, per 1/2 hour	31.6600	88.2200	13	2	
Additional Engineering Overtime, per 1/2 hour	37.5700	104.6700	13	3	
Installation or Repair Telco call out:			13	5	
Additional Labor Basic, per 1/2 hour	30.4600	84.8500	13	5	
Additional Labor Premium, per 1/2 hour	34.8300	97.0300	13	5	
Stand by Labor Basic, per 1/2 hour	25.8700	72.0700	13	5	
Stand by Labor Overtime, per 1/2 hour	30.3500	84.5500	13	5	
Premium Time, per 1/2 hour	34.8300	97.0300	13	5	
Technician Install/ Repair:			13	6	
Testing Basic Repair Tech., per 1/2 hour	25.8700	72.0700	13	6	
Testing Overtime Repair Tech. per 1/2 hour	30.3500	84.5500	13	6	
Testing Premium Repair Tech., per 1/2 hour	34.8300	97.0300	13	6	
Testing Basic Repair CO. Tech., per 1/2 hour	26.2300	73.0900	13	6	
Testing Overtime Repair CO. Tech., per 1/2 hour	31.1100	86.6900	13	6	
Testing Premium Repair CO. Tech., per 1/2 hour	36.0100	100.3400	13	6	
Telecommunications Service Priority (TSP)	112.8700	314.4600	13	10.1	(T)

Issued: February 7, 2008

Issued By

Aloa J. Stevens

Effective: February 22, 2008

Director Government & External Affairs

Advice No.: NV-08-01

ACCESS SERVICES

CITIZENS TELECOMMUNICATIONS COMPANY OF NEVADA
d/b/a Frontier Communications of Nevada
P.O. Box 340, Elk Grove, CA 95759
P.U.C.N. Tariff No. A-3

1st Revised Sheet No. 36
Cancels Original Sheet No. 36

SUMMARY OF RATE ELEMENTS
ELKO DIVISION

<u>Element</u>	<u>IntraLATA</u>	<u>InterLATA</u>	<u>Tariff Ref.</u>		
			<u>Sect.</u>	<u>Page</u>	
Section No. 13					
ADDITIONAL ENGINEERING, ADDITIONAL LABOR, AND MISCELLANEOUS SERVICES (Cont'd)					
Non-Recurring:			13	14	
Presubscription, NR	5.00	5.00	13	15	(T)
Unauthorized PIC Change Charge	10.00	10.00	13	15	
Standard Jack, (A-G in tariff) - NR	18.2800	50.9300	13	17	
3 Line Non Key Jack, (H in tariff) - NR	89.5800	249.5700	13	18	
50 Position Miniature Jack, (A-E in tariff) - NR	292.5000	814.9300	13	19	
Jack for Series Device, (F in tariff) - NR	191.9500	534.8000	13	20	
Jack for 12 Line Bridge, (G in tariff) - NR	182.8100	509.3300	13	20	
Series Jack for Alarms etc., (A-C in tariff) - NR	120.6500	336.1600	13	20	
Weatherproof Jack, NR	219.3700	611.2000	13	20	
Universal Data Jack, (1-2 in tariff) - NR	118.8300	331.0600	13	21	
Multiple Line Universal Jack, - NR	457.0300	1273.3300	13	21	
Multiple Line Universal Jack, - NR	144.4200	402.3700	13	21	
Multiple Line Wall Mount, - NR	82.2600	229.2000	13	22	
Multiple Line Rack Mount, - NR	51.1900	142.6100	13	22	
Switched Access Test:			13	36	
Gain Slope Tests, per test per path	5.6100	15.6400	13	36	
C - Notch Noise, per test per path	5.6100	15.6400	13	36	
1004 Hz 10ss. per test per path	5.6100	15.6400	13	36	
C- Message Noise, per test per path	5.6100	15.6400	13	36	
Balance, per test per path	5.6100	15.6400	13	36	
Protective Connection Arr.:			13	41	
Automatic PCA - 4w, per month	10.6900	29.8000	13	41	
Automatic PCA PBX - 4w, per month	18.4600	51.4400	13	41	
Automatic PCA PBX 4w - NR	159.3200	443.8800	13	41	
PCA for CPE - 2w	ICB	ICB	13	41	
PCA for Answering Dev., per month	9.8700	27.5000	13	41	
PCA for Answering Dev. - NR	56.2100	156.6200	13	41	
Protective conn. arr. various 6 types	ICB	ICB	13	42	
PCA for Termination of CPE tie lines, per month	13.1600	36.6700	13	43	
PCA for Termination of CPE tie lines, NR	39.4900	110.0200	13	43	
PCA PBX, CTX, WATS, per month	17.1800	47.8800	13	43	
PCA PBX, CTX, WATS, NR	14.2600	39.7300	13	43	(T)

Issued: February 7, 2008

Issued By

Aloa J. Stevens

Effective: February 22, 2008

Director Government & External Affairs

Advice No.: NV-08-01

ACCESS SERVICES

CITIZENS TELECOMMUNICATIONS COMPANY OF NEVADA
d/b/a Frontier Communications of Nevada
P.O. Box 340, Elk Grove, CA 95759
P.U.C.N. Tariff No. A-3

2nd Revised Sheet No. 37
Cancels 1st Revised Sheet No. 37

SUMMARY OF RATE ELEMENTS
ELKO DIVISION

<u>Element</u>	<u>IntraLATA</u>	<u>InterLATA</u>	<u>Tariff Ref.</u>		
			<u>Sect.</u>	<u>Page</u>	
Section No. 13					
ADDITIONAL ENGINEERING, ADDITIONAL LABOR, AND MISCELLANEOUS SERVICES (Cont'd)					
PCA - various - 3 types	ICB	ICB	13	44	(T)
Automatic PCA - Trunks, per month	19.1000	53.2200	13	44	
Automatic PCA - Trunks – NR	71.3900	198.8900	13	44	
Automatic PCA - 3 types., per month	ICB	ICB	13	44	
Automatic PCA - conn truck, per month	14.2600	39.7300	13	45	
Automatic PCA - conn truck, NR	71.3900	198.8900	13	45	
Automatic PCA Voice Tran., per month	17.1800	47.8800	13	45	
Automatic PCA Voice Tran. – NR	14.2600	39.7300	13	45	
Automatic PCA - conn. exc line (2 types)	ICB	ICB	13	45	
Controller Arrangement, per month	182.8100	509.3300	13	51	(T)
Section No. 18					
RESERVED FOR FUTURE USE					

Issued: February 7, 2008

Issued By
Aloa J. Stevens

Effective: February 22, 2008

Director Government & External Affairs

Advice No.: NV-08-01

ACCESS SERVICES

CITIZENS TELECOMMUNICATIONS COMPANY OF NEVADA
180 S. Clinton Ave. Rochester, NY 14646
P.U.C.N. Tariff No. A-3

Original Sheet No. 38

**SUMMARY OF RATE ELEMENTS
 ELKO DIVISION**

<u>Element</u>	<u>IntraLATA</u>	<u>InterLATA</u>	<u>Tariff Ref.</u>	
			<u>Sect.</u>	<u>Page</u>
Section No. 19				
CELLULAR MOBILE TELEPHONE INTERCONNECTION				
Originating Connecting Circuits - Type 1, Type 2A or Type 2B Circuits				
Voice Grade, Channel Term - 2w, per month, per term	40.88	113.89	19	16
VG Channel Term - 2w, Non-Recurring	142.68	397.53	19	16
VG Channel Term - 4w, per month, per term	58.88	164.06	19	16
VG Channel Term - 4w, Non-Recurring	142.68	397.53	19	16
VG Channel Mileage Term, per month, per term	54.62	152.19	19	16
VG-Channel Mileage Facility, per month, per mile	2.94	8.20	19	16
DS1 Service, Channel Term, per month, per term	351.14	978.32	19	16
DS1 Channel Term, Non-Recurring	659.94	183.68	19	16
DS1 Channel Mileage Term, per month, per term	287.32	800.51	19	16
DS1 Channel Mileage Facility, per month, per mile	51.46	143.38	19	16
DS1 Optional Features & Functions, Multiplexing:				
DS1 to Voice, per month, per arrangement	581.32	1619.62	19	16
DS1 to DS0, per month, per arrangement	1007.87	2808.04	19	16
Terminating Usage Rates, Types 1, 2A, and 2B:				
Local Calling Scope	0.025	0.025	19	17
Outside the Local Calling Scope	(See IntraLATA toll rates per Citizens Telecommunications Company of Nevada Local Exchange Tariff P.S.C.N. No. 1)		19	17
Telephone Number Groups and Dedicated NXX Charges				
First 100 Numbers assigned, Type 1, NR	185.00	185.00	19	17
Per additional 100 Numbers assigned, Type 1, NR	105.00	105.00	19	17
First 1000 Numbers assigned, Type 1, NR	1375.00	1375.00	19	17
Per additional 1000 Numbers assigned, Type 1, NR	925.00	925.00	19	17
Per Dedicated NXX	8300.00	8300.00	19	17

Issued: February 15, 2002

**Issued By
 Laurie A. Maffett**

Effective: May 1, 2003

Vice President Regulatory and Government Affairs

Advice No.:

ACCESS SERVICES

CITIZENS TELECOMMUNICATIONS COMPANY OF NEVADA
180 S. Clinton Ave. Rochester, NY 14646
P.U.C.N. Tariff No. A-3

Original Sheet No. 39

SUMMARY OF RATE ELEMENTS
ELKO DIVISION

<u>Element</u>	<u>InterLATA</u>	<u>Sect.</u>	<u>Page</u>	<u>IntraLATA</u>	<u>Tariff Ref.</u>
<u>Element</u>	<u>IntraLATA</u>	<u>InterLATA</u>	<u>Sect.</u>	<u>Page</u>	<u>Tariff Ref.</u>
Section No. 20					
INTRASTATE GOVERNMENTAL ACCESS SERVICES					
Digital Data Service Channel Termination	\$ 64.19	\$ 64.19	20	3	
Digital Data Service Channel Mileage (per term)	124.19	124.19	20	3	
Digital Data Service Channel Mileage (per mile)	2.21	2.21	20	3	
High Capacity Service Channel Termination	203.06	203.06	20	3	
High Capacity Service Channel Mileage (per term)	166.16	166.16	20	3	
High Capacity Service Channel Mileage (per mile)	29.76	29.76	20	3	

Issued: February 15, 2002

Issued By

Laurie A. Maffett

Effective: May 1, 2003

Vice President Regulatory and Government Affairs

Advice No.:

ACCESS SERVICES

CITIZENS TELECOMMUNICATIONS COMPANY OF NEVADA
d/b/a Frontier Communications of Nevada
P.O. Box 340, Elk Grove, CA 95759
P.U.C.N. Tariff No. A-3

5th Revised Sheet No. 40
 Cancels 4th Revised Sheet No. 40

SUMMARY OF RATE ELEMENTS
TONOPAH DIVISION

<u>Element</u>	<u>IntraLATA</u>	<u>InterLATA</u>	<u>Tariff Ref.</u>		
			<u>Sect.</u>	<u>Page</u>	
Section No. 3					
CARRIER COMMON LINE ACCESS SERVICE					
Carrier Common Line Premium, per minute – Non 800/888	0	0	3	23	(C)
Carrier Common Line Premium, per minute – 800/888	*	*			(N)
Carrier Common Line Non-Premium, per minute – Non 800/888	0	0	3	23	(C)
Carrier Common Line Non-Premium, per minute – 800/888	*	*			(N)
Section No. 4					
END USER ACCESS SERVICE					
Single Line Res. & Bus EUCL	0	0	4	7	
Multiline Bus. EUCL	0	0	4	7	
Section No. 5					
ORDERING OPTIONS FOR SWITCHED ACCESS SERVICE					
Service Data Change Charge, per order	36.55	27.36	5	11	
Design Change Charge, per order	26.79	20.05	5	12	
Section No. 6					
SWITCHED ACCESS					
	<u>Originating</u>	<u>Terminating*</u>			
Local Switching (LS1) – Non 800/888	\$0.01519302		6	1	(C)
Local Switching (LS2) – Non 800/888	\$0.01519302		6	1	(C)
Transitional (LS) Nprem Terminating	0		6	1	
Switched 56K pbs	0		6	1	
Shared Trunk Port Charge – per MOU – Non 800/888	\$0.00104073		6	1	(C)
Multiplexers – (Trunk Side of End Office					
– per MOU – Non 800/888	\$0.000100		6	1	(C)
Tandem Switched Transport – Non 800/888	\$0.01371829		6	1	(C)
Tandem Switched Transport Facility – Non 800/888	\$0.00065145		6	1	(C)
Tandem Switching – Non 800/888	\$0.00017103		6	1	(C)
Network Blocking – per Blocked Call (InterLATA)	\$0.0073		6	1	
Network Blocking – per Blocked Call (IntraLATA)	\$0.0097		6	1	
800 Data Base query, Basic	*		6	1	(C)

* See Frontier Telephone Companies Tariff FCC No. 1 for rates.

(C)

Issued: May 11, 2021

Issued By
Senior Vice President
Regulatory Affairs

Effective: July 1, 2021

Advice No.: NV-21-05

ACCESS SERVICES

CITIZENS TELECOMMUNICATIONS COMPANY OF NEVADA
d/b/a Frontier Communications of Nevada
P.O. Box 340, Elk Grove, CA 95759
P.U.C.N. Tariff No. A-3

1st Revised Sheet No. 41
Cancels Original Sheet No. 41

TONOPAH DIVISION

<u>Element</u>	<u>IntraLATA</u>	<u>InterLATA</u>	<u>Tariff Ref.</u>	
			<u>Sect.</u>	<u>Page</u>
Special Access Surcharge, per month	0	0	7	29
Message Station Eq. Rec. Charge, per month	0	0	7	30
Metallic: Channel Termination, per month, per term	27.4500	32.6000	7	34
Metallic: Channel Termination - NR	137.3600	63.1100	7	34
Inside Wire Charge, per month, per term	9.0600	10.7600	7	34
Metallic Ser. Chan. Mileage Fac., per mile	9.9500	11.8100	7	34
Bridging:			7	34
Features - Bridge - 3 Prem., per month, per port	6.9200	8.2200	7	34
Series Bridge, per month, per port	6.9200	8.2200	7	34
Telegraph: Channel Term - 2w, per month, per term	32.0700	38.0900	7	37
Channel Term - 2w, NR	137.3600	163.1100	7	37
Channel Term - 4w, per month, per term	49.9200	59.2800	7	37
Channel Term - 4w, NR	137.3600	163.1100	7	37
Inside Wire, per month, per term	9.0600	10.7600	7	37
Channel Mileage Facility, per mile	2.9200	3.4600	7	37
Channel Mileage Termination, per term	54.1500	64.3000	7	37
Telegraph and Bridging:			7	37
Features - Bridge 2-4 port - 2w, per month, per port	6.9200	8.2200	7	37
Features - Bridge 2-4 port - 4w, per month, per port	6.9200	8.2200	7	37
Voice Grade: Channel Term - 2w, per month, per term	40.5200	48.1100	7	53
Channel Term - 2w, NR	141.4300	167.9500	7	53
Channel Term - 4w, per month, per term	58.3700	69.3100	7	53
Channel Term - 4w, NR	141.4300	167.9500	7	53

(D)

(D)

Section No. 7

SPECIAL ACCESS

Issued: May 7, 2012

Issued By

Kenneth Mason

Effective: July 3, 2012

Vice President Government & Regulatory Affairs

Advice No.: NV-12-03

ACCESS SERVICES

CITIZENS TELECOMMUNICATIONS COMPANY OF NEVADA
180 S. Clinton Ave. Rochester, NY 14646
P.U.C.N. Tariff No. A-3

Original Sheet No. 42

**SUMMARY OF RATE ELEMENTS
 TONOPAH DIVISION**

<u>Element</u>	<u>IntraLATA</u>	<u>InterLATA</u>	<u>Tariff Ref.</u>	<u>Page</u>
			<u>Sect.</u>	<u>Page</u>
Section No. 7				
SPECIAL ACCESS (Cont'd)				
Inside Wire, per month, per term	9.0600	10.7600	7	53
Channel Mileage Facility, per mile	2.9200	3.4600	7	53
Channel Mileage Termination, per month, per term	54.1500	64.3000	7	53
Voice Bridging 2-4 Port 2w, per month, per port	6.9200	8.2200	7	53
Voice Bridging 2-4 Port 4w, per month, per port	6.9200	8.2200	7	53
Data Bridging 2-4 Port 2w, per month, per port	6.9200	8.2200	7	54
Data Bridging 2-4 Port 4w, per month, per port	6.9200	8.2200	7	54
Telephoto Bridging 2-4 Port 2w, per month, per port	6.9200	8.2200	7	54
Telephoto Bridging 2-4 Port 4w, per month, per port	6.9200	8.2200	7	54
Dataphone Selector Br seq - 2w, per mo., per conn ch.	38.4700	45.6800	7	54
Dataphone Selector Br seq - 4w, per mo., per conn ch.	204.4000	242.7200	7	54
Dataphone Selector Br addr-2w, per mo., per conn ch.	41.2400	48.9700	7	55
Dataphone Selector Br addr-4w, per mo., per conn ch.	209.9900	249.3500	7	55
Telemetry & Alarm Br Act., per month per channel	14.5700	17.3000	7	55
Telemetry & Alarm Br Addr. sum per mo., per conn ch	2.4800	2.9500	7	55
Passive Br, per month, per conn ch.	0.3600	0.4300	7	55
Conditioning C - type, per month, per term	10.3100	12.2400	7	55
Improved Return loss - 2w, per month, per term	3.0600	3.6400	7	56
Improved Return loss - 4w, per month, per term	3.0600	3.6400	7	56
Multiplexing Voice to Teleg., per mo., per arrang	392.7700	466.4000	7	56
Data CAP, per month per term.	2.3000	2.7300	7	56
Data CAP - NR	424.0300	503.5200	7	56
Telephoto CAP, per month, per term	5.0900	6.0500	7	56
Telephoto CAP - NR	424.0300	503.5200	7	56
Signaling CAP, per month, per term	23.8100	28.2700	7	57
Selective Signaling, per month, per arrangement	25.4600	30.2300	7	57
Transfer Arrangement, per month, per four port arr.	5.4400	6.4600	7	57
Transfer Arr. per 5 port., per month	12.4100	14.7400	7	57
Public Packet SW, per month	ICB	ICB	7	57
Program Audio: Chan. Term - Monthly rates:			7	57
200-3500 HZ, Chan. Term - Monthly rate, per term	35.4600	42.1100	7	62
100-5000 HZ, Chan. Term - Monthly rate, per term	68.6200	81.4900	7	62
50-8000 HZ, Chan. Term - Monthly rate, per term	66.8500	79.3800	7	62
50-15000 HZ, Chan. Term - Monthly rate, per term	103.8500	123.3200	7	62
200-3500 HZ, Chan. Term - NR	89.1600	105.8700	7	62
100-5000 HZ, Chan. Term - NR	89.1600	105.8700	7	62
50-8000 HZ, Chan. Term - NR	89.1600	105.8700	7	62
50-15000 HZ, Chan. Term - NR	89.1600	105.8700	7	62

Issued: February 15, 2002

**Issued By
 Laurie A. Maffett**

Effective: May 1, 2003

Vice President Regulatory and Government Affairs

Advice No.:

ACCESS SERVICES

CITIZENS TELECOMMUNICATIONS COMPANY OF NEVADA
180 S. Clinton Ave. Rochester, NY 14646
P.U.C.N. Tariff No. A-3

Original Sheet No. 43

**SUMMARY OF RATE ELEMENTS
 TONOPAH DIVISION**

<u>Element</u>	<u>IntraLATA</u>	<u>InterLATA</u>	<u>Tariff Ref.</u>	
			<u>Sect.</u>	<u>Page</u>
Section No. 7				
SPECIAL ACCESS (Cont'd)				
Program Audio: Chan. Term - Daily rates:			7	62
200-3500 HZ, Chan. Term - Daily rate, per term	3.5500	4.2200	7	62
100-5000 HZ, Chan. Term - Daily rate, per term	6.8700	8.1600	7	62
50-8000 HZ, Chan. Term - Daily rate, per term	6.6900	7.9400	7	62
50-15000 HZ, Chan. Term - Daily Rate, per term	10.3800	12.3300	7	62
200-3500 HZ, Chan. Term - Daily rate – NR	89.1600	105.8700	7	62
100-5000 HZ, Chan. Term - Daily rate – NR	89.1600	105.8700	7	62
50-8000 HZ, Chan. Term - Daily rate – NR	89.1600	105.8700	7	62
50-15000 HZ, Chan. Term - Daily rate – NR	89.1600	105.8700	7	62
Inside Wire - Monthly rate, per term	9.0600	10.7600	7	62
Inside Wire - Daily rate, per term	0.9100	1.0800	7	62
Channel Mileage Facility: Monthly Rates:			7	62
200-3500 HZ, monthly rate, per mile	5.2000	6.1800	7	62
100-5000 HZ, monthly rate, per mile	8.3900	9.9600	7	62
50-8000 HZ, monthly rate, per mile	11.1800	13.2800	7	62
50-15000 HZ, monthly rate, per mile	20.6200	24.4900	7	62
Channel Mileage Facility: Daily Rates:			7	62
200-3500 HZ, Daily rate, per mile	0.5300	0.6200	7	62
100-5000 HZ, Daily rate, per mile	0.8300	0.9900	7	62
50-8000 HZ, Daily rate, per mile	1.1200	1.3300	7	62
50-15000 HZ, Daily rate, per mile	2.0700	2.4500	7	62
Channel Mileage Termination: Monthly Rates:			7	62
200-3500 HZ, Monthly rate, per term	52.9900	62.9200	7	62
100-5000 HZ, Monthly rate, per term	55.8700	66.3400	7	62
50-8000 HZ, Monthly rate, per term	61.5400	73.0800	7	63
50-15000 HZ, Monthly rate, per term	80.6000	95.7100	7	63
Channel Mileage Termination: Daily Rates:			7	62
200-3500 HZ, Daily rate, per term	5.2900	6.2800	7	62
100-5000 HZ, Daily rate, per term	5.5800	6.6300	7	62
50-8000 HZ, Daily rate, per term	6.1600	7.3200	7	63
50-15000 HZ, Daily rate, per term	8.0600	9.5800	7	63
Bridging Amp, Monthly rate, per port	34.7000	41.2100	7	63
Bridging Amp, Daily rate, per port	3.4800	4.1300	7	63
Gain Conditioning per service, monthly rate	10.3100	12.2400	7	63
Gain Conditioning per service, daily rate	1.0100	1.2100	7	63
Gain Conditioning per service, monthly rate - NR	297.1800	352.9000	7	63
Gain Conditioning per service, daily rate - NR	297.1800	352.9000	7	63
Stereo, per service - NR (Daily or Monthly)	654.1700	776.8000	7	63

Issued: February 15, 2002

**Issued By
 Laurie A. Maffett**

Effective: May 1, 2003

Vice President Regulatory and Government Affairs

Advice No.:

ACCESS SERVICES

CITIZENS TELECOMMUNICATIONS COMPANY OF NEVADA
d/b/a Frontier Communications of Nevada
180 S. Clinton Ave. Rochester, NY 14646
P.U.C.N. Tariff No. A-3

7th Revised Sheet No. 44
Cancels 6th Revised Sheet No. 44

SUMMARY OF RATE ELEMENTS
TONOPAH DIVISION

<u>Element</u>	<u>IntraLATA</u>	<u>InterLATA</u>	<u>Tariff Ref.</u>	
			<u>Sect.</u>	<u>Page</u>
Section No. 7				
SPECIAL ACCESS (Cont'd)				
Video:				
Channel Termination TV 1 or 2, mo. rate, per term	697.6400	828.4200	7	68
Channel Termination 4TV-5, monthly rate, per term	680.6600	808.2600	7	68
Channel Termination 6TV-5, monthly rate, per term	723.2500	858.8300	7	68
Channel Termination TV-15, monthly rate, per term	750.6800	891.4000	7	68
Channel Termination TV 1 or 2, Daily rate, per term	383.6900	455.6200	7	68
Channel Termination 4TV-5, Daily rate, per term	374.3600	444.5400	7	68
Channel Termination 6TV-5, Daily rate, per term	397.7900	472.3600	7	68
Channel Termination TV-15, Daily rate, per term	412.8700	490.2700	7	68
Channel Mileage Facility TV 1 or 2, mo. rate, per mile	638.9800	758.7700	7	68
Channel Mileage Facility 4TV-5, mo. rate, per mile	638.9800	758.7700	7	68
Channel Mileage Facility 6TV-5, mo. rate, per mile	638.9800	758.7700	7	68
Channel Mileage Facility TV-15, mo. rate, per mile	638.9800	758.7700	7	68
Channel Mileage Facility TV 1 or 2, daily rate per mi	351.4400	417.3200	7	68
Channel Mileage Facility 4TV-5, daily rate, per mile	351.4400	417.3200	7	68
Channel Mileage Facility 6TV-5, daily rate, per mile	351.4400	417.3200	7	68
Channel Mileage Facility TV-15, daily rate, per mile	351.4400	417.3200	7	68
Channel Mileage Termination: Monthly rates:			7	68
TV 1 or 2, monthly rate, per term	680.5900	808.1700	7	68
4TV - 5, monthly rate, per term	680.5900	808.1700	7	68
6TV - 5, monthly rate, per term	680.5900	808.1700	7	68
TV - 15, monthly rate, per term	680.5900	808.1700	7	68
Channel Mileage Termination: Daily rates:			7	68
TV 1 or 2, daily rate, per term	374.3300	444.5000	7	68
4TV - 5, daily rate, per term	374.3300	444.5000	7	68
6TV - 5, daily rate, per term	374.3300	444.5000	7	68
TV - 15, daily rate, per term	374.3300	444.5000	7	68
Nevada Universal Service Fund (NUSF) Surcharge	0.2827%	0.2827%	7	69
Digital Data: Monthly rates:			7	74
Channel Term. 2.4 Kbps, monthly rate, per term	126.8500	150.6300	7	74
Channel Term. 4.8 Kbps, monthly rate, per term	126.8500	150.6300	7	74
Channel Term. 9.6 Kbps, monthly rate, per term	126.8500	150.6300	7	74
Channel Term. 56.0 Kbps, monthly rate, per term	186.3200	221.2500	7	74
Non Recurring: Channel Term.			7	74
Channel Term. 2.4 Kbps - NR	268.1900	318.4700	7	74
Channel Term. 4.8 Kbps - NR	268.1900	318.4700	7	74
Channel Term. 9.6 Kbps - NR	268.1900	318.4700	7	74
Channel Term. 56.0 Kbps - NR	405.9100	482.0000	7	74

(I)

Issued: November 21, 2018

Issued By
Allison Ellis

Effective: January 1, 2019

Senior Vice President
Regulatory Affairs

Advice No.: NV_19_03

ACCESS SERVICES

CITIZENS TELECOMMUNICATIONS COMPANY OF NEVADA
180 S. Clinton Ave. Rochester, NY 14646
P.U.C.N. Tariff No. A-3

Original Sheet No. 45

**SUMMARY OF RATE ELEMENTS
TONOPAH DIVISION**

<u>Element</u>	<u>IntraLATA</u>	<u>InterLATA</u>	<u>Tariff Ref.</u>	<u>Page</u>
			<u>Sect.</u>	<u>Page</u>
Section No. 7				
SPECIAL ACCESS (Cont'd)				
Inside Wire: Monthly rates, per term	9.0600	10.7600	7	74
Channel Mileage Fac. 2.4 Kbps, mo. rate, per mile	3.5200	4.1700	7	74
Channel Mileage Fac. 4.8 Kbps, mo. rate, per mile	3.5200	4.1700	7	74
Channel Mileage Fac. 9.6 Kbps, mo. rate, per mile	3.4200	4.0700	7	74
Channel Mileage Fac. 56.0 Kbps, mo. rate, per mile	6.4100	7.6200	7	74
Channel Mileage Term. 2.4 Kbps, mo. rate, per term	163.0700	193.6400	7	74
Channel Mileage Term. 4.8 Kbps, mo. rate, per term	163.0700	193.6400	7	74
Channel Mileage Term. 9.6 Kbps, mo. rate, per term	189.4600	224.9700	7	74
Channel Mileage Term. 56.0 Kbps, mo. rate, per term	360.4600	428.0400	7	74
Optional Features and Functions:			7	75
Bridging, monthly rate, per port	43.0700	51.1500	7	75
Loop Transfer, monthly rate, per four port arrangement	10.8000	12.8200	7	75
Public Pocket SW 9.6 Kbps, per arrangement	ICB	ICB	7	75
Public Pocket SW 56.0 Kbps, per arrangement	ICB	ICB	7	75
Channel Service Unit: Monthly rates:			7	75
2.4 Kbps, monthly rate, per term	29.7400	53.3100	7	75
4.8 Kbps, monthly rate, per term	31.7800	37.7400	7	75
9.6 Kbps, monthly rate, per term	33.3400	39.5900	7	75
56.0 Kbps, monthly rate, per term	34.7400	41.2500	7	75
High Capacity: Monthly rates:			7	83
Channel Termination:			7	83
1.544 Mbps, monthly rate, per term	348.0700	413.3200	7	83
3.152 Mbps, monthly rate, per term	ICB	ICB	7	83
6.312 Mbps, monthly rate, per term	ICB	ICB	7	83
44.736 Mbps, monthly rate, per term	ICB	ICB	7	83
274.175 Mbps, monthly rate, per term	ICB	ICB	7	83
Non-Recurring			7	83
Channel Termination:			7	83
1.544 Mbps, NR	654.1700	776.8000	7	83
3.152 Mbps, NR	ICB	ICB	7	83
6.312 Mbps, NR	ICB	ICB	7	83
44.736 Mbps, NR	ICB	ICB	7	83
274.175 Mbps, NR	ICB	ICB	7	83

* Included in combined billing and collection service rate under 8.4.1(A)

Issued: February 15, 2002

**Issued By
Laurie A. Maffett**

Effective: May 1, 2003

Vice President Regulatory and Government Affairs

Advice No.:

ACCESS SERVICES

CITIZENS TELECOMMUNICATIONS COMPANY OF NEVADA
180 S. Clinton Ave. Rochester, NY 14646
P.U.C.N. Tariff No. A-3

Original Sheet No. 46

**SUMMARY OF RATE ELEMENTS
 TONOPAH DIVISION**

<u>Element</u>	<u>IntraLATA</u>	<u>InterLATA</u>	<u>Tariff Ref.</u>	
			<u>Sect.</u>	<u>Page</u>
Section No. 7				
SPECIAL ACCESS (Cont'd)				
Channel Mileage Facility per mile: monthly rates:			7	83
64Kbps, per mile, monthly rate	2.0700	2.4500	7	83
1.544 Mbps per mile, monthly rate	51.0100	60.5700	7	83
3.152 Mbps per mile, monthly rate	ICB	ICB	7	83
6.312 Mbps per mile, monthly rate	ICB	ICB	7	83
44.736 Mbps per mile, monthly rate	ICB	ICB	7	83
274.175 Mbps per mile, monthly rate	ICB	ICB	7	83
Channel Mileage Termination: monthly rates:			7	83
64Kbps, per term, monthly rate	28.4100	33.7400	7	83
1.544 Mbps per term, monthly rate	284.8100	338.2000	7	83
3.152 Mbps per term, monthly rate	ICB	ICB	7	83
6.312 Mbps per term, monthly rate	ICB	ICB	7	83
44.736 Mbps per term, monthly rate	ICB	ICB	7	83
274.175 Mbps per term, monthly rate	ICB	ICB	7	83
Functions - Multiplexing:			7	84
DS4 - DS1, monthly rate, per arrangement	ICB	ICB	7	84
DS3 - DS1, monthly rate, per arrangement	ICB	ICB	7	84
DS2 - DS1, monthly rate, per arrangement	ICB	ICB	7	84
DS1C - DS1, monthly rate, per arrangement	ICB	ICB	7	84
DS1 - Voice, monthly rate, per arrangement	576.2300	684.2500	7	84
DS1 - DS0, monthly rate, per arrangement	999.0500	1186.3300	7	84
DS0 to Subrate up to 20-2.4 Kbps, mo. rate, per arr.	817.0400	970.2000	7	84
DS0 to Subrate up to 10-4.8 Kbps, mo. rate, per arr.	421.1100	500.0600	7	84
DS0 to Subrate up to 5-9.6 Kbps, mo. rate, per arr.	292.7600	347.6400	7	84
Auto loop Transfer per arrang., monthly rate	703.6400	835.5400	7	85
Transfer Arr. Activated per four port arr., mo. rate	299.0000	355.0500	7	85
Network Channel Termination per term, monthly rate	153.5000	182.2800	7	85
Auto loop Transfer per term, monthly rate	1620.0400	1923.7300	7	85
Section No. 8				
BILLING AND COLLECTION SERVICES				
Billing & Collection:			8	40
Composite Billing & Collection Service	0.2135	0.2270	8	40
Recording Per Message	*	*	8	40

Issued: February 15, 2002

**Issued By
 Laurie A. Maffett**

Effective: May 1, 2003

Vice President Regulatory and Government Affairs

Advice No.:

ACCESS SERVICES

CITIZENS TELECOMMUNICATIONS COMPANY OF NEVADA
180 S. Clinton Ave. Rochester, NY 14646
P.U.C.N. Tariff No. A-3

Original Sheet No. 47

**SUMMARY OF RATE ELEMENTS
 TONOPAH DIVISION**

<u>Element</u>	<u>IntraLATA</u>	<u>InterLATA</u>	<u>Tariff Ref.</u>	
			<u>Sect.</u>	<u>Page</u>
Section No. 8				
BILLING AND COLLECTION SERVICES (Cont'd)				
Special Order, per order	25.9400	31.8200	8	40
Assembling and editing, per customer message	* *		8	40
Provision of customer message detail, per record	ICB	ICB	8	40
Provision of customer message detail, per tape	ICB	ICB	8	40
Data Transmission, per message	ICB	ICB	8	40
Program Development Basic, per hour	60.2800	73.9300	8	41
Program Development Premium, per hour	83.5900	102.5200	8	41
Message Bill Ser. Order, per order	25.9400	31.8200	8	41
Message Processing svc, per message	*	*	8	41
Messages Billed svc, per message	*	*	8	41
Inquiry per message	*	*	8	41
Bills Processed - per bill	*	*	8	42
Program Development Basic, per hour	60.2800	73.9300	8	42
Program Development Premium, per hour	83.5900	102.5200	8	42
Data Transmission CMDS I, per message trans or rec.	*		8	42
End User Account Activity, per special order	25.9400	31.8200	8	43
End User Est., per occurrence	ICB	ICB	8	43
Adj. End User Acc.	ICB	ICB	8	43
End User Rate Element Level	ICB	ICB	8	43
End User Rate Structure	ICB	ICB	8	43
CMDS II - message toll sampling	*	*	8	43
Billing System Info. Service:			8	43
Message Summary report	ICB	ICB	8	43
Bill System Info, per special order	ICB	ICB	8	44
Bill System Paper output, per record processed	ICB	ICB	8	44
Mag Tape, per tape	ICB	ICB	8	44
Mag Tape, per Message processed	ICB	ICB	8	44
Fiche output per record	ICB	ICB	8	44
Program Development Basic, per hour	60.2800	73.9300	8	44
Program Development Premium, per hour	83.5900	102.5200	8	44
Data Trans Billing Data, per message	ICB	ICB	8	45
Marking End User Acc., per account	ICB	ICB	8	45

* Included in combined billing and collection service rate under 8.4.1(A)

Issued: February 15, 2002

**Issued By
 Laurie A. Maffett**

Effective: May 1, 2003

Vice President Regulatory and Government Affairs

Advice No.:

ACCESS SERVICES

CITIZENS TELECOMMUNICATIONS COMPANY OF NEVADA
180 S. Clinton Ave. Rochester, NY 14646
P.U.C.N. Tariff No. A-3

Original Sheet No. 48

**SUMMARY OF RATE ELEMENTS
 TONOPAH DIVISION**

<u>Element</u>	<u>IntraLATA</u>	<u>InterLATA</u>	<u>Tariff Ref.</u>	<u>Page</u>
			<u>Sect.</u>	<u>Page</u>
Section 9				
DIRECTORY ASSISTANCE SERVICE				
DA: MMUC, per BHMC	N/A	N/A	9	10
Credit Transitional, per minute	N/A	N/A	9	12
Credit FG A, B, per minute	N/A	N/A	9	12
Credit FG C, D, per minute	N/A	N/A	9	12
DA Charge, per call	N/A	N/A	9	13
DA Transport, per call	N/A	N/A	9	13
Section 10				
SPECIAL FEDERAL GOVERNMENT ACCESS SERVICES				
Services to Fed Gov. VG Conditioning:			10	8
T-3 conditioning, each	ICB	ICB	10	8
Additional Conditioning, per term.	ICB	ICB	10	8
Type II G-1, conditioning each	ICB	ICB	10	8
Type III G-2, conditioning each	ICB	ICB	10	8
Additional Conditioning, per term.	ICB	ICB	10	8
Type IV G-3, each	ICB	ICB	10	9
Additional Conditioning, per term.	ICB	ICB	10	9
Wide Band Digital			10	9
Wide Band Type I each	ICB	ICB	10	9
Wide Band Type II each	ICB	ICB	10	9
Wide Band Type III each	ICB	ICB	10	9
Section No. 11				
SPECIAL FACILITIES ROUTING OF ACCESS SERVICES				
Diversity	ICB	ICB	11	2
Avoidance	ICB	ICB	11	2
Diversity and Avoidance	ICB	ICB	11	3
Cable only Facility	ICB	ICB	11	3
Section No. 12				
SPECIALIZED SERVICE OR ARRANGEMENTS				
Specialized Services or Arrangements	ICB	ICB	12	1

Issued: February 15, 2002

**Issued By
 Laurie A. Maffett**

Effective: May 1, 2003

Vice President Regulatory and Government Affairs

Advice No.:

ACCESS SERVICES

CITIZENS TELECOMMUNICATIONS COMPANY OF NEVADA
d/b/a Frontier Communications of Nevada
P.O. Box 340 Elk Grove, CA 95759
P.U.C.N. Tariff No. A-3

2nd Revised Sheet No. 49
Cancels 1st Revised Sheet No. 49

SUMMARY OF RATE ELEMENTS
TONOPAH DIVISION

<u>Element</u>	<u>IntraLATA</u>	<u>InterLATA</u>	<u>Tariff Ref.</u>		
			<u>Sect.</u>	<u>Page</u>	
Section No. 13					
ADDITIONAL ENGINEERING, ADDITIONAL LABOR, AND MISCELLANEOUS SERVICES					
Engineering, Misc. Charges:			13	1	
Misc. service order, per occur.	51.8600	61.5800	13	1	
Additional Engineering Basic, per 1/2 hour	31.3900	37.2700	13	2	
Additional Engineering Overtime, per 1/2 hour	37.2400	44.2200	13	3	
Installation or Repair Telco call out:			13	7	
Additional Labor Basic, per 1/2 hour	30.1900	35.8500	13	7	
Additional Labor Premium, per 1/2 hour	34.5200	40.9900	13	7	
Stand by Labor Basic, per 1/2 hour	25.6400	30.4500	13	7	
Stand by Labor Overtime, per 1/2 hour	30.0800	35.7200	13	7	
Premium Time, per 1/2 hour	34.5200	40.9900	13	7	
Technician Install/ Repair:			13	8	
Testing Basic Repair Tech., per 1/2 hour	25.6400	30.4500	13	8	
Testing Overtime Repair Tech. per 1/2 hour	30.0800	35.7200	13	8	
Testing Premium Repair Tech., per 1/2 hour	34.5200	40.9900	13	8	
Testing Basic Repair CO. Tech., per 1/2 hour	26.0000	30.8800	13	8	
Testing Overtime Repair CO. Tech., per 1/2 hour	30.8400	36.6200	13	8	
Testing Premium Repair CO. Tech., per 1/2 hour	35.7000	42.3900	13	8	
Telecommunications Service Priority (TSP)	111.8800	132.8500	13	10.1	(T)
Non-Recurring:			13	14	
Presubscription, NR	5.00	5.00	13	15	(T)
Unauthorized PIC Change Charge	10.00	10.00	13	16	
Standard Jack, (A-G in tariff) - NR	18.1200	21.5200	13	23	
3 Line Non Key Jack, (H in tariff) - NR	88.7900	105.4400	13	24	
50 Position Miniature Jack, (A-E in tariff) - NR	289.9400	344.2900	13	25	
Jack for Series Device, (F in tariff) - NR	190.2700	225.9400	13	26	
Jack for 12 Line Bridge, (G in tariff) - NR	181.2100	215.1800	13	26	
Series Jack for Alarms etc., (A-C in tariff) - NR	119.6000	142.0200	13	26	
Weatherproof Jack, NR	217.4500	258.2200	13	26	
Universal Data Jack, (1-2 in tariff) - NR	117.7900	139.8700	13	27	
Multiple Line Universal Jack, - NR	453.0300	537.9500	13	27	
Multiple Line Universal Jack, - NR	143.1600	169.9900	13	27	
Multiple Line Wall Mount, - NR	81.5400	96.8300	13	28	
Multiple Line Rack Mount, - NR	50.7400	60.2500	13	28	(T)

Issued: February 7, 2008

Issued By
Aloa J. Stevens

Effective: February 22, 2008

Director Government & External Affairs

Advice No.: NV-08-01

ACCESS SERVICES

CITIZENS TELECOMMUNICATIONS COMPANY OF NEVADA
d/b/a Frontier Communications of Nevada
P.O. Box 340, Elk Grove, CA 95759
P.U.C.N. Tariff No. A-3

2nd Revised Sheet No. 50
 Cancels 1st Revised Sheet No. 50

SUMMARY OF RATE ELEMENTS
TONOPAH DIVISION

<u>Element</u>	<u>IntraLATA</u>	<u>InterLATA</u>	<u>Tariff Ref.</u>		
			<u>Sect.</u>	<u>Page</u>	
Section No. 13					
ADDITIONAL ENGINEERING, ADDITIONAL LABOR, AND MISCELLANEOUS SERVICES (Cont'd)					
Switched Access Test:			13	37	(T)
Gain Slope Tests, per test per path	5.5600	6.6100	13	37	
C - Notch Noise, per test per path	5.5600	6.6100	13	37	
1004 Hz 10ss. per test per path	5.5600	6.6100	13	37	
C- Message Noise, per test per path	5.5600	6.6100	13	37	
Balance, per test per path	5.5600	6.6100	13	37	
Protective Connection Arr.:			13	46	
Automatic PCA - 4w, per month	10.6000	12.5900	13	46	
Automatic PCA PBX - 4w, per month	18.3000	21.7300	13	46	
Automatic PCA PBX 4w - NR	157.9200	187.5300	13	46	
PCA for CPE - 2w	ICB	ICB	13	46	
PCA for Answering Dev., per month	9.7900	11.6200	13	46	
PCA for Answering Dev. - NR	55.7200	66.1700	13	46	
Protective conn. arr. various 6 types	ICB	ICB	13	47	
PCA for Termination of CPE tie lines, per month	13.0500	15.4900	13	48	
PCA for Termination of CPE tie lines, NR	39.1400	46.4800	13	48	
PCA PBX, CTX, WATS, per month	17.0300	20.2300	13	48	
PCA PBX, CTX, WATS, NR	14.1300	16.7800	13	48	
PCA - various - 3 types	ICB	ICB	13	49	
Automatic PCA - Trunks, per month	18.9400	22.4900	13	49	
Automatic PCA - Trunks - NR	70.7600	84.0300	13	49	
Automatic PCA - 3 types., per month	ICB	ICB	13	49	
Automatic PCA - conn truck, per month	14.1300	16.7800	13	50	
Automatic PCA - conn truck, NR	70.7600	84.0300	13	50	
Automatic PCA Voice Tran., per month	17.0300	20.2300	13	50	
Automatic PCA Voice Tran. - NR	14.1300	16.7800	13	50	
Automatic PCA - conn. exc line (2 types)	ICB	ICB	13	50	
Controller Arrangement, per month, per arrangement	181.2100	215.1800	13	51	(T)

Section No. 18
RESERVED FOR FUTURE USE (T)

Issued: February 7, 2008

Issued By

Aloa J. Stevens

Effective: February 22, 2008

Director Government & External Affairs

Advice No.: NV-08-01

ACCESS SERVICES

CITIZENS TELECOMMUNICATIONS COMPANY OF NEVADA
180 S. Clinton Ave. Rochester, NY 14646
P.U.C.N. Tariff No. A-3

Original Sheet No. 51

**SUMMARY OF RATE ELEMENTS
 TONOPAH DIVISION**

<u>Element</u>	<u>IntraLATA</u>	<u>InterLATA</u>	<u>Tariff Ref.</u>	
			<u>Sect.</u>	<u>Page</u>
Section No. 19				
CELLULAR MOBILE TELEPHONE INTERCONNECTION				
Originating Connecting Circuits - Type 1, Type 2A or Type 2B Circuits				
Voice Grade, Channel Term - 2w, per month, per term	40.52	48.11	19	16
VG Channel Term - 2w, Non-Recurring	141.43	167.95	19	16
VG Channel Term - 4w, per month, per term	58.37	69.31	19	16
VG Channel Term - 4w, Non-Recurring	141.43	167.95	19	16
VG Channel Mileage Term, per month, per term	54.15	64.30	19	16
VG-Channel Mileage Facility, per month, per mile	2.92	3.46	19	16
DS1 Service, Channel Term, per month, per term	348.07	413.32	19	16
DS1 Channel Term, Non-Recurring	645.17	776.80	19	16
DS1 Channel Mileage Term, per month, per term	284.81	338.20	19	16
DS1 Channel Mileage Facility, per month, per mile	51.01	60.57	19	16
DS1 Optional Features & Functions, Multiplexing:				
DS1 to Voice, per month, per arrangement	576.23	684.25	19	16
DS1 to DS0, per month, per arrangement	999.05	1186.33	19	16
Terminating Usage Rates, Types 1, 2A, and 2B:				
Local Calling Scope	0.025	0.025	19	17
Outside the Local Calling Scope	(See IntraLATA toll rates per Citizens Telecommunications Company of Nevada Local Exchange Tariff P.S.C.N. No. 1)		19	17
Telephone Number Groups and Dedicated NXX Charges				
First 100 Numbers assigned, Type 1, NR	185.00	185.00	19	17
Per additional 100 Numbers assigned, Type 1, NR	105.00	105.00	19	17
First 1000 Numbers assigned, Type 1, NR	1375.00	1375.00	19	17
Per additional 1000 Numbers assigned, Type 1, NR	925.00	925.00	19	17
Per Dedicated NXX	8300.00	8300.00	19	17

Issued: February 15, 2002

**Issued By
 Laurie A. Maffett**

Effective: May 1, 2003

Vice President Regulatory and Government Affairs

Advice No.:

ACCESS SERVICES

CITIZENS TELECOMMUNICATIONS COMPANY OF NEVADA
d/b/a Frontier Communications of Nevada
P.O. Box 340, Elk Grove, CA 95759
P.U.C.N. Tariff No. A-3

1st Revised Sheet No. 52
Cancels Original Sheet No. 52

SUMMARY OF RATE ELEMENTS
TONOPAH DIVISION

	<u>IntraLATA</u>	<u>Element</u> <u>InterLATA</u>	<u>Tariff Ref.</u>		
			<u>Sect.</u>	<u>Page</u>	
Section No. 20					
INTRASTATE GOVERNMENTAL ACCESS SERVICES					
Digital Data Service Channel Termination	\$ 90.42	\$ 90.42	20	3	
Digital Data Service Channel Mileage (per term)	174.93	174.93	20	3	
Digital Data Service Channel Mileage (per mile)	3.11	3.11	20	3	
High Capacity Service Channel Termination	277.53	277.53	20	3	
High Capacity Service Channel Mileage (per term)	277.09	277.09	20	3	
High Capacity Service Channel Mileage (per mile)	40.67	40.67	20	3	(T)

Issued: February 7, 2008

Issued By
Aloa J. Stevens

Effective: February 22, 2008

Director Government & External Affairs

Advice No.: NV-08-01

ACCESS SERVICES

CITIZENS TELECOMMUNICATIONS COMPANY OF NEVADA
180 S. Clinton Ave. Rochester, NY 14646
P.U.C.N. Tariff No. A-3

Original Sheet No. 1-1

SECTION NO. 1

1. Application of Tariff

- 1.1** This tariff contains regulations, rates and charges applicable to the provision of Carrier Common Line, End User Access, Switched Access and Special Access Services, and other miscellaneous services, hereinafter referred to collectively as service(s), provided by the Telephone Company, to customers.
- 1.2** The provision of such services by the Telephone Company as set forth in this tariff does not constitute a joint undertaking with the customer for the furnishing of any service.

Issued: February 15, 2002

Issued By
Laurie A. Maffett

Effective: April 18, 2002 **Vice President Regulatory and Government Affairs**

Advice No.:

SECTION NO. 2

2. General Regulations

2.1 Undertaking of the Telephone Company

2.1.1 Scope

- (A) The Telephone Company does not undertake to transmit messages under this tariff.
- (B) The Telephone Company shall be responsible only for the installation, operation and maintenance of the services it provides.
- (C) The Telephone Company will, for maintenance purposes, test its services only to the extent necessary to detect and/or clear troubles.
- (D) Services are provided 24 hours daily, seven days per week, except as set forth in other applicable sections of this tariff.
- (E) The Telephone Company does not warrant that its facilities and services meet standards other than those set forth in this tariff.

2.1.2 Limitations

- (A) The customer may not assign or transfer the use of services provided under this tariff; however, where there is no interruption of use or relocation of the services, such assignment or transfer may be made to:
 - (1) another customer, whether an individual, partnership, association or corporation, provided the assignee or transferee assumes all outstanding indebtedness for such services, and the unexpired portion of the minimum period and the termination liability applicable to such services, if any; or

SECTION NO. 2

2. General Regulations (Cont'd)

2.1 Undertaking of the Telephone Company (Cont'd)

2.1.2 Limitations (Cont'd)

(A) (Cont'd)

- (2) a court-appointed receiver, trustee or other person acting pursuant to law in bankruptcy, receivership, reorganization, insolvency, liquidation or other similar proceedings, provided the assignee or transferee assumes the unexpired portion of the minimum period and the termination liability applicable to such services, if any.

In all cases of assignment or transfer, the written acknowledgment of the Telephone Company is required prior to such assignment or transfer which acknowledgment shall be made within 15 days from the receipt of notification. All regulations and conditions contained in this tariff shall apply to such assignee or transferee.

The assignment or transfer of services does not relieve or discharge the assignor or transferor from remaining jointly or severally liable with the assignee or transferee for any obligations existing at the time of the assignment or transfer.

- (B) The use and restoration of services shall be in accordance with Part 64, Subpart D, Appendix A, of the Federal Communications Commission's Rules and Regulations, which specifies the priority system for such activities.

- (C) Subject to compliance with the rules mentioned in (B) preceding, the services offered herein will be provided to customers on a first-come, first-served basis.

First-come first-served shall be based upon the received time and date stamped by the Telephone Company on customer orders which contain the information as required for each respective

Issued: February 15, 2002

Issued By
Laurie A. Maffett

Effective: April 18, 2002 Vice President Regulatory and Government Affairs

Advice No.:

SECTION NO. 2**2. General Regulations (Cont'd)****2.1 Undertaking of the Telephone Company (Cont'd)****2.1.2 Limitations (Cont'd)**

(C) (Cont'd)

service as delineated in other sections of this tariff. Customer orders shall not be deemed to have been received until such information is provided. Should questions arise which preclude order issuance due to missing information or the need for clarification, the Telephone Company will attempt to seek such missing information or clarification on a verbal basis.

2.1.3 Liability

- (A) The Telephone Company's liability, if any, for its willful misconduct is not limited by this tariff. With respect to any other claim or suit, by a customer or by any others, for damages associated with the installation, provision, termination, maintenance, repair or restoration of service, and subject to the provisions of (B) through (H) following, the Telephone Company's liability except as set forth in 8.1.3 following, if any, shall not exceed an amount equal to the proportionate charge for the service for the period during which the service was affected. This liability for damages shall be in addition to any amounts that may otherwise be due the customer under this tariff as a Credit Allowance for a Service Interruption.
- (B) The Telephone Company shall not be liable for any act or omission of any other carrier or customer providing a portion of a service, nor shall the Telephone Company for its own act or omission hold liable any other carrier or customer providing a portion of a service.
- (C) The Telephone Company is not liable for damages to the customer premises resulting from the furnishing of a service, including the installation and removal of equipment and associated wiring, unless the damage is caused by the Telephone Company's negligence.

Issued: February 15, 2002**Issued By
Laurie A. Maffett****Effective: April 18, 2002 Vice President Regulatory and Government Affairs****Advice No.:**

SECTION NO 2

2. General Regulations (Cont'd)

2.1 Undertaking of the Telephone Company (Cont'd)

2.1.3 Liability (Cont'd)

- (D) The Telephone Company shall be indemnified, defended and held harmless by the end user against any claim, loss or damage arising from the end user's use of services offered under this tariff, involving:
 - (1) Claims for libel, slander, invasion of privacy, or infringement of copyright arising from the end user's own communications;
 - (2) Claims for patent infringement arising from the end user's acts combining or using the service furnished by the Telephone Company in connection with facilities or equipment furnished by the end users or IC or;
 - (3) All other claims arising out of any act or omission of the end user in the course of using services provided pursuant to this tariff.

- (E) The Telephone Company shall be indemnified, defended and held harmless by the IC against any claim, loss or damage arising from the IC's use of services offered under this tariff involving:
 - (1) Claims for libel, slander, invasion of privacy, or infringement of copyright arising from the IC's own communications;
 - (2) Claims for patent infringement arising from the IC's acts combining or using the service furnished by the Telephone Company in connection with facilities or equipment furnished by the end user or IC or;

Issued: February 15, 2002

Issued By
Laurie A. Maffett

Effective: April 18, 2002 Vice President Regulatory and Government Affairs

Advice No.:

SECTION NO. 2

2. General Regulations (Cont'd)

2.1 Undertaking of the Telephone Company (Cont'd)

2.1.3 Liability (Cont'd)

(E) (Cont'd)

(3) All other claims arising out of any act or omission of the IC in the course of using services provided pursuant to this tariff.

(F) The Telephone Company does not guarantee or make any warranty with respect to its services when used in an explosive atmosphere. The Telephone Company shall be indemnified, defended and held harmless by the customer from any and all claims by any person relating to such customer's use of services so provided.

(G) No license under patents (other than the limited license to use) is granted by the Telephone Company or shall be implied or arise by estoppel, with respect to any service offered under this tariff. The Telephone Company will defend the customer against claims of patent infringement arising solely from the use by the customer of services offered under this tariff and will indemnify such customer for any damages awarded based solely on such claims.

(H) The Telephone Company's failure to provide or maintain services under this tariff shall be excused by labor difficulties, governmental orders, civil commotion, criminal actions taken against the Telephone Company, acts of God and other circumstances beyond the Telephone Company's reasonable control, subject to the Credit Allowance for a Service Interruption as set forth in 2.4.4 following.

Issued: February 15, 2002

Issued By

Laurie A. Maffett

Effective: April 18, 2002 Vice President Regulatory and Government Affairs

Advice No.:

ACCESS SERVICES

CITIZENS TELECOMMUNICATIONS COMPANY OF NEVADA
d/b/a Frontier Communications of Nevada
180 S. Clinton Ave. Rochester, NY 14646
P.U.C.N. Tariff No. A-3

1st Revised Sheet No. 2-6
Cancels Original Sheet No. 2-6

SECTION NO. 2

2. General Regulations (Cont'd)

2.1 Undertaking of the Telephone Company (Cont'd)

2.1.4 Provision of Services

The Telephone Company, to the extent that such services are or can be made available with reasonable effort, and after provision has been made for the Telephone Company's telephone exchange services, will provide to the customer upon reasonable notice services offered in other applicable sections of this tariff at rates and charges specified therein.

2.1.5 Installation and Termination of Services

The services provided under this tariff (A) will include any entrance cable or drop wiring and wire or intrabuilding cable to that point where provision is made for termination of the Telephone Company's outside distribution network facilities at a suitable location inside a customer-designated premises and (B) will be installed by the Telephone Company to such Point of Termination. Moves of the Point of Termination at the customer's premises will be as set forth in Section 6 and 7.2.4 following.

(T)

2.1.6 Maintenance of Services

The services provided under this tariff shall be maintained by the Telephone Company. The customer or others may not rearrange, move, disconnect, remove or attempt to repair any facilities provided by the Telephone Company, other than by connection or disconnection to any interface means used, except with the written consent of the Telephone Company.

Issued: May 7, 2012

Issued By

Kenneth Mason

Effective: July 3, 2012

Vice President Government & Regulatory Affairs

Advice No.: NV-12-03

SECTION NO. 2

2. General Regulations (Cont'd)

2.1 Undertaking of the Telephone Company (Cont'd)

2.1.7 Changes and Substitutions

Except as provided for equipment and systems subject to FCC Part 68 Regulations at 47 C.F.R. Section 68.110(b), the Telephone Company may, where such action is reasonably required in the operation of its business, (A) substitute, change or rearrange any facilities used in providing service under this tariff, including but not limited to, (1) substitution of different metallic facilities, (2) substitution of carrier or derived facilities for metallic facilities used to provide other than metallic facilities and (3) substitution of metallic facilities for carrier or derived facilities used to provide other than metallic facilities, (B) change minimum protection criteria, (C) change operating or maintenance characteristics of facilities or (D) change operations or procedures of the Telephone Company. In case of any such substitution, change or rearrangement, the transmission parameters will be within the range as set forth in 6. and 7. following. The Telephone Company shall not be responsible if any such substitution, change or rearrangement renders any customer furnished services obsolete or requires modification or alteration thereof or otherwise affects their use or performance. If such substitution, change or rearrangement materially affects the operating characteristics of the facility, the Telephone Company will provide reasonable notification to the customer in writing. Reasonable time will be allowed for any redesign and implementation required by the change in operating characteristics. The Telephone Company will work cooperatively with the customer to determine reasonable notification procedures.

Issued: February 15, 2002

Issued By
Laurie A. Maffett

Effective: April 18, 2002 Vice President Regulatory and Government Affairs

Advice No.:

SECTION NO. 2

2. General Regulations (Cont'd)

2.1 Undertaking of the Telephone Company (Cont'd)

2.1.8 Refusal and Discontinuance of Service

- (A) Unless the provisions of 2.2.1(B) or 2.5 following apply, if a customer fails to comply with 2.1.6 preceding or 2.2.2, 2.3.1, 2.3.4, 2.3.5 or 2.4 following, including any payments to be made by it on the dates and times herein specified, the Telephone Company may, on thirty (30) days written notice by Certified U.S. Mail to the person designated by that customer to receive such notices of noncompliance, refuse additional applications for service and/or refuse to complete any pending orders for service by the non-complying customer at any time thereafter.

If the Telephone Company does not refuse additional applications for service on the date specified in the thirty (30) days notice, and the customer's noncompliance continues, nothing contained herein shall preclude the Telephone Company's right to refuse additional applications for service to the non-complying customer without further notice.

Issued: February 15, 2002

Issued By
Laurie A. Maffett

Effective: April 18, 2002 Vice President Regulatory and Government Affairs

Advice No.:

SECTION NO. 2

2. General Regulations (Cont'd)

2.1 Undertaking of the Telephone Company (Cont'd)

2.1.8 Refusal and Discontinuance of Service (Cont'd)

- (B) Unless the provisions of 2.2.1(B) or 2.5 following apply, if the customer fails to comply with 2.1.6 preceding or 2.2.2, 2.3.1, 2.3.4, 2.3.5 or 2.4 following, including any payments to be made by it on the dates and times herein specified, the Telephone Company may, on thirty (30) days written notice by Certified U.S. Mail to the person designated by the customer to receive such notices of noncompliance, discontinue the provision of the services to the non-complying customer at any time thereafter. In the case of such discontinuance, all applicable charges, including termination charges, shall become due. If the Telephone Company does not discontinue the provision of the services involved on the date specified in the thirty (30) days notice, and the customer's noncompliance continues, nothing contained herein shall preclude the Telephone Company's right to discontinue the provision of the services to the non-complying customer without further notice.

2.1.9 Limitation of Use of Metallic Facilities

Signals applied to a metallic facility shall conform to specified limitations. In the case of application of DC telegraph signaling systems, the customer shall be responsible, at its expense, for the provision of current limiting devices to protect the Telephone Company facilities from excessive current due to abnormal conditions and for the provision of noise mitigation networks when required to reduce excessive noise.

Issued: February 15, 2002

Issued By
Laurie A. Maffett

Effective: April 18, 2002 Vice President Regulatory and Government Affairs

Advice No.:

SECTION NO. 2

2. **General Regulations (Cont'd)**

2.1 **Undertaking of the Telephone Company (Cont'd)**

2.1.10 **Notification of Service-Affecting Activities**

The Telephone Company will provide the customer reasonable notification of service-affecting activities that may occur in normal operation of its business. Such activities may include, but are not limited to, equipment or facilities additions, removals or rearrangements, routine preventative maintenance and major switching machine change-out. Generally, such activities are not individual customer service specific, they affect many customer services. No specific advance notification period is applicable to all service activities. The Telephone Company will work cooperatively with the customer to determine the notification requirements.

2.1.11 **Coordination with Respect to Network Contingencies**

The Telephone Company intends to work cooperatively with the customer to develop network contingency plans in order to maintain maximum network capability following natural or man-made disasters which affect telecommunications services.

2.1.12 **Provision and Ownership of Telephone Numbers**

The Telephone Company reserves the reasonable right to assign, designate or change telephone numbers, any other call number designations associated with Access Services, or the Telephone Company serving central office prefixes associated with such numbers, when necessary in the conduct of its business. Should it become necessary to make a change in such number(s), the Telephone Company will furnish to the customer 6 months notice, by Certified U.S. Mail, of the effective date and an explanation of the reason(s) for such change(s).

Issued: February 15, 2002

Issued By
Laurie A. Maffett

Effective: April 18, 2002 Vice President Regulatory and Government Affairs

Advice No.:

SECTION NO. 2

2. General Regulations (Cont'd)

2.2 Use

2.2.1 Interference or Impairment

- (A) The characteristics and methods of operation of any circuits, facilities or equipment provided by other than the Telephone Company and associated with the facilities utilized to provide services under this tariff shall not interfere with or impair service over any facilities of the Telephone Company, its affiliated companies, or its connecting and concurring carriers involved in its services, cause damage to their plant, impair the privacy of any communications carried over their facilities or create hazards to the employees of any of them or the public.

Issued: February 15, 2002

Issued By
Laurie A. Maffett

Effective: April 18, 2002 Vice President Regulatory and Government Affairs

Advice No.:

SECTION NO. 2**2. General Regulations (Cont'd)****2.2 Use (Cont'd)****2.2.1 Interference or Impairment (Cont'd)**

- (B) Except as provided for equipment or systems subject to the FCC Part 68 Rules in 47 C.F.R. Section 68.108, if such characteristics or methods of operation are not in accordance with (A) preceding, the Telephone Company will, where practicable, notify the customer that temporary discontinuance of the use of a service may be required; however, where prior notice is not practicable, nothing contained herein shall be deemed to preclude the Telephone Company's right to temporarily discontinue forthwith the use of a service if such action is reasonable under the circumstances. In case of such temporary discontinuance, the customer will be promptly notified and afforded the opportunity to correct the condition which gave rise to the temporary discontinuance. During such period of temporary discontinuance, credit allowance for service interruptions as set forth in 2.4.4 following is not applicable.

2.2.2 Unlawful and Abusive Use

- (A) The service provided under this tariff shall not be used for an unlawful purpose or used in an abusive manner.

Abusive use includes:

- (1) The use of the service of the Telephone Company for a call or calls, anonymous or otherwise, in a manner reasonably expected to frighten, abuse, torment, or harass another;
- (2) The use of the service in such a manner as to interfere unreasonably with the use of the service by one or more other customers.

Issued: February 15, 2002

Issued By
Laurie A. Maffett

Effective: April 18, 2002 Vice President Regulatory and Government Affairs

Advice No.:

SECTION NO. 2

2. General Regulations (Cont'd)

2.2 Use (Cont'd)

2.2.2 Unlawful and Abusive Use (Cont'd)

- (B) The Telephone Company may, upon written request from a customer, or another exchange carrier, terminate service to any subscriber or customer identified as having utilized service provided under this tariff in the completion of abusive or unlawful telephone calls. Service shall be terminated by the Telephone Company as provided for in its general and/or local exchange service tariffs.
- (C) In such instances when termination occurs, as in (B) preceding, the Telephone Company shall be indemnified, defended and held harmless by any customer or Exchange Carrier requesting termination of service against any claim, loss or damage arising from the Telephone Company's actions in terminating such service, unless caused by the Telephone Company's negligence.

Issued: February 15, 2002

Issued By
Laurie A. Maffett

Effective: April 18, 2002 Vice President Regulatory and Government Affairs

Advice No.:

SECTION NO. 2**2. General Regulations (Cont'd)****2.3 Obligations of the Customer****2.3.1 Damages**

The customer shall reimburse the Telephone Company for damages to Telephone Company facilities utilized to provide services under this tariff caused by the negligence or willful act of the customer or resulting from the customer's improper use of the Telephone Company facilities, or due to malfunction of any facilities or equipment provided by other than the Telephone Company. Nothing in the foregoing provision shall be interpreted to hold one customer liable for another customer's actions. The Telephone Company will, upon reimbursement for damages, cooperate with the customer in prosecuting a claim against the person causing such damage and the customer shall be subrogated to the right of recovery by the Telephone Company for the damages to the extent of such payment.

2.3.2 Ownership of Facilities and Theft

Facilities utilized by the Telephone Company to provide service under the provisions of this tariff shall remain the property of the Telephone Company. Such facilities shall be returned to the Telephone Company by the customer, whenever requested, within a reasonable period following the request in as good condition as reasonable wear will permit.

2.3.3 Equipment Space and Power

The customer shall furnish or arrange to have furnished to the Telephone Company, at no charge, equipment space and electrical power required by the Telephone Company to provide services under this tariff at the points of termination of such services. The selection of AC or DC power shall be mutually agreed to by the customer and the Telephone Company. The customer shall also make necessary arrangements in order that the Telephone Company will have access to such spaces at reasonable times for installing, testing, repairing or removing Telephone Company services.

Issued: February 15, 2002**Issued By
Laurie A. Maffett****Effective: April 18, 2002 Vice President Regulatory and Government Affairs****Advice No.:**

SECTION NO. 2**2. General Regulations (Cont'd)****2.3 Obligations of the Customer (Cont'd)****2.3.4 Availability for Testing**

The services provided under this tariff shall be available to the Telephone Company at times mutually agreed upon in order to permit the Telephone Company to make tests and adjustments appropriate for maintaining the services in satisfactory operating condition. Such tests and adjustments shall be completed within a reasonable time. No credit will be allowed for any interruptions involved during such tests and adjustments.

2.3.5 Balance

All signals for transmission over the services provided under this tariff shall be delivered by the customer balanced to ground except for ground start, duplex (DX) and McCulloh-Loop (Alarm System) type signaling and DC telegraph transmission at speeds of 75 baud or less.

2.3.6 Design of Customer Services

Subject to the provisions of 2.1.7 preceding, the customer shall be solely responsible, at its own expense, for the overall design of its services and for any redesigning or rearrangement of its services which may be required because of changes in facilities, operations or procedures of the Telephone Company, minimum protection criteria or operating or maintenance characteristics of the facilities.

Issued: February 15, 2002**Issued By
Laurie A. Maffett****Effective: April 18, 2002 Vice President Regulatory and Government Affairs****Advice No.:**

SECTION NO. 2**2. General Regulations (Cont'd)****2.3 Obligations of the Customer (Cont'd)****2.3.7 References to the Telephone Company**

The customer may advise End Users that certain services are provided by the Telephone Company in connection with the service the customer furnishes to End Users; however, the customer shall not represent that the Telephone Company jointly participates in the customer's services.

2.3.8 Claims and Demands for Damages

- (A) With respect to claims of patent infringement made by third persons, the customer shall defend, indemnify, protect and save harmless the Telephone Company from and against all claims arising out of the combining with, or use in connection with, the services provided under this tariff, any circuit, apparatus, system or method provided by the customer.
- (B) The customer shall defend, indemnify and save harmless the Telephone Company from and against any suits, claims, losses or damages, including punitive damages, attorney fees and court costs by third persons arising out of the construction, installation, operation, maintenance, or removal of the customer's circuits, facilities, or equipment connected to the Telephone Company's services provided under this tariff, including, without limitation, Workmen's Compensation claims, actions for infringement of copyright and/or unauthorized use of program material, libel and slander actions based on the content of communications transmitted over the customer's circuits, facilities or equipment, and proceedings to recover taxes, fines, or penalties for failure of the customer to obtain or maintain in effect any necessary certificates, permits, licenses, or other authority to acquire or operate the services provided under this tariff; provided, however, the foregoing indemnification shall not apply to suits, claims, and demands to recover damages for damage to property, death, or personal injury unless such suits, claims or demands are based on the tortuous conduct of the customer, its officers, agents or employees.

Issued: February 15, 2002**Issued By
Laurie A. Maffett****Effective: April 18, 2002 Vice President Regulatory and Government Affairs****Advice No.:**

SECTION NO. 2

2. General Regulations (Cont'd)

2.3 Obligations of the Customer (Cont'd)

2.3.8 Claims and Demands for Damages (Cont'd)

- (C) The customer shall defend, indemnify and save harmless the Telephone Company from and against any suits, claims, losses or damages, including punitive damages, attorney fees and court costs by the customer or third parties arising out of any act or omission of the customer in the course of using services provided under this tariff.

Issued: February 15, 2002

Issued By
Laurie A. Maffett

Effective: April 18, 2002 Vice President Regulatory and Government Affairs

Advice No.:

SECTION NO. 2**2. General Regulations (Cont'd)****2.3 Obligations of the Customer (Cont'd)****2.3.9 Coordination with Respect to Network Contingencies**

The customer shall, in cooperation with the Telephone Company, coordinate in planning the actions to be taken to maintain maximum network capability following natural or man-made disasters which affect telecommunications services.

2.3.10 Report Requirements**(A) Reports**

- (1) (a) When a customer orders Feature Group A and/or Feature Group B Switched Access Service the customer shall, in its order, indicate the projected jurisdictional percentage for each Feature Group A and/or Feature Group B Switched Access Service group ordered. If the customer discontinues some but not all of the Feature Group A and/or Feature Group B Switched Access Services in a group, it shall provide the projected jurisdictional percentage for such services which are discontinued.
- (b) Determination of jurisdictional usage is based on the point each call enters the customer network and the called station. An intrastate communication is where the call enters the customer network at a point within the same state as the called station (as designated by the called station telephone number). An interstate communication is where the call enters the customer network at a point within a different state than the called station (as designated by the called station).
- (c) The projected jurisdictional percentages will be used by the Telephone Company to apportion the usage until a revised report is received as set forth in (8) following.

Issued: February 15, 2002**Issued By
Laurie A. Maffett****Effective: April 18, 2002 Vice President Regulatory and Government Affairs****Advice No.:**

SECTION NO. 2

2. General Regulations (Cont'd)

2.3 Obligations of the Customer (Cont'd)

2.3.10 Report Requirements (Cont'd)

(A) Reports (Cont'd)

- (2) All single Feature Group A and B Switched Access Service usage and charges will be apportioned by the Telephone Company between jurisdictions. The projected jurisdictional percentage reported as set forth in 1(a) and 1(b) preceding will be used to make such apportionment.
- (3) For multiline hunt group or trunk group arrangements where either the charges are based on measured usage, the Feature Group A and/or Feature Group B Switched Access Service(s) information reported as set forth in (1) preceding will be used to determine the charges as follows:

Issued: February 15, 2002

Issued By
Laurie A. Maffett

Effective: April 18, 2002 Vice President Regulatory and Government Affairs

Advice No.:

SECTION NO. 2

2. General Regulations (Cont'd)

2.3 Obligations of the Customer (Cont'd)

2.3.10 Report Requirements (Cont'd)

(A) Reports (Cont'd)

(3) (Cont'd)

- (a) For all groups the number of access minutes (either measured or assumed) for a group will be multiplied by the projected jurisdictional percentage to develop the access minutes.

Issued: February 15, 2002

Issued By
Laurie A. Maffett

Effective: April 18, 2002 Vice President Regulatory and Government Affairs

Advice No.:

SECTION NO. 2

2. General Regulations (Cont'd)

2.3 Obligations of the Customer (Cont'd)

2.3.10 Report Requirements (Cont'd)

(A) Reports (Cont'd)

- (4) When a customer orders Feature Group C or Feature Group D Switched Access Service(s), the Telephone Company will, where individual call detail is available, determine the jurisdictional amount from the individual detailed call record. For terminating access minutes, the data used by the Telephone Company to develop the projected jurisdictional percentage for originating conversation minutes will be used to develop projected jurisdictional percentage for such terminating access minutes, together with an appropriate terminating to originating factor. When originating call details are insufficient to determine the jurisdiction for the call, the customer shall supply the projected jurisdictional percentage or authorize the Telephone Company to use the Telephone Company developed percentage. This percentage shall be used by the Telephone Company as the jurisdictional percentage for such call detail.

Issued: February 15, 2002

Issued By
Laurie A. Maffett

Effective: April 18, 2002 Vice President Regulatory and Government Affairs

Advice No.:

SECTION NO. 2

2. General Regulations (Cont'd)

2.3 Obligations of the Customer (Cont'd)

2.3.10 Report Requirements (Cont'd)

(A) Reports (Cont'd)

- (5) When a customer orders Directory Assistance Service, the customer shall in its order, provide the projected jurisdictional percentage for terminating use in a whole number (a number of 0 through 100) for each Directory Access Service group ordered.

Issued: February 15, 2002

Issued By
Laurie A. Maffett

Effective: April 18, 2002 Vice President Regulatory and Government Affairs

Advice No.:

SECTION NO. 2**2. General Regulations (Cont'd)****2.3 Obligations of the Customer (Cont'd)****2.3.10 Report Requirements (Cont'd)****(A) Reports (Cont'd)**

(6) Except where Telephone Company measured access minutes are used as set forth in (4) preceding, the customer reported jurisdictional percentage of use as set forth in (1), (4), or (5) preceding will be used until the customer reports a different projected jurisdictional percentage for an in service end office group. When the customer adds BHMC lines or trunks to an existing end office group, the customer shall furnish a projected jurisdictional percentage that applies to the added BHMC, lines or trunks. When the customer discontinues BHMC, lines or trunks from an existing group, the customer shall furnish a projected jurisdictional percentage for the discontinued BHMC, lines or trunks in the end office group. The revised report will serve as the basis for future billing and will be effective on the next bill date. No prorating or back billing will be done based on the report.

(7)

(8) Effective on the first of January, April, July and October of each year the customer shall update the jurisdictional reports. The customer shall forward to the Telephone Company, to be received no later than 15 days after the first of each such month, a revised report showing the jurisdictional percentage of use for the past three months ending the last day of December, March, June and September, respectively, for each service arranged for jurisdictional use. The revised report will serve as the basis for the next three months billing and will be effective on the bill date for that service. No prorating or back billing will be done based on the report.

Issued: February 15, 2002**Issued By
Laurie A. Maffett****Effective: April 18, 2002 Vice President Regulatory and Government Affairs****Advice No.:**

SECTION NO. 2

2. General Regulations (Cont'd)

2.3 Obligations of the Customer (Cont'd)

2.3.10 Report Requirements (Cont'd)

(A) Reports (Cont'd)

(8) (Cont'd)

If the customer does not supply the reports, the Telephone Company will assume the percentages to be the same as those provided in the last quarterly report. For those cases in which a quarterly report has never been received from the customer, the Telephone Company will assume the percentages to be the same as those provided in the order for service as set forth in (1) preceding.

Issued: February 15, 2002

Issued By
Laurie A. Maffett

Effective: April 18, 2002 Vice President Regulatory and Government Affairs

Advice No.:

SECTION NO. 2**2. General Regulations (Cont'd)****2.3 Obligations of the Customer (Cont'd)****2.3.10 Report Requirements (Cont'd)**

- (B) If a billing dispute arises concerning the projected jurisdictional percentage, the Telephone Company will ask the customer to provide the data the customer uses to determine the projected jurisdictional percentage. The Telephone Company will not request such data more than once a year. The customer shall supply the data within 30 days of the Telephone Company request.

2.3.11 Determination of Jurisdictional Charges for Mixed Jurisdictional Access Service

When mixed Jurisdictional Access Service is provided, all charges (i.e., non-recurring, monthly and/or usage) including optional features charges, will be prorated between the jurisdictions. The percentage provided in the reports as set forth in 2.3.10 (A) preceding will serve as the basis for prorating the charges. The percentage of an Access Service to be charged as jurisdictional is applied in the following manner:

- (A) For monthly and non-recurring chargeable rate elements, multiply the percent jurisdictional use times the quantity of chargeable elements times the stated tariff rate per element.

Issued: February 15, 2002**Issued By
Laurie A. Maffett****Effective: April 18, 2002 Vice President Regulatory and Government Affairs****Advice No.:**

ACCESS SERVICES

CITIZENS TELECOMMUNICATIONS COMPANY OF NEVADA
d/b/a Frontier Communications of Nevada
180 S. Clinton Ave. Rochester, NY 14646
P.U.C.N. Tariff No. A-3

1st Revised Sheet No. 2-26
Cancels Original Sheet No. 2-26

SECTION NO. 2

2. General Regulations (Cont'd)

2.3 Obligations of the Customer (Cont'd)

2.3.11 Determination of Jurisdictional Charges for Mixed Jurisdictional Access Service (Cont'd)

- (B) For usage sensitive (i.e., access minutes and calls) chargeable rate elements, multiply the percent jurisdictional use times actual use (i.e., measured or Telephone Company assumed average use) times the stated tariff rate.

The jurisdictional percentage will change as revised usage reports are submitted as set forth in 2.3.10 preceding.

(M)

2.3.12 Identification and Rating of VoIP-PSTN Traffic

- (A) Scope

- (1) VoIP-PSTN Traffic is defined as traffic exchanged between the Telephone Company end user and the customer in time division multiplexing ("TDM") format that originates and/or terminates in Internet protocol ("IP") format. This section governs the identification of VoIP-PSTN Traffic that is required to be compensated at interstate access rates by the Federal Communications Commission in its Report and Order in WC Docket Nos. 10-90, etc., FCC Release No. 11-161 (Nov. 18, 2011) ("FCC Order"). Specifically, this section establishes the method of separating such traffic (referred to in this tariff as "Relevant VoIP-PSTN Traffic") from the customer's traditional intrastate access traffic, so that such Relevant VoIP-PSTN Traffic can be billed in accordance with the FCC Order.

(M)
(N)

(M) Item 2.4.1 relocated to Sheet No. 2-27.

Issued: December 15, 2011

Issued By
Kenneth Mason

Effective: January 30, 2012 Vice President, Government & Regulatory Affairs

Advice No.: NV-11-10 Supplement 1

ACCESS SERVICES

CITIZENS TELECOMMUNICATIONS COMPANY OF NEVADA
d/b/a Frontier Communications of Nevada
180 S. Clinton Ave. Rochester, NY 14646
P.U.C.N. Tariff No. A-3

Original Sheet No. 2-26.1

SECTION NO. 2

2. General Regulations (Cont'd)

2.3 Obligations of the Customer (Cont'd)

2.3.12 Identification and Rating of VoIP-PSTN Traffic (Cont'd)

(N)

(A) Scope (Cont'd)

- (2) This section will be applied to the billing of switched access charges to a customer that is a local exchange carrier only to the extent that the customer has also implemented billing of interstate access charges for Relevant VoIP-PSTN Traffic in accordance with the FCC Order.

(B) Rating of VoIP-PSTN Traffic

The Relevant VoIP-PSTN Traffic identified in accordance with this tariff section will be billed at rates equal to the Telephone Company's applicable tariffed interstate switched access rates as specified in the Telephone Company's applicable Federal Access Tariff.

(C) Calculation and Application of Percent-VoIP-Usage Factor

The Telephone Company will determine the number of Relevant VoIP-PSTN Traffic minutes of use ("MOU") to which interstate rates will be applied under subsection (B), above, by applying a Percent VoIP Usage ("PVU") factor to the total terminating intrastate access MOU received by The Telephone Company from the customer. The PVU will be derived and applied as follows:

- (1) The customer will calculate and furnish to the Telephone Company a factor (the "PVU") representing the percentage of the total intrastate and interstate access MOU that the customer terminates to the Telephone Company in the State, that is sent to the Telephone Company and that originated in IP format. This PVU shall be based on information such as traffic studies, actual call detail, or other relevant and verifiable information.
- (2) The Telephone Company will apply the PVU factor to the total terminating intrastate access MOU received from the customer to determine the number of Relevant VoIP-PSTN Traffic MOUs.
- (3) If the customer does not furnish the Telephone Company with a PVU pursuant to the preceding paragraph 1, the Telephone Company will utilize a PVU equal to zero.

(N)

Issued: December 15, 2011

Issued By
Kenneth Mason

Effective: January 30, 2012 Vice President, Government & Regulatory Affairs

Advice No.: NV-11-10 Supplement 1

ACCESS SERVICES

CITIZENS TELECOMMUNICATIONS COMPANY OF NEVADA
d/b/a Frontier Communications of Nevada
180 S. Clinton Ave. Rochester, NY 14646
P.U.C.N. Tariff No. A-3

Original Sheet No. 2-26.2

SECTION NO. 2

2. General Regulations (Cont'd)

2.3 Obligations of the Customer (Cont'd)

2.3.12 Identification and Rating of VoIP-PSTN Traffic (Cont'd)

(N)

(D) Initial PVU Factor

If the PVU factor is not available and/or cannot be implemented in the Telephone Company's billing systems by January 30, 2012, once the factor is available and can be implemented the Telephone Company will adjust the customer's bills to reflect the PVU retroactively to January 30, 2012. This retroactive adjustment will be made to January 30, 2012, provided that the customer provides the factor to the Telephone Company no later than April 15, 2012; otherwise, it will set the initial PVU equal to zero, as specified in subsection (C)(1), preceding.

(E) PVU Factor Updates

The customer may update the PVU factor quarterly using the method set forth in subsection (C)(1), above. If the customer chooses to submit such updates, it shall forward to the Telephone Company, no later than 15 days after the first day of January, April, July and/or October of each year, a revised PVU factor based on data for the prior three months, ending the last day of December, March, June and September, respectively. The revised PVU factor will apply prospectively and serve as the basis for billing until superseded by a new PVU.

(F) PVU Factor Verification

Not more than four times in any year, the Telephone Company may ask the customer to verify the PVU factor furnished to the Telephone Company. The party so requested shall comply, and shall reasonably provide the records and other information used to determine the PVU factors.

(N)

Issued: December 15, 2011

Issued By
Kenneth Mason

Effective: January 30, 2012 Vice President, Government & Regulatory Affairs

Advice No.: NV-11-10 Supplement 1

ACCESS SERVICES

CITIZENS TELECOMMUNICATIONS COMPANY OF NEVADA
d/b/a Frontier Communications of Nevada
180 S. Clinton Ave. Rochester, NY 14646
P.U.C.N. Tariff No. A-3

1st Revised Sheet No. 2-27
Cancels Original Sheet No. 2-27

SECTION NO. 2

2. General Regulations (Cont'd)

2.4 Payment Arrangements and Credit Allowances

(T)

2.4.1 Payment of Rates, Charges and Deposits

(T)

(D)

(A) The Telephone Company will, in order to safeguard its interests, only require a customer which has a proven history of late payments to the Telephone Company or does not have established credit, to make a deposit prior to or at any time after the provision of a service to the customer to be held by the Telephone Company as a guarantee of the payment of rates and charges. No such deposit will be required of a customer which is a successor of a company which has established credit and has no history of late payments to the Telephone Company. Such deposit may not exceed the actual or estimated rates and charges for the service for a two month period. The fact that a deposit has been made in no way relieves the customer from complying with the Telephone Company's regulations as to the prompt payment of bills. At such time as the provision of the service to the customer is terminated, the amount of the deposit will be credited to the customer's account and any credit balance, which may remain will be refunded.

(M)

(M)

Such a deposit will be refunded or credited to the account when the customer has established credit or, in any event, after the customer has established a one-year prompt payment record at any time prior to the termination of the provision of the service to the customer. In case of a cash deposit, for the period the deposit is held by the Telephone Company, the customer will receive interest at the same percentage rate as that set forth in (B)(3)(b)(I) or in (B)(3)(b)(II), whichever is lower. The rate will be compounded daily for the number of days from the date the customer deposit is received by the Telephone Company to and including the date such deposit is credited to the customer's account or the date the deposit is refunded by the Telephone Company. Should a deposit be credited to the customer's account, as indicated above, no interest will accrue on the deposit from the date such deposit is credited to the customer's account.

(B) The Telephone Company shall bill on a current basis all charges incurred by and credits due to the customer under this tariff attributable to services established or discontinued during the preceding billing period. In addition, the Telephone Company shall bill in advance charges for all services to be provided during the ensuing billing period except for charges associated with service usage and for the Federal Government which will be billed in arrears. The bill day (i.e., the billing date of a bill for a customer for Access Service under this tariff), the period of service each bill covers and the payment date will be as follows:

(M) Material relocated from Sheet No. 2-26.

(N)

Issued: December 15, 2011

Issued By
Kenneth Mason

Effective: January 30, 2012 Vice President, Government & Regulatory Affairs

Advice No.: NV-11-10 Supplement 1

SECTION NO. 2

2. General Regulations (Cont'd)

2.4 Payment Arrangements and Credit Allowances (Cont'd)

2.4.1 Payment of Rates, Charges and Deposits (Cont'd)

(B) (Cont'd)

- (1) For End User Access Service and Presubscription Service, the Telephone Company will establish an approximate bill day each month for each end user account. The bill will cover End User Access Service charges for the ensuing billing period except for End User Access Service for the Federal Government which will be billed in arrears. Any applicable Presubscription Charges, any known unbilled charges for prior periods and any known unbilled adjustments for prior periods for End User Access Service and Presubscription Service will be applied to this bill. Such bills are due when rendered.
- (2) For Service other than End User Access Service and Presubscription Service, the Telephone Company will establish an approximate bill day each month for each customer account. The bill will cover nonusage sensitive service charges for the ensuing billing period for which the bill is rendered, any known unbilled nonusage sensitive charges for prior periods and unbilled usage charges for the period after the last bill day through the current bill day. Any known unbilled usage charges for prior periods and any known unbilled adjustments will be applied to this bill. Payment for such bills is due as set forth in (3) following. If payment is not received by the payment date, as set forth in (3) following in immediately available funds, a late payment penalty will apply as set forth in (3) following.

Issued: February 15, 2002

Issued By
Laurie A. Maffett

Effective: April 18, 2002 Vice President Regulatory and Government Affairs

Advice No.:

SECTION NO. 2

2. General Regulations (Cont'd)

2.4 Payment Arrangements and Credit Allowances (Cont'd)

2.4.1 Payment of Rates, Charges and Deposits (Cont'd)

(B) (Cont'd)

(3)(a) All bills dated as set forth in (2) preceding for service, other than End User Service and Presubscription Service, provided to the customer by the Telephone Company are due 31 days (payment date) after the bill day or by the next bill date (i.e., same date in the following month as the bill date), whichever is the shortest interval, except as provided herein, and are payable in immediately available funds. If such payment date would cause payment to be due on a Saturday, Sunday or legally observed Holiday (i.e., New Year's Day, Independence Day, Labor Day, Thanksgiving Day, Christmas Day, the second Tuesday in November and a day when Washington's Birthday, Memorial Day or Columbus Day is legally observed), payment for such bills will be due from the customer as follows:

If such payment date falls on a Sunday or on a Holiday which is observed on a Monday, the payment date shall be the first non-Holiday day following such Sunday or Holiday. If such payment date falls on a Saturday or on a Holiday which is observed on Tuesday, Wednesday, Thursday or Friday, the payment date shall be the last non-Holiday day preceding such Saturday or Holiday.

Issued: February 15, 2002

Issued By
Laurie A. Maffett

Effective: April 18, 2002 Vice President Regulatory and Government Affairs

Advice No.:

SECTION NO. 2

2. General Regulations (Cont'd)

2.4 Payment Arrangements and Credit Allowances (Cont'd)

2.4.1 Payment of Rates, Charges and Deposits (Cont'd)

(B) (Cont'd)

(3)(b) Further, if any portion of the payment is received by the Telephone Company after the payment date as set forth in (a) preceding, or if any portion of the payment is received by the Telephone Company in funds which are not immediately available to the Telephone Company, then a late payment penalty shall be due to the Telephone Company. The late payment penalty shall be the portion of the payment not received by the payment date times a late factor. The late factor shall be the lesser of:

- (I) The highest interest rate (in decimal value) which may be levied by law for commercial transactions, compounded daily for the number of days from the payment date to and including the date that the IC actually makes the payment to the Telephone Company, or
- (II) 0.000590 per day, compounded daily for the number of days from the payment date to and including the date that the customer actually makes the payment to the Telephone Company.

Issued: February 15, 2002

Issued By
Laurie A. Maffett

Effective: April 18, 2002 Vice President Regulatory and Government Affairs

Advice No.:

SECTION NO. 2**2. General Regulations (Cont'd)****2.4 Payment Arrangements and Credit Allowances (Cont'd)****2.4.1 Payment of Rates, Charges and Deposits (Cont'd)**

(B) (Cont'd)

(3)(c) Billing Disputes Resolved in Favor of the Telephone Company

Late payment charges will apply to amounts withheld pending settlement of the dispute. Late payment charges are calculated as set forth in (b) preceding except that when the customer disputes the bill on or before the payment date and pays the undisputed amount on or before the payment date, the penalty interest period shall not begin until 10 days following the payment date.

(d) Billing Disputes Resolved in Favor of the Customer

If the customer pays the total billed amount and disputes all or part of the amount, the Telephone Company will refund the overpayment. In addition, the Telephone Company will pay penalty interest to the customer if the dispute is not resolved within 10 days following the payment date. The penalty interest period shall begin 10 days following the payment date or on the date the disputed amount was actually paid, whichever is later. The penalty interest period shall end on the date that the Telephone Company actually refunds the overpayment to the customer. The penalty interest rate shall be the lesser of:

- (1) The highest interest rate (in decimal value) which may be levied by law for commercial transactions, compounded daily for the number of days from the first date to and including the last date of the period involved, or 0.000590 per day, compounded daily for the number of days from the first date to and including the last date of the period involved.

Issued: February 15, 2002**Issued By
Laurie A. Maffett****Effective: April 18, 2002 Vice President Regulatory and Government Affairs****Advice No.:**

SECTION NO. 2

2. General Regulations (Cont'd)

2.4 Payment Arrangements and Credit Allowances (Cont'd)

2.4.1 Payment of Rates, Charges and Deposits (Cont'd)

- (C) When a payment for Access Service charges billed under this tariff is due to the Telephone Company from the customer as set forth in (B)(3)(a) preceding on the same payment date that a Purchase of Accounts Receivable net purchase amount is due to the customer from the Telephone Company, the Telephone Company may, with at least 31 days notice to the customer, net the payment for customer Access Service Charges with the net purchase amount. The Telephone Company will pay the net amount to the customer on the payment date when such net amount is due to the customer or require the customer to pay to the Telephone Company the net amount when such net amount is due to the Telephone Company. If either party does not make the payment on the payment date, a late payment penalty as set forth in (B)(3)(b) preceding applies.
- (D) Adjustments for the quantities of services established or discontinued in any billing period beyond the minimum period set forth for services in other sections of this tariff will be prorated to the number of days or major fraction of days based on a 30 day month. The Telephone Company will, upon request and if available, furnish such detailed information as may reasonably be required for verification of any bill.
- (E) When a rate as set forth in this tariff is shown to more than two decimal places, the charges will be determined using the rate shown. The resulting amount will then be rounded to the nearest penny (i.e., rounded to two decimal places).

Issued: February 15, 2002

Issued By
Laurie A. Maffett

Effective: April 18, 2002 Vice President Regulatory and Government Affairs

Advice No.:

SECTION NO. 2

2. General Regulations (Cont'd)

2.4 Payment Arrangements and Credit Allowances (Cont'd)

2.4.2 Minimum Periods

The minimum period for which services are provided and for which rates and charges are applicable is one month except for those services set forth in 5.2.5(B), 8.2.5(B), 9.4(A) and 13.3.5(C)(1)(b) and (c) following.

Issued: February 15, 2002

Issued By
Laurie A. Maffett

Effective: April 18, 2002 Vice President Regulatory and Government Affairs

Advice No.:

SECTION NO. 2**2. General Regulations (Cont'd)****2.4 Payment Arrangements and Credit Allowances (Cont'd)****2.4.2 Minimum Periods (Cont'd)**

The minimum period for which service is provided and for which rates and charges are applicable for a Specialized Service or Arrangement provided on an individual case basis as set forth in 12. following, is one month unless a different minimum period is established with the individual case filing.

When a service is discontinued prior to the expiration of the minimum period, charges are applicable, whether the service is used or not, as follows:

- (A) When a service with a one month minimum period is discontinued prior to the expiration of the minimum period, a one month charge will apply at the rate level in effect at the time service is discontinued.
- (B) When a service with a minimum period greater than one month is discontinued prior to the expiration of the minimum period, the applicable charge will be the lesser of (1) the Telephone Company's total nonrecoverable costs less the net salvage value for the discontinued service or (2) the total monthly charges, at the rate level in effect at the time service is discontinued, for the remainder of the minimum period.

2.4.3 Cancellation of an Order for Service

Provisions for the cancellation of an order for service are set forth in other applicable sections of this tariff.

2.4.4 Credit Allowance for Service Interruptions**(A) General**

A service is interrupted when it becomes unusable to the customer because of a failure of a facility component used to furnish service under this tariff or in the event that the protective controls applied by the Telephone Company result in the complete loss of service by the customer as set forth

ACCESS SERVICES

CITIZENS TELECOMMUNICATIONS COMPANY OF NEVADA
d/b/a Frontier Communications of Nevada
180 S. Clinton Ave. Rochester, NY 14646
P.U.C.N. Tariff No. A-3

1st Revised Sheet No. 2-35
Cancels Original Sheet No. 2-35

SECTION NO. 2

2. General Regulations (Cont'd)

2.4 Payment Arrangements and Credit Allowances (Cont'd)

2.4.4 Credit Allowance for Service Interruptions (Cont'd)

(A) General (Cont'd)

in Section 6. An interruption period starts when an inoperative service is reported to the Telephone Company, and ends when the service is operative. (T)

For purposes of administering the following regulations a major fraction shall mean more than half of the incremental credit period using the unit of time in which the service interruption is measured, i.e., 30 seconds, 1 minute, 1 hour. For example a major fraction for a 30 minute period equals 16 minutes, for a 24 hour period equals 12 hours and one minute, and for a 5 minute period equals 2 minutes and 31 seconds.

(B) When a Credit Allowance Applies

In case of an interruption to any service, allowance for the period of interruption, if not due to the negligence of the customer, shall be as follows:

- (1) For Special Access Services other than Program Audio and Video Services, no credit shall be allowed for an interruption of less than 30 minutes. The customer shall be credited for an interruption of 30 minutes or more at the rate of 1/1440 of the monthly charges for the facility or service for each period of 30 minutes or major fraction thereof that the interruption continues.

The monthly charges used to determine the credit shall be as follows:

- (a) For two-point services, the monthly charge shall be the total of all the monthly rate element charges associated with the service (i.e., two channel terminations, channel mileage and optional features and functions).

Issued: May 7, 2012

Issued By

Kenneth Mason

Effective: July 3, 2012

Vice President Government & Regulatory Affairs

Advice No.: NV-12-03

SECTION NO. 2

2. General Regulations (Cont'd)

2.4 Payment Arrangements and Credit Allowances (Cont'd)

2.4.4 Credit Allowance for Service Interruptions

(B) When a Credit Allowance Applies (Cont'd)

(1) (Cont'd)

- (b) For multipoint services, the monthly charge shall be only the total of all the monthly rate element charges associated with that portion of the service that is inoperative (i.e., a channel termination per customer premises, channel mileage and optional features and functions).
- (c) For multiplexed services, the monthly charge shall be the total of all the monthly rate element charges associated with that portion of the service that is inoperative. When the facility which is multiplexed or the multiplexer itself is inoperative, the monthly charge shall be the total of all the monthly rate element charges associated with the service (i.e., the channel termination, channel mileage and optional features and functions, including the multiplexer on the facility to the hub, and the channel terminations, channel mileages and optional features and functions on the individual services from the hub). When the service which rides a channel of the multiplexed facility is inoperative, the monthly charge shall be the total of all the monthly rate element charges associated with that portion of the service from the hub to a customer premises (i.e., channel termination, channel mileage and optional features and functions).

Issued: February 15, 2002

Issued By
Laurie A. Maffett

Effective: April 18, 2002 Vice President Regulatory and Government Affairs

Advice No.:

SECTION NO. 2

2. General Regulations (Cont'd)

2.4 Payment Arrangements and Credit Allowances (Cont'd)

2.4.4 Credit Allowance for Service Interruptions

(B) When a Credit Allowance Applies (Cont'd)

- (2) For Program Audio and Video Special Access Services, no credit shall be allowed for an interruption of less than 30 seconds. The customer shall be credited for an interruption of 30 seconds or more as follows:
- (a) For two-point services, when monthly rates are applicable, the credit shall be at the rate of 1/8640 of the monthly charges for the service for each period of 5 minutes or major fraction thereof that the interruption continues.
 - (b) For two-point services, when daily rates are applicable, the credit shall be at the rate of 1/288 of the daily charges for the service for each period of 5 minutes or major fraction thereof that the interruption continues.
 - (c) For multipoint services, when monthly rates are applicable, the credit shall be at the rate of 1/8640 of the monthly charges for each channel termination, channel mileage and optional features and functions that are inoperative for each period of 5 minutes or major fraction thereof that the interruption continues.
 - (d) For multipoint services, when daily rates are applicable, the credit shall be at the daily rate of 1/288 of the daily charges for channel termination, channel mileage and optional features and functions that are inoperative for each period of 5 minutes or major fraction thereof that the interruption continues.

Issued: February 15, 2002

Issued By
Laurie A. Maffett

Effective: April 18, 2002 Vice President Regulatory and Government Affairs

Advice No.:

SECTION NO. 2

2. General Regulations (Cont'd)

2.4 Payment Arrangements and Credit Allowances (Cont'd)

2.4.4 Credit Allowance for Service Interruptions (Cont'd)

(B) When a Credit Allowance Applies (Cont'd)

(2) (Cont'd)

- (e) For multipoint services, the credit for the monthly or daily charges includes the charges for the distribution amplifier only when the distribution amplifier is inoperative.
- (f) When two or more interruptions occur during a period of 5 consecutive minutes, such multiple interruptions shall be considered as one interruption.

Issued: February 15, 2002

Issued By
Laurie A. Maffett

Effective: April 18, 2002 Vice President Regulatory and Government Affairs

Advice No.:

SECTION NO. 2

2. General Regulations (Cont'd)

2.4 Payment Arrangements and Credit Allowances (Cont'd)

2.4.4 Credit Allowance for Service Interruptions (Cont'd)

(B) When a Credit Allowance Applies (Cont'd)

- (3) For Switched Access Service and Directory Assistance Service, no credit shall be allowed for an interruption of less than 24 hours. The customer shall be credited for an interruption of 24 hours or more at the rate of 1/30 of any applicable monthly rate or minimum monthly usage charge for each period of 24 hours or major fraction thereof that the interruption continues.
- (4) The credit allowance(s) for an interruption or for a series of interruptions shall not exceed any monthly rate or minimum monthly usage charge for the service interrupted in any one monthly billing period.
- (5) For certain Special Access services (Digital Data Access, DA1-4; and High Capacity, HC1), any period during which the error performance is below that specified for the service will be considered as an interruption.
- (6) Service interruptions for Specialized Service or Arrangements provided under the provisions of 12. following shall be administered in the same manner as those set forth in this section (2.4.4) unless other regulations are specified with the individual case filing.

Issued: February 15, 2002

Issued By
Laurie A. Maffett

Effective: April 18, 2002 Vice President Regulatory and Government Affairs

Advice No.:

SECTION NO. 2

2. General Regulations (Cont'd)

2.4 Payment Arrangements and Credit Allowances (Cont'd)

2.4.4 Credit Allowance for Service Interruptions (Cont'd)

(C) When a Credit Allowance Does Not Apply

No credit allowance will be made for:

- (1) Interruptions caused by the negligence of the customer.
- (2) Interruptions of a service due to the failure of equipment or systems provided by the customer or others.
- (3) Interruptions of a service during any period in which the Telephone Company is not afforded access to the premises where the service is terminated.
- (4) Interruptions of a service when the customer has released that service to the Telephone Company for maintenance purposes, to make rearrangements, or for the implementation of an order for a change in the service during the time that was negotiated with the customer prior to the release of that service. Thereafter, a credit allowance as set forth in (B) preceding applies.
- (5) Interruptions of a service which continue because of the failure of the customer to authorize replacement of any element of special construction. The period for which no credit allowance is made begins on the seventh day after the customer receives the Telephone Company's written notification of the need for such replacement and ends on the day after receipt by the Telephone Company of the customer's written authorization for such replacement.

Issued: February 15, 2002

Issued By
Laurie A. Maffett

Effective: April 18, 2002 Vice President Regulatory and Government Affairs

Advice No.:

SECTION NO. 2**2. General Regulations (Cont'd)****2.4 Payment Arrangements and Credit Allowances (Cont'd)****2.4.4 Credit Allowance for Service Interruptions (Cont'd)****(C) When Credit Allowance Does Not Apply (Cont'd)**

- (6) Periods when the customer elects not to release the service for testing and/or repair and continues to use it on an impaired basis.
- (7) An interruption or a group of interruptions, resulting from a common cause, for amounts less than one dollar.

(D) Use of an Alternative Service Provided by the Telephone Company

Should the customer elect to use an alternative service provided by the Telephone Company during the period that a service is interrupted, the customer must pay the tariffed rates and charges for the alternative service used.

(E) Temporary Surrender of a Service

In certain instances, the customer may be requested by the Telephone Company to surrender a service for purposes other than maintenance, testing or activity relating to a service order. If the customer consents, a credit allowance will be granted. The credit allowance will be 1/1440 of the monthly rate for each period of 30 minutes or fraction thereof that the service is surrendered. In no case will the credit allowance exceed the monthly rate for the service surrendered in any one monthly billing period.

Issued: February 15, 2002**Issued By
Laurie A. Maffett****Effective: April 18, 2002 Vice President Regulatory and Government Affairs****Advice No.:**

SECTION NO. 2

2. General Regulations (Cont'd)

2.4 Payment Arrangements and Credit Allowances (Cont'd)

2.4.5

2.4.6 Re-establishment of Service Following Fire, Flood or Other Occurrence

(A) Non-recurring Charges Do Not Apply

Charges do not apply for the re-establishment of service following a fire, flood or other occurrence attributed to an Act of God provided that:

- (1) The service is of the same type as was provided prior to the fire, flood or other occurrence.
- (2) The service is for the same customer.
- (3) The service is at the same location on the same premises.
- (4) The re-establishment of service begins within 60 days after Telephone Company service is available. (The 60 day period may be extended a reasonable period if the renovation of the original location on the premises affected is not practical within the allotted time period).

(B) Non-recurring Charges Apply

Non-recurring Charges apply for establishing service at a different location on the same premises or at a different premises pending re-establishment of service at the original location.

SECTION NO. 2**2. General Regulations (Cont'd)****2.4 Payment Arrangements and Credit Allowances (Cont'd)****2.4.7 Title or Ownership Rights**

- (A) The payment of rates and charges by customers for the services offered under the provisions of this tariff does not assign, confer or transfer title or ownership rights to proposals or facilities developed or utilized, respectively, by the Telephone Company in the provision of such services.

2.4.8 Access Services Provided By More Than One Telephone Company

- (A) When an Access Service is provided by more than one Telephone Company, the Telephone Companies involved will mutually agree upon one of the billing methods as set forth in (1) and (2) following based upon the interconnection arrangements between the Telephone Companies and the availability of measurement capability.

Each exchange telephone company shall receive a copy of the order.

The Telephone Company will notify the customer which of the billing methods will be used. The customer will place the order for the service as set forth in 5.2.8 dependent upon the billing method. The Telephone Company receiving the order or copy of the order from the customer will be responsible for billing the customer.

(1) Single Company Billing:

- (a) The Telephone Company receiving the order from the customer, as specified in 5.2.8(A)(1), will arrange to provide the service, determine the applicable charges and bill the customer for the entire service in accordance with its Access Services tariff.

Issued: February 15, 2002

Issued By
Laurie A. Maffett

Effective: April 18, 2002 Vice President Regulatory and Government Affairs

Advice No.:

ACCESS SERVICES

CITIZENS TELECOMMUNICATIONS COMPANY OF NEVADA
d/b/a Frontier Communications of Nevada
180 S. Clinton Ave. Rochester, NY 14646
P.U.C.N. Tariff No. A-3

1st Revised Sheet No. 2-44
Cancels Original Sheet No. 2-44

SECTION NO. 2

2. General Regulations (Cont'd)

2.4 Payment Arrangements and Credit Allowances (Cont'd)

2.4.8 Access Services Provided By More Than One Telephone Company (Cont'd)

(A) (Cont'd)

(2) Multiple Company (Interconnection Point) Billing:

(a) Each Telephone Company receiving an order or copy of the order from the customer, as specified in 5.2.8(A)(2) following will determine the applicable charges for the portion of the service it provides and bill in accordance with its Access Services tariff as follows:

(i) Determine the appropriate Local Transport or Channel Mileage by computing the number of airline miles between the Telephone Company premises (end office, access tandem or serving wire centers for Switched Access or serving wire centers for Special Access) using the V&H method set forth in Section 6 and 7.2.6 following. (T)

(ii) Determine the mutually agreed upon billing percentage (BP) which represents the portion of the service provided by each Telephone Company;
or
Determine the interconnection point (ICP) factor for each Telephone Company as follows: (a) compute the number of airline miles between the Telephone Company premises, as set for in (i) preceding, and the interconnection point using the V&H method; (b) divide (a) by the total airline miles as set forth in (i) preceding.

Issued: May 7, 2012

Issued By

Kenneth Mason

Effective: July 3, 2012

Vice President Government & Regulatory Affairs

Advice No.: NV-12-03

SECTION NO. 2**2. General Regulations (Cont'd)****2.4 Payment Arrangements and Credit Allowances (Cont'd)****2.4.8 Access Services Provided by More Than One Telephone Company (Cont'd)**

(A) (Cont'd)

(2) Multiple Company (Interconnection Point) Billing:

(a) (Cont'd)

(iii) For Feature Groups A, B, C and D Switched Access Services using BP Method, (a) multiply the number of access minutes of use times the number of airline miles, as set forth in (i) preceding, times the BP for each Telephone Company, as set forth in (ii) preceding, times the Local Transport Facility rate; (b) multiply the Local Transport Termination rate times the number of access minutes and divide by 2. Then add (a) and (b);

or

For Feature Group A, B, C and D Switched Access Services using the ICP method, (a) multiply the number of access minutes of use times the number of airline miles, as set forth in (i) preceding, times the ICP factor, as set forth in (ii) preceding, for each Telephone Company times the Local Transport Facility rate; (b) multiply the number of access minutes times the Local Transport Termination rate and divide by 2. Then add (a) and (b).

(iv) For Special Access using BP method, multiply the number of airline miles, as set forth in (i) preceding, times the BP for each Telephone Company, as set forth in (ii) preceding, times the Channel Mileage Facility rate. Add the Channel Mileage Termination rate;

Issued: February 15, 2002**Issued By
Laurie A. Maffett****Effective: April 18, 2002 Vice President Regulatory and Government Affairs****Advice No.:**

ACCESS SERVICES

CITIZENS TELECOMMUNICATIONS COMPANY OF NEVADA
d/b/a Frontier Communications of Nevada
180 S. Clinton Ave. Rochester, NY 14646
P.U.C.N. Tariff No. A-3

1st Revised Sheet No. 2-46
Cancels Original Sheet No. 2-46

SECTION NO. 2

2. General Regulations (Cont'd)

2.4 Payment Arrangements and Credit Allowances (Cont'd)

2.4.8 Access Services Provided by More Than One Telephone Company (Cont'd)

(A) (Cont'd)

(2) Multiple Company (Interconnections Point) Billing:

(a) (Cont'd)

(iv) (Cont'd)

For Special Access using ICP method, multiply the number of airline miles, as set forth in (i) preceding, times the ICP factor for each Telephone Company, as set forth in (ii) preceding, times the Channel Mileage Facility rate. Add the Channel Mileage Termination rate.

(v) For Directory Assistance Service, multiply the Directory Transport rate times the number of directory assistance calls times the BP or the ICP factor for each Telephone Company, as set forth in (ii) preceding.

(vi) When three or more Telephone Companies are involved in providing an Access Service, the intermediate Telephone Company(s) will determine the appropriate charges as set forth in (iii) and (iv) preceding, except the Local Transport Termination or Channel Mileage Termination rate does not apply.

(b) All other appropriate recurring and non-recurring charges in each Telephone Company's tariff are applicable.

(B) Where the customer utilizes FGA Switched Access Service for calls between a Primary Exchange Carrier and a Secondary Exchange Carrier within the same Extended Area Service calling area, as set forth in Section 6, and/or Feature Group B Switched Access Service for calls between a Primary Exchange Carrier's access tandem and a subtending Secondary Exchange Carrier as set forth in section 6, where the Primary and Secondary Exchange Carriers are not the same Telephone Company, and do not provide service under the same access service tariff; for FGA Switched Access Service the Secondary Exchange Carrier(s) (T)

Issued: May 7, 2012

Issued By
Kenneth Mason

Effective: July 3, 2012

Vice President Government & Regulatory Affairs

Advice No.: NV-12-03

ACCESS SERVICES

CITIZENS TELECOMMUNICATIONS COMPANY OF NEVADA
d/b/a Frontier Communications of Nevada
180 S. Clinton Ave. Rochester, NY 14646
P.U.C.N. Tariff No. A-3

1st Revised Sheet No. 2-47
Cancels Original Sheet No. 2-47

SECTION NO. 2

2. General Regulations (Cont'd)

2.4 Payment Arrangements and Credit Allowances (Cont'd)

2.4.8 Access Services Provided By More Than One Telephone Company (Cont'd)

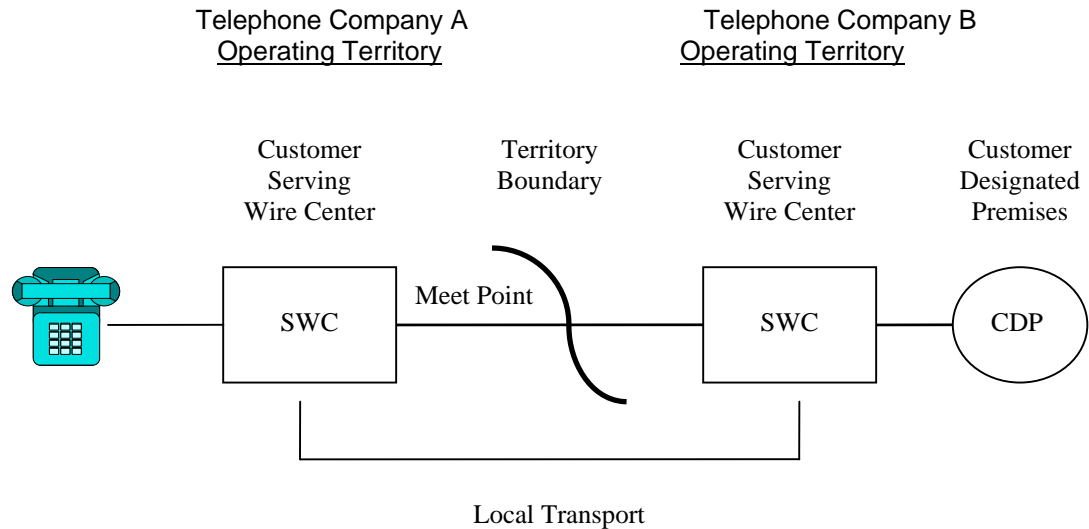
(B) (Cont'd)

will bill the customer Switched Access Service originating Local Transport charges and End Office rates as set forth in Section 6 for all such access minutes; for FGB Switched Access Service the Secondary Exchange Carrier(s) will bill the customer Switched Access Service End Office rates as set forth in Section 6 following for all such access minutes. Such Switched Access Service charges will be in addition to those charged by the Primary Exchange Carrier. The customer will place the order for these services as set forth in 5.2.8(A) following. (T)

(C) Example - Switched Access

(1) Layout

- (a) Feature Group C Switched Access is ordered to End Office A.
- (b) End Office A is in operating territory of Telephone Company A.
- (c) Customer designated premises is in operating territory of Telephone Company B.



Issued: May 7, 2012

Issued By

Kenneth Mason

Effective: July 3, 2012

Vice President Government & Regulatory Affairs

Advice No. NV-12-03

SECTION NO. 2

2. General Regulations (Cont'd)2.4 Payment Arrangements and Credit Allowances (Cont'd)2.4.8 Access Services Provided By More Than One Telephone Company (Cont'd)(C) Example - Switched Access (Cont'd)

The following examples reflect rates for ECA company (TC A). Rates for Non-ECA company would appear in the appropriate access tariff.

(2) Assume:

Airline miles (ALM) TC A premises to TC B premises = 22.1, rounded = 23.

Billing Percentage (BP)

TC A = 20%

TC B = 80%

Interconnection Point (ICP) Factor

TC A = 4/23

TC B = 19/23

Access Minutes (AM) = 9000

Local Transport Rates:

TC A: \$.000612 Local Transport Facility (LT FAC)

.014957 Local Transport Termination (LT TERM)

(3) BP Method

Formula:

Access Minutes (AM) x Airline Miles (ALM) x Billing Percentage (BP) x
Local Transport Facility (LT FAC) + Local Transport Termination (LT
TERM) x Access Minute (AM) / 2 = Total

Calculation:

TC A

AM	ALM	BP	LT FAC	LT TERM	AM	Total
9000	x 23	x .20	x \$.000612	+ (\$.014957	x 9000 / 2)	= \$92.64

Issued: February 15, 2002

Issued By

Laurie A. Maffett

Effective: April 18, 2002 Vice President Regulatory and Government Affairs

Advice No.:

SECTION NO. 2

2. General Regulations (Cont'd)

2.4 Payment Arrangements and Credit Allowances (Cont'd)

2.4.8 Access Service Provided By More Than One Telephone Company (Cont'd)

(C) Example - Switched Access (Cont'd)

(4) ICP Method

Formula:

Access Minutes (AM) x ICP Factor x Local Transport
Facility (LT FAC) + Local Transport Termination
(LT TERM) x Access Minutes / 2 = Total

Calculation:

TC A

AM ALM ICP Factor LT FAC LT TERM AM TOTAL

9000 x 23 x 4/23 x \$.000612 + (\$.014957 x 9000 / 2) = \$89.34

2.5 Connections

2.5.1 General

Equipment and Systems (i.e., terminal equipment, multiline terminating systems and communications systems) may be connected with Switched and Special Access Service furnished by the Telephone Company where such connection is made in accordance with specified provisions.

SECTION NO. 2

2. General Regulations (Cont'd)

2.6 Definitions

Certain terms used herein are defined as follows:

Access Code

The term "Access Code" denotes a uniform five or seven digit code assigned by the Telephone Company to an individual customer. The five digit code has the form 10XXX, and the seven digit code has the form 950-10XX.

Access Minutes

The term "Access Minutes" denotes that usage of exchange facilities for the purpose of calculating chargeable usage. On the originating end usage is measured from the time the originating end user's call is delivered by the Telephone Company to and acknowledged as received by the customer's facilities connected with the originating exchange. On the terminating end usage is measured from the time the call is received by the end user in the terminating exchange. Timing of usage at both originating and terminating ends shall terminate when the calling or called party disconnects, whichever event is recognized first in the originating and terminating and exchanges, as applicable.

Access Tandem

The term "Access Tandem" denotes a Telephone Company switching system that provides a concentration and distribution function for originating or terminating traffic between end offices and a customer's premises.

Answer/Disconnect Supervision

The term "Answer/Disconnect Supervision" denotes the transmission of the switch trunk equipment supervisory signal (off-hook or on-hook) to the customer's point of termination as an indication that the called party has answered or disconnected.

Issued: February 15, 2002

Issued By
Laurie A. Maffett

Effective: April 18, 2002 Vice President Regulatory and Government Affairs

Advice No.:

SECTION NO. 2

2. General Regulations (Cont'd)

2.6 Definitions (Cont'd)

Attenuation Distortion

The term "Attenuation Distortion" denotes the difference in loss at specified frequencies relative to the loss at 1004 Hz, unless otherwise specified.

Balance (100 Type) Test Line

The term "Balance (100 Type) Test Line" denotes an arrangement in an end office which provides for balance and noise testing.

Bit

The term "Bit" denotes the smallest unit of information in the binary system of notation.

Issued: February 15, 2002

Issued By
Laurie A. Maffett

Effective: April 18, 2002 Vice President Regulatory and Government Affairs

Advice No.:

SECTION NO. 2

2. General Regulations (Cont'd)

2.6 Definitions (Cont'd)

Business Day

The term "Business Day" denotes the times of day that a company is open for business. Generally, in the business community, these are 8:00 or 9:00 A.M. to 5:00 or 6:00 P.M., respectively, with an hour for lunch, Monday through Friday, resulting in a standard forty (40) hour work week. However, Business Day hours for the Telephone Company may vary based on company policy, union contract and location.

Busy Hour Minutes of Capacity (BHMC)

The term "Busy Hour Minutes of Capacity (BHMC)" denotes the customer specified maximum amount of Switched Access Service and/or Directory Assistance Service access minutes the customer expects to be handled in an end office switch during any hour in an 8:00 A.M. to 11:00 P.M. period for the Feature Group and/or Directory Assistance Service ordered. This customer furnished BHMC quantity is the input data the Telephone Company uses to determine the number of transmission paths for the Feature Group and/or Directory Assistance Service ordered.

Call

The term "Call" denotes a customer attempt for which the complete address code (e.g., 0-, 911, or 10 digits) is provided to the serving dial tone office.

SECTION NO. 2

2. General Regulations (Cont'd)

2.6 Definitions (Cont'd)

Carrier or Common Carrier

See Interexchange Carrier.

CCS

The term "CCS" denotes a hundred call seconds, which is a standard unit of traffic load that is equal to 100 seconds of usage or capacity of a group of servers (e.g., trunks).

Central Office

The term "Central Office" denotes a local Telephone Company switching system where Telephone Exchange Service customer station loops are terminated for purposes of interconnection to each other and to trunks.

Central Office Maintenance Technician

The term "Central Office Maintenance Technician" denotes a Telephone Company employee who performs installation and/or repair work, including testing and trouble isolation, within the Telephone Company Central Office.

Central Office Prefix

The term "Central Office Prefix" denotes the first three digits (NXX) of the seven digit telephone number assigned to a customer's Telephone Exchange Service when dialed on a local basis.

Issued: February 15, 2002

Issued By
Laurie A. Maffett

Effective: April 18, 2002 Vice President Regulatory and Government Affairs

Advice No.:

SECTION NO. 2

2. General Regulations (Cont'd)

2.6 Definitions (Cont'd)

Centralized Automatic Reporting on Trunks Testing

The term "Centralized Automatic Reporting on Trunks Testing" denotes a type of testing which includes the capacity for measuring operational and transmission parameters.

Channel(s)

The term "Channel(s)" denotes an electrical or photonic, in the case of fiber optic-based transmission systems, communications path between two or more points of termination.

Channel Service Unit

The term "Channel Service Unit" denotes equipment which performs one or more of the following functions: termination of a digital facility, regeneration, of digital signals, detection and/or correction of signal format error, and remote loop back.

Channelize

The term "Channelize" denotes the process of multiplexing- demultiplexing wider bandwidth or higher speed channels into narrower bandwidth or lower speed channels.

C-Message Noise

The term "C-Message Noise" denotes the frequency weighted average noise within an idle voice channel. The frequency weighting, called C-message, is used to simulate the frequency characteristic of the 500-type telephone set and the hearing of the average subscriber.

SECTION NO. 2

2. **General Regulations (Cont'd)**

2.6 **Definitions (Cont'd)**

C-Notched Noise

The term "C-Notched Noise" denotes the C-message frequency weighted noise on a voice channel with a holding tone, which is removed at the measuring end through a notch (very narrow band) filter.

Coin Station

The term "Coin Station" denotes a location where Telephone Company equipment is provided in a public or semipublic place where Telephone Company customers can originate telephonic communications and pay the applicable charges by inserting coins into the equipment.

Common Channel Signaling

The term "Common Channel Signaling" (CCS) denotes a high speed packet switched communications network which is separate (out of band) from the public packet switched and message networks. Its purpose is to carry addressed signaling messages for individual circuits and/or database related services between Signaling Points in the CCS network.

Common Line

The term "Common Line" denotes a line, trunk, pay telephone line or other facility provided under the general and/or local exchange service tariffs of the Telephone Company, terminated on a central office switch. A common line-residence is a line or trunk provided under the residence regulations of the general and/or local exchange service tariffs. A common line-business is a line provided under the business regulations of the general and/or local exchange service tariffs.

Communications System

The term "Communications System" denotes channels and other facilities which are capable of communications between terminal equipment provided by other than the Telephone Company.

Issued: February 15, 2002

Issued By
Laurie A. Maffett

Effective: April 18, 2002 Vice President Regulatory and Government Affairs

Advice No.:

ACCESS SERVICES

CITIZENS TELECOMMUNICATIONS COMPANY OF NEVADA
d/b/a Frontier Communications of Nevada
180 S. Clinton Ave. Rochester, NY 14646
P.U.C.N. Tariff No. A-3

1st Revised Sheet No. 2-56
Cancels Original Sheet No. 2-56

SECTION NO. 2

2. General Regulations (Cont'd)

2.6 Definitions (Cont'd)

Customer(s)

The term "Customer(s)" denotes any individual, partnership, association, joint-stock company, trust, corporation, or governmental entity or other entity which subscribes to the services offered under this tariff, including both Interexchange Carriers (ICs) and End Users.

Customer Designated Premises (CDP)

(T)

A CDP may be designated by the customer for Switched Access, Special Access, or both in combination. When a customer orders Special Access to connect to a Telephone Company Switch, that switch is a CDP where the Special Access Service terminates. Customer transmission facilities and equipment terminated in Telephone Company central offices under Expanded Interconnection Service (EIS) arrangements, as defined in Frontier Telephone Companies Tariff FCC No. 1, Section 16 are not considered a CDP. However, Telephone Company Special Access Services may be interconnected to such customer equipment using a Cross Connect arrangement.

(C)

(C)

Issued: February 25, 2015

Issued By
Jack Phillips

Effective: March 12, 2015

Director Government and External Affairs

Advice No.: NV-15-01 Supplement 1

SECTION NO. 2**2. General Regulations (Cont'd)****2.6 Definitions (Cont'd)****Customer Message**

The term "Customer Message" used herein for Feature Group A Switched Access Service denotes a completed call over Feature Group A Switched Access Service. A completed call includes both completed calls originated to and terminated from a Feature Group A Switched Access Service. A customer message begins in the originating direction when the off-hook supervision provided by the premise of the ordering customer is received by Telephone Company recording equipment. A customer message begins in the terminating direction when answer supervision is received by Telephone Company recording equipment indicating the called party has answered. A customer message ends in the originating direction when disconnect supervision is received by Telephone Company recording equipment from the premise of the ordering customer. A customer message ends in the terminating direction when disconnect supervision is received by Telephone Company recording equipment from either the premise of the ordering customer or the called party.

The term "Customer Message" used herein for Feature Group C and D Switched Access Service denotes a completed call originated by a customer's end user. A customer message is when answer supervision from the premise of the ordering customer is received by Telephone Company recording equipment indicating that the called party has answered. A message ends when disconnect supervision is received by Telephone Company recording equipment from either the premise of the ordering customer or the customer's end user premise from which the call originated.

Data Transmission (107 Type) Test Line

The term "Data Transmission (107 Type) Test Line" denotes an arrangement which provides for a connection to a signal source which provides test signals for one-way testing of data and voice transmission parameters.

Decibel

The term "Decibel" denotes a unit used to express relative difference in power, usually between acoustic or electric signals, equal to ten (10) times the common logarithm of the ratio of two signal powers.

Issued: February 15, 2002**Issued By
Laurie A. Maffett****Effective: April 18, 2002 Vice President Regulatory and Government Affairs****Advice No.:**

SECTION NO. 2

2. General Regulations (Cont'd)

2.6 Definitions (Cont'd)

Decibel Reference Noise C-Message Weighting

The term "Decibel Reference Noise C-Message Weighting" denotes noise power measurements with C-Message Weighting in decibels relative to a reference 1000 Hz tone of 90 dB below 1 milliwatt.

Decibel Reference Noise C-Message Referenced to O

The term "Decibel Reference Noise C-Message Referenced to O" denotes noise power in "Decibel Reference Noise C-Message Weighting" referred to or measured at a zero transmission level point.

Detail Billing

The term "Detail Billing" denotes the listing of each message and/or rate element for which charges to a customer are due on a bill prepared by the Telephone Company.

Directory Assistance

The term "Directory Assistance" denotes the provision of telephone numbers by a Telephone Company operator when the operator location is accessed by a customer by dialing NPA + 555-1212 or 555-1212.

Directory Assistance Location

The term "Directory Assistance Location" denotes a Telephone Company office where telephone company equipment first receives the Directory Assistance call from the customer's end user and selects the first operator position to respond to the Directory Assistance call.

Dominant Carrier

The term "Dominant Carrier" denotes the company designated by the Commission to provide Intrastate IntraLATA (B-I) toll and Private Line Services.

Issued: February 15, 2002

Issued By
Laurie A. Maffett

Effective: April 18, 2002 Vice President Regulatory and Government Affairs

Advice No.:

SECTION NO. 2

2. General Regulations (Cont'd)

2.6 Definitions (Cont'd)

Dual Tone Multifrequency Address Signaling

The term "Dual Tone Multifrequency Address Signaling" denotes a type of signaling that is an optional feature of Switched Access Feature Group A. It may be utilized when Feature Group A is being used in the terminating direction (from the point of termination with the customer to the local exchange end office). An office arranged for Dual Tone Multifrequency Signaling would expect to receive address signals from the customer in the form of Dual Tone Multifrequency signals.

Echo Control

The term "Echo Control" denotes the control of reflected signals in a telephone transmission path.

Echo Path Loss

The term "Echo Path Loss" denotes the measure of reflected signal at a 4-wire point of interface without regard to the send and receive Transmission Level Point.

Echo Return Loss

The term "Echo Return Loss" denotes a frequency weighted measure of return loss over the middle of the voiceband (approximately 500 to 2500 Hz), where talker echo is most annoying.

Issued: February 15, 2002

Issued By
Laurie A. Maffett

Effective: April 18, 2002 Vice President Regulatory and Government Affairs

Advice No.:

SECTION NO. 2

2. General Regulations (Cont'd)

2.6 Definitions (Cont'd)

Effective 2-Wire

The term "Effective 2-Wire" denotes a condition which permits the simultaneous transmission in both directions over a channel, but it is not possible to insure independent information transmission in both directions. Effective 2-wire channels may be terminated with 2-wire or 4-wire interfaces.

Effective 4-Wire

The term "Effective 4-Wire" denotes a condition which permits the simultaneous independent transmission of information in both directions over a channel. The method of implementing effective 4-wire transmission is at the discretion of the Telephone Company (physical, time domain, frequency-domain separation or echo cancellation techniques). Effective 4-wire channels may be terminated with a 2-wire interface at the customer's premises. However, when terminated 2-wire, simultaneous independent transmission cannot be supported because the two wire interface combines the transmission paths into a single path.

End Office Switch

The term "End Office Switch" denotes a local Telephone Company switching system where Telephone Exchange Service customer station loops are terminated for purposes of interconnection to trunks. Included are Remote Switching Modules and Remote Switching Systems served by a host office in a different wire center.

End User

The term "End User" denotes any customer that is not a carrier, except that a carrier shall be deemed to be an "end user" to the extent that such carrier uses a telecommunications service for administrative purposes, without making such service available to others, directly or indirectly.

Entry Switch

See First Point of Switching

SECTION NO. 2

2. General Regulations (Cont'd)

2.6 Definitions (Cont'd)

Envelope Delay Distortion

The term "Envelope Delay Distortion" denotes a measure of the linearity of the phase versus frequency of a channel.

Equal Level Echo Path Loss

The term "Equal Level Echo Path Loss" (ELEPL) denotes the measure of Echo Path Loss (EPL) at a 4-wire interface which is corrected by the difference between the send and receive Transmission Level Point (TLP). (ELEPL = EPL - TLP (send) + TLP (receive))

Exchange

The term "Exchange" denotes a unit generally smaller than a local access and transport area, established by the Telephone Company for the administration of communications service in a specified area which usually embraces a city, town or village and its environs. It consists of one or more central offices together with the associated facilities used in furnishing communications service within that area. The exchange includes any Extended Area Service area that is an enlargement of a Telephone Company's exchange area to include nearby exchanges. One or more designated exchanges comprise a given local access and transport area.

Exit Message

The term "Exit Message" denotes an SS7 message sent to an end office by the Telephone Company's tandem switch to mark the Carrier Connect Time when the Telephone Company's tandem switch sends an Initial Address Message to an interexchange customer.

Expected Measured Loss

The term "Expected Measured Loss" denotes a calculated loss which specifies the end-to-end 1004-Hz loss on a terminated test connection between two readily accessible manual or remote test points. It is the sum of the inserted connection loss and test access loss including any test pads.

Extended Area Service

(See Definition of Exchange)

Issued: February 15, 2002

Issued By
Laurie A. Maffett

Effective: April 18, 2002 Vice President Regulatory and Government Affairs

Advice No.:

SECTION NO. 2

2. **General Regulations (Cont'd)**

2.6 **Definitions (Cont'd)**

Field Identifier

The term "Field Identifier" denotes two to four characters that are used on service orders to convey specific instructions. Field Identifiers may or may not have associated data. Selected Field Identifiers are used in Telephone Company billing systems to generate non-recurring charges.

First Point of Switching

The term "First Point of Switching" denotes the first Telephone Company location at which switching occurs on the terminating path of a call proceeding from the customer premises to the terminating end office and, at the same time, the last Telephone Company location at which switching occurs on the originating path of a call proceeding from the originating end office to the customer premises.

Frequency Shift

The term "Frequency Shift" denotes the change in the frequency of a tone as it is transmitted over a channel.

Grandfathered

The term "Grandfathered" denotes Terminal Equipment, Multiline Terminating Systems and Protective Circuitry directly connected to the facilities utilized to provide services under the provisions of this tariff, and which are considered grandfathered under Part 68 of the F.C.C.'s Rules and Regulations.

Host Office

The term "Host Office" denotes an electronic switching system which provides call processing capabilities for one or more Remote Switching Modules or Remote Switching Systems.

SECTION NO. 2

2. General Regulations (Cont'd)

2.6 Definitions (Cont'd)

Immediately Available Funds

The term "Immediately Available Funds" denotes a corporate or personal check drawn on a bank account and funds which are available for use by the receiving party on the same day on which they are received and include U.S. Federal Reserve bank wire transfers, U.S. Federal Reserve notes (paper cash), U.S. coins, U.S. Postal Money Orders and New York Certificates of Deposit.

Impedance Balance

The term "Impedance Balance" denotes the method of expressing Echo Return Loss and Singing Return Loss at a 4-wire interface whereby the gains and/or loss of the 4 wire portion of the transmission path, including the hybrid, are not included in the specification.

Issued: February 15, 2002

Issued By
Laurie A. Maffett

Effective: April 18, 2002 Vice President Regulatory and Government Affairs

Advice No.:

SECTION NO. 2

2. General Regulations (Cont'd)

2.6 Definitions (Cont'd)

Impulse Noise

The term "Impulse Noise" denotes any momentary occurrence of the noise on a channel over a specified level threshold. It is evaluated by counting the number of occurrences which exceed the threshold.

Individual Case Basis

The term "Individual Case Basis" denotes a condition in which the regulations, if applicable, rates and charges for an offering under the provisions of this tariff are developed based on the circumstances in each case.

Initial Address Message

The term "Initial Address Message" denotes an SS7 message sent in the forward direction to initiate trunk set up, reserve an outgoing trunk and process the information about that trunk along with other data relating to the routing and handling of the call to the next switch.

Inserted Connection Loss

The term "Inserted Connection Loss" denotes the 1004 Hz power difference (in dB) between the maximum power available at the originating end and the actual power reaching the terminating end through the inserted connection.

Installation and Repair Technician

The term "Installation and Repair Technician" denotes a Telephone Company employee who performs installation and/or repair work, including testing and trouble isolation, outside of the Telephone Company Central Office and generally at the customer's designated premises.

Interexchange Carrier (IC) or Interexchange Common Carrier

The terms "Interexchange Carrier" (IC) or "Interexchange Common Carrier" denotes any individual, partnership, association, joint-stock company, trust, governmental entity or corporation engaged for hire in intrastate or foreign communication by wire or radio, between two or more exchanges.

Issued: February 15, 2002

Issued By
Laurie A. Maffett

Effective: April 18, 2002 Vice President Regulatory and Government Affairs

Advice No.:

SECTION NO. 2

2. General Regulations (Cont'd)

2.6 Definitions (Cont'd)

Intermodulation Distortion

The term "Intermodulation Distortion" denotes a measure of the nonlinearity of a channel. It is measured using four tones, and evaluating the ratios (in dB) of the transmitted composite four-tone signal power to the second-order products of the tones (R2), and the third-order products of the tones (R3).

Interstate Communications

The term "Interstate Communications" denotes interstate communications.

Intrastate Communications

The term "Intrastate Communications" denotes both intrastate and foreign communications within a state subject to oversight by a state regulatory commission as provided by the laws of the state involved.

Issued: February 15, 2002

Issued By
Laurie A. Maffett

Effective: April 18, 2002 Vice President Regulatory and Government Affairs

Advice No.:

SECTION NO. 2

2. **General Regulations (Cont'd)**

2.6 **Definitions (Cont'd)**

Line Side Connection

The term "Line Side Connection" denotes a connection of a transmission path to the line side of a local exchange switching system.

Local Access and Transport Area

The term "Local Access and Transport Area" denotes a geographic area established for the provision and administration of communications service. It encompasses one or more designated exchanges, which are grouped to serve common social, economic and other purposes.

Local Tandem Switch

The term "Local Tandem Switch" denotes a local Telephone Company switching unit by which local or access telephonic communications are switched to and from an End Office Switch.

Loop Around Test Line

The term "Loop Around Test Line" denotes an arrangement utilizing a Telephone Company central office to provide a means to make certain two-way transmission tests on a manual basis. This arrangement has two central office terminations, each reached by means of separate telephone numbers and does not require any specific customer premises equipment. Equipment subject to this test arrangement is at the discretion of the customer.

Issued: February 15, 2002

Issued By
Laurie A. Maffett

Effective: April 18, 2002 Vice President Regulatory and Government Affairs

Advice No.:

SECTION NO. 2

2. General Regulations (Cont'd)

2.6 Definitions (Cont'd)

Loss Deviation

The term "Loss Deviation" denotes the variation of the actual loss from the designed value.

Message

The term "Message" denotes a "call" as defined preceding.

Milliwatt (102 Type) Test Line

The term "Milliwatt (102 Type) Test Line" denotes an arrangement in an end office which provides a 1004 Hz tone at 0 dBm0 for one-way transmission measurements towards the customers' premises from the Telephone Company end office.

Issued: February 15, 2002

Issued By
Laurie A. Maffett

Effective: April 18, 2002 Vice President Regulatory and Government Affairs

Advice No.:

SECTION NO. 2

2. General Regulations (Cont'd)

2.6 Definitions (Cont'd)

Network Control Signaling

The term "Network Control Signaling" denotes the transmission of signals used in the telecommunications system which perform functions such as supervision (control, status, and charge signals), address signaling (e.g., dialing), calling and called number identifications, rate of flow, service selection error control and audible tone signals (call progress signals indicating re-order or busy conditions, alerting, coin denominations, coin collect and coin return tones) to control the operation of the telecommunications system.

Nonsynchronous Test Line

The term "Nonsynchronous Test Line" denotes an arrangement in step-by-step end offices which provides operational tests which are not as complete as those provided by the synchronous test lines, but can be made more rapidly.

North American Numbering Plan

The term "North American Numbering Plan" denotes a three-digit area (Numbering Plan Area) code and a seven-digit telephone number made up of a three-digit Central Office code plus a four-digit station number.

Issued: February 15, 2002

Issued By
Laurie A. Maffett

Effective: April 18, 2002 Vice President Regulatory and Government Affairs

Advice No.:

SECTION NO. 2

2. General Regulations (Cont'd)

2.6 Definitions (Cont'd)

Off-hook

The term "Off-hook" denotes the active condition of Switched Access or a Telephone Exchange Service line.

On-hook

The term "On-hook" denotes the idle condition of Switched Access or a Telephone Exchange Service line.

Open Circuit Test Line

The term "Open Circuit Test Line" denotes an arrangement in an end office which provides an AC open circuit termination of a trunk or line by means of an inductor of several Henries.

Originating Direction

The term "Originating Direction" denotes the use of access service for the origination of calls from an End User Premises to an IC Premises.

Pay Telephone

The term "Pay Telephone" denotes Telephone Company provided instruments and related facilities that are available to the general public for public convenience and necessity, including public and semipublic telephones, and coinless telephones.

Phase Jitter

The term "Phase Jitter" denotes the unwanted phase variations of a signal.

Point of Termination

The term "Point of Termination" denotes the point of demarcation within a customer-designated premises at which the Telephone Company's responsibility for the provision of Access Service ends.

SECTION NO. 2

2. General Regulations (Cont'd)

2.6 Definitions (Cont'd)

Premises

The term "Premises" denotes a building or buildings on continuous property (except Railroad Right-of-Way, etc.) not separated by a public highway.

Primary Exchange Carrier

The term "Primary Exchange Carrier" denotes the Local Exchange Telephone Company in whose exchange a customer's first point of switching is located.

Release Message

The term "Release Message" denotes an SS7 Message sent in either direction to indicate that a specific circuit is being released.

Remote Switching Modules

The term "Remote Switching Modules and/or Remote Switching Systems" denotes small, remotely controlled electronic end office switches which obtain their call processing capability from an ESS-type Host Office. The Remote Switching Modules and/or Remote Switching Systems cannot accommodate direct trunks to an IC.

Return Loss

The term "Return Loss" denotes a measure of the similarity between the two impedances at the junction of two transmission paths. The higher the return loss, the higher the similarity.

Registered Equipment

The term "Registered Equipment" denotes the customer's premises equipment which complies with and has been approved within the Registration Provisions of Part 68 of the F.C.C.'s Rules and Regulations.

Secondary Exchange Carrier

The term "Secondary Exchange Carrier" denotes the Local Exchange Telephone Company in whose exchange a customer's end office is located and where that end office is not the customer's first point of switching.

Issued: February 15, 2002

Issued By
Laurie A. Maffett

Effective: April 18, 2002 Vice President Regulatory and Government Affairs

Advice No.:

SECTION NO. 2

2. General Regulations (Cont'd)

2.6 Definitions (Cont'd)

Service Switching Point (SSP)

A Service Switching Point denotes an end office or tandem which, in addition to having SS7 and SP capabilities, is also equipped to query centralized data base.

Serving Wire Center

The term "Serving Wire Center" denotes the wire center from which the customer designated premises would normally obtain dial tone from the Telephone Company.

Seven Digit Manual Test Line

The term "Seven Digit Manual Test Line" denotes an arrangement which allows the Customer to select balance, milliwatt and synchronous test lines by manually dialing a seven digit number over the associated access connection.

Shortage of Facilities or Equipment

The term "Shortage of Facilities or Equipment" denotes a condition which occurs when the Telephone Company does not have appropriate cable, switching capacity, bridging or, multiplexing equipment, etc., necessary to provide the Access Service requested by the customer.

Short Circuit Test Line

The term "Short Circuit Test Line" denotes an arrangement in an end office which provides for an AC short circuit termination of a trunk or line by means of a capacitor of at least four microfarads.

Signal-to-C-Notched Noise Ratio

The term "Signal-to-C-Notched Noise Ratio" denotes the ratio in dB of a test signal to the corresponding C-Notched Noise.

Issued: February 15, 2002

Issued By
Laurie A. Maffett

Effective: April 18, 2002 Vice President Regulatory and Government Affairs

Advice No.:

SECTION NO. 2

2. **General Regulations (Cont'd)**

2.6 **Definitions (Cont'd)**

Signaling Point (SP)

The term "Signaling Point" (SP) denotes an SS7 network interface element capable of originating and terminating SS7 trunk signaling messages.

Signaling System 7 (SS7)

The term "Signature System 7 (SS7)" denotes the layered protocol used for standardized common channel signaling in the United States and Puerto Rico.

Signal Transfer Point (STP)

The term "Signal Transfer Point (STP)" denotes a packet switch which provides access to the Telephone Company's SS7 network and performs SS7 message signal routing and screening.

Signal Transfer Point (STP) Port

The term "Signal Transfer Point (STP) Port" denotes the point of termination and interconnection to the STP.

Singing Return Loss

The term "Singing Return Loss" denotes the frequency weighted measure of return loss at the edges of the voiceband (200 to 500 Hz and 2500 to 3200 Hz), where singing (instability) problems are most likely to occur.

SECTION NO. 2

2. **General Regulations (Cont'd)**

2.6 **Definitions (Cont'd)**

Special Order

The term "Special Order" denotes an order for a Billing and Collection Service or an order for a Directory Assistance Service.

Subtending End Office of an Access Tandem

The term "Subtending End Office of an Access Tandem" denotes an end office that has final trunk group routing through that tandem.

Synchronous Test Line

The term "Synchronous Test Line" denotes an arrangement in an end office which performs marginal operational tests of supervisory and ring-tripping functions.

Terminating Direction

The term "Terminating Direction" denotes the use of Access Service for the completion of calls from an IC premises to an End User Premises.

Transmission Measuring (105 Type) Test Line/Responder

The term "Transmission Measuring (105 Type) Test Line/Responder" denotes an arrangement in an end office which provides far-end access to a responder and permits two-way loss and noise measurements to be made on trunks from a near end office.

SECTION NO. 2

2. General Regulations (Cont'd)

2.6 Definitions (Cont'd)

Transmission Path

The term "Transmission Path" denotes an electrical path capable of transmitting signals within the range of the service offering, e.g., a voice grade transmission path is capable of transmitting voice frequencies within the approximate range of 300 to 3000 Hz. A transmission path is comprised of physical or derived facilities consisting of any form or configuration of plant typically used in the telecommunications industry.

Trunk

The term "Trunk" denotes a communications path connecting two switching systems in a network, used in the establishment of an end-to-end connection.

Trunk Group

The term "Trunk Group" denotes a set of trunks which are traffic engineered as a unit for the establishment of connections between switching systems in which all of the communications paths are interchangeable.

Trunk Side Connection

The term "Trunk Side Connection" denotes the connection of a transmission path to the trunk side of a local exchange switching system.

SECTION NO. 2

2. **General Regulations (Cont'd)**

2.6 **Definitions (Cont'd)**

Two-Wire to Four-Wire Conversion

The term "Two-Wire to Four-Wire Conversion" denotes an arrangement which converts a four-wire transmission path to a two-wire transmission path to allow a four-wire facility to terminate in a two-wire entity (e.g., a central office switch).

Uniform Service Order Code

The term "Uniform Service Order Code" denotes a three or five character alphabetic, numeric, or an alphanumeric code that identifies a specific item of service or equipment. Uniform Service Order Codes are used in the Telephone Company billing system to generate recurring rates and non-recurring charges.

V and H Coordinates Method

The term "V and H Coordinates Method" denotes a method of computing airline miles between two points by utilizing an established formula which is based on the vertical and horizontal coordinates of the two points.

Wire Center

The term "Wire Center" denotes a building in which one or more central offices, used for the provision of Telephone Exchange Services, are located.

Issued: February 15, 2002

Issued By
Laurie A. Maffett

Effective: April 18, 2002 Vice President Regulatory and Government Affairs

Advice No.:

ACCESS SERVICES

CITIZENS TELECOMMUNICATIONS COMPANY OF NEVADA
180 S. Clinton Ave. Rochester, NY 14646
P.U.C.N. Tariff No. A-3

Original Sheet No. 3-1

SECTION NO. 3

3. Carrier Common Line Access Service

The Telephone Company will provide Carrier Common Line Access Service (Carrier Common Line Access) to customers.

3.1 General Description

Carrier Common Line Access provides for the use of Telephone Company common lines by customers for access to end users to furnish Intrastate Communications.

Carrier Common Line Access is provided where the customer obtains Telephone Company Switched Access Service under this tariff.

Premium Access is (1) Switched Access Service provided to ICs under this tariff which furnish intrastate MTS/WATS, and (2) Switched Access Service in an end office converted to equal access.

Non Premium Access is Switched Access Service provided in an end office not yet converted to equal access to customers that do not furnish intrastate MTS/WATS.

In addition, a Special Access Surcharge as set forth in 7.3 following will apply to intrastate special access service provided by the Telephone Company to a customer in accordance with regulations as set forth in 7.3 following.

Issued: February 15, 2002

Issued By
Laurie A. Maffett

Effective: April 18, 2002 **Vice President Regulatory and Government Affairs**

Advice No.:

SECTION NO. 3

3. Carrier Common Line Access Service (Cont'd)

3.2 Limitations

- (A) A telephone number is not provided with Carrier Common Line Access.
- (B) Detail billing is not provided for Carrier Common Line Access.
- (C) Directory listings are not included in the rates and charges for Carrier Common Line Access.
- (D) Intercept arrangements are not included in the rates and charges for Carrier Common Line Access.
- (E) All line side connections provided in the same combined access group will be limited to the same features and operating characteristics.
- (F) All trunk side connections provided in the same combined access group will be limited to the same features and operating characteristics.
- (G)

ACCESS SERVICES

CITIZENS TELECOMMUNICATIONS COMPANY OF NEVADA
d/b/a Frontier Communications of Nevada
180 S. Clinton Ave. Rochester, NY 14646
P.U.C.N. Tariff No. A-3

1st Revised Sheet No. 3-3
 Cancels Original Sheet No. 3-3

SECTION NO. 3

3. Carrier Common Line Access Service (Cont'd)

3.3 Undertaking of the Telephone Company

- (A) Where the customer is provided with Switched Access Service under other sections of this tariff, the Telephone Company will provide the use of Telephone Company common lines by a customer for access to end users at rates and charges as set forth in 3.8 following.
- (B) Where the customer is reselling outward MTS/WATS, MTS-type and/or WATS-type service(s) on which the Carrier Common Line and Switched Access Charges have been assessed, the customer may, at the option of the customer, employ ordinary local business exchange service at generally applicable local business exchange rates under the Telephone Company general and/or local exchange tariffs. Switched Access or Carrier Common Line Access Charges under this tariff will not apply for such access. If the customer wishes to obtain special arrangements such as trunk side service connections for such resale, the customer may, at the option of the customer, obtain Switched Access Service under this tariff as set forth in Section 6. following, except that Carrier Common Line Access charges will not apply for such access. (T)

Where the customer is reselling inward MTS, WATS (i.e., 800 Service), and/or MTS/WATS-type service(s) on which the Carrier Common Line and Switched Access charges have been assessed, the customer may, at the option of the customer, obtain Feature Group A, Feature Group B or Feature Group D Switched Access Service under this tariff as set forth in Section 6 following for terminating access in the local exchange, except that Carrier Common Line Access Charges will not apply for such access. Local business exchange service will not be provided to terminate such calls. For purposes of administering this provision, resold inward MTS and MTS-type service(s) shall be message calls (i.e., collect calls, third number calls and credit card calls) where the reseller pays the underlying carrier's service charges.

- (C) When access to the local exchange is required to provide a MTS/WATS-type service using a resold Private Line Service, Switched Access Service Rates and Regulations, as set forth in Section 6. following will apply. Carrier Common Line Access rates and charges as set forth in 3.8 following apply in accordance with the regulations as set forth in 3.7(F) following. (T)

Issued: May 7, 2012

Issued By
Kenneth Mason

Effective: July 3, 2012

Vice President Government & Regulatory Affairs

Advice No.: NV-12-03

SECTION NO. 3

3. Carrier Common Line Access Service (Cont'd)

3.3 Undertaking of the Telephone Company (Cont'd)

- (D) Where a multiline hunt group or trunk group arrangement is made up of (1) Feature Group A Switched Access Service arrangements and, as provided in 3.3(B) preceding, local exchange business lines used in association with outward MTS/WATS and/or MTS/WATS-type services or (2) Feature Group A Switched Access Service arrangements and, as provided in 3.3(B) preceding, other access arrangements associated with inward MTS/WATS and/or MTS/WATS-type service(s) and/or (3) Feature Group B or Feature Group D Switched Access Service arrangements and, as provided in 3.3(B) preceding, other access arrangements used in association with outward or inward MTS/WATS and/or MTS/WATS-type services, Carrier Common Line Access Charges for such combined access arrangements are calculated in accordance with the regulations in 3.7(D) following.

The Carrier Common Line Access Charges applicable to Feature Group A, Feature Group B or Feature Group D Switched Access Services associated with resold inward MTS/WATS and/or MTS/WATS-type services when such Feature Groups are provided as single lines or single trunks will be calculated in accordance with the method set forth in 3.7(D) following.

- (E) The Switched Access Service provided by the Telephone Company includes the Switched Access Service provided for intrastate communications and the Carrier Common Line Access rates and charges as set forth in 3.8 following apply in accordance with the regulations as set forth in 3.7(E) following.

Issued: February 15, 2002

Issued By

Laurie A. Maffett

Effective: April 18, 2002 Vice President Regulatory and Government Affairs

Advice No.:

ACCESS SERVICES

CITIZENS TELECOMMUNICATIONS COMPANY OF NEVADA
d/b/a Frontier Communications of Nevada
180 S. Clinton Ave. Rochester, NY 14646
P.U.C.N. Tariff No. A-3

1st Revised Sheet No. 3-5
Cancels Original Sheet No. 3-5

SECTION NO. 3

3. Carrier Common Line Access Service (Cont'd)

3.3 Undertaking of the Telephone Company (Cont'd)

- (F) When the IC is provided Operator Trunk-Coin or Combined Coin and Non-Coin or Operator Trunk-Full Feature Optional Features for sent-paid pay telephone access as set forth in Section 6, the Telephone Company will collect sent-paid monies from pay telephone stations and will remit monies to the IC as set forth in 3.6 following. The Telephone Company will provide message call detail format and bill periods used to determine the monies upon request from the IC. (T)

3.4 Obligations of the Customer

- (A) The Switched Access Service associated with Carrier Common Line Access shall be ordered by the customer under other sections of this tariff.
- (B) The customer facilities at the premises of ordering customer shall provide the necessary on-hook and off-hook supervision.
- (C) Unless the customer reports (1) intrastate use as set forth in (D) following or (2) Feature Group A, B or D Switched Access Service as set forth in (F) following, all Switched Access Service provided to the customer will be subject to Carrier Common Line Access charges.
- (D) When the customer reports interstate and intrastate use of Switched Access Service, the associated Carrier Common Line Access used by the customer for intrastate will be determined as set forth in 3.7(E) following.
- (E) Where Feature Group C end office switching is provided without Telephone Company recording and the IC records minutes of use which will be used to determine Carrier Common Line Access charges (i.e., Feature Group C operator and TSPS calls such as pay telephone sent-paid, operator-DDD, operator-person, collect, credit-card, third number and/or other like calls), the IC shall furnish such minutes of use detail to the Company in a timely manner. If the IC does not furnish the data to the Company, the IC shall identify all Switched Access Services which could carry such calls in order for the Company to accumulate the minutes of use through the use of special Telephone Company measuring and recording equipment.

Issued: May 7, 2012

Issued By
Kenneth Mason

Effective: July 3, 2012

Vice President Government & Regulatory Affairs

Advice No.: NV-12-03

ACCESS SERVICES

CITIZENS TELECOMMUNICATIONS COMPANY OF NEVADA
d/b/a Frontier Communications of Nevada
180 S. Clinton Ave. Rochester, NY 14646
P.U.C.N. Tariff No. A-3

1st Revised Sheet No. 3-6
Cancels Original Sheet No. 3-6

SECTION NO. 3

3. Carrier Common Line Access Service (Cont'd)

3.4 Obligations of the Customer (Cont'd)

- (F) When the customer orders combined access as set forth in 3.3(D) preceding, the customer will be charged the Carrier Common Line Access charges in accordance with the regulations as set forth in 3.7(D) following if the customer or the provider of the MTS/WATS service furnishes documentation of the MTS/WATS usage and/or the customer furnishes documentation of the MTS/WATS-type service. Such documentation supplied by the customer shall be supplied each month as set forth in Section 6. (T)
- (G) When the customer orders Switched Access Service as set forth in (F) preceding, the Telephone Company or the billing entity may request when resold MTS/WATS is involved, a certified copy of the customer's MTS/WATS usage billing from either the customer or the provider of the MTS/WATS Service and/or when resold MTS/WATS-type service is involved, a certified copy of customer's MTS/WATS-type usage billing from either the customer or the provider of the MTS/WATS-type service. The requests for this billing will relate back no more than 12 months prior to the current billing period.
- (H) Reserved For Future Use (T)

Issued: May 7, 2012

Effective: July 3, 2012

Advice No.: NV-12-03

Issued By
Kenneth Mason
Vice President Government & Regulatory Affairs

SECTION NO. 3

3. Carrier Common Line Access Service (Cont'd)

3.4 Obligations of the Customer (Cont'd)

- (l) Where Operator Trunk-Coin or Combined Coin and Non Coin or Operator Trunk-Full Feature Optional Features for sent-paid pay telephone access is provided to the IC and the IC wishes to receive the monies it is due for the monies collected by the Telephone Company from coin pay telephone stations, the IC shall furnish to the Telephone Company, at a location specified by the Telephone Company, the IC message call detail for the IC sent-paid (coin) pay telephone calls in accordance with the Telephone Company collection schedule. The IC message call detail furnished shall be in a standard format established by the Telephone Company. If no IC message call detail is received from the IC for each bill period established by the Telephone Company, the Telephone Company will assume there were no IC sent-paid (coin) pay telephone calls for the period. In addition the IC shall furnish a schedule of its charges for sent-paid (coin) calls to the Telephone at a location and date as specified by the Telephone Company. Any change in the IC's schedule of charges shall be furnished to the Telephone Company one day after the change becomes effective.

3.5 Payment Arrangements

- (A) The Company will bill the Carrier Common Line Access. The bill day (i.e., the billing date of the bill) in a month for each customer account will be established by the Company. Payment is due from the customer 31 days after the bill day date (payment date) or by the next bill date (i.e., same date in the following month as the bill date), whichever is the shortest interval, and is payable in immediately available funds. If such payment date is a Saturday, Sunday or Holiday (i.e., New Year's Day, Independence Day, Labor Day, Thanksgiving Day, Christmas Day, the second Tuesday in November, and a day when Washington's Birthday, Memorial Day or Columbus Day is legally observed), payment will be due from the customer as follows:

Issued: February 15, 2002

Issued By

Laurie A. Maffett

Effective: April 18, 2002 Vice President Regulatory and Government Affairs

Advice No.:

SECTION NO. 3

3. Carrier Common Line Access Service (Cont'd)

3.5 Payment Arrangements (Cont'd)

(A) (Cont'd)

If such payment date falls on a Sunday or on a Holiday which is observed on a Monday, the payment date shall be the first non-Holiday day following such Sunday or Holiday. If such payment date falls on a Saturday or on a Holiday which is observed on Tuesday, Wednesday, Thursday or Friday, the payment date shall be the last non-Holiday day preceding such Saturday or Holiday.

(B) Further, if any portion of the Carrier Common Line Access payment is received by the Company after the payment date as set forth in the (A) preceding, then a late payment penalty shall be due to the Company. The late payment penalty shall be the portion of the Carrier Common Line Access payment not received by the payment date times a late factor. The late factor shall be the lesser of:

- (1) the highest interest rate (in decimal value) which may be levied by law for commercial transactions, compounded daily for the number of days from the payment date to and including the date that the customer actually makes the payment to the Company, or
- (2) 0.000590 per day, compounded daily for the number of days from the payment date to and including the date that the customer actually makes the payment to the Company.

(C) In the event a billing dispute concerning a month's Carrier Common Line Access billed to the customer by the Company is resolved in favor of the Company, any payments withheld pending settlement of the dispute shall be subject to the late payment penalty set forth in (B) preceding. If the customer disputes the bill on or before the payment date, and pays the undisputed amount on or before the payment date, any late payment charge for the disputed amount will not start until 10 days after the payment date. If the billing dispute is resolved in favor of the customer, no late payment penalty will apply to the disputed amount. In addition, if the customer disputes the

Issued: February 15, 2002

Issued By

Laurie A. Maffett

Effective: April 18, 2002 Vice President Regulatory and Government Affairs

Advice No.:

ACCESS SERVICES

CITIZENS TELECOMMUNICATIONS COMPANY OF NEVADA
d/b/a Frontier Communications of Nevada
180 S. Clinton Ave. Rochester, NY 14646
P.U.C.N. Tariff No. A-3

1st Revised Original Sheet No. 3-9
Cancels Original Sheet No. 3-9

SECTION NO. 3

3. Carrier Common Line Access Service (Cont'd)

3.5 Payment Arrangements (Cont'd)

(C) (Cont'd)

billed amount and pays the total amount (i.e. the non-disputed amount and the disputed amount) on or before the payment date and the billing dispute is resolved in the favor of the customer, the customer will receive a credit for a disputed amount penalty from the billing entity if the billing dispute is not resolved within 10 working days following the payment date or the date the customer furnishes to the billing entity documentation to support its claim plus 10 working days, whichever date is the later date. The disputed amount penalty shall be the disputed amount resolved in the customer's favor times a penalty factor.

3.6 Payment of Coin Sent-Paid Monies

The Telephone Company will collect the monies from coin pay telephone stations and will determine and remit amounts due to an IC which is provided Operator Trunk-Coin or Combined Coin and Non-Coin or Operator Trunk-Full Feature Optional Features for sent-paid pay telephone access as set forth in Section 6:

(T)

(A) Bill Period Coin Revenue

The Telephone Company will establish a collection schedule for each coin pay telephone station and will collect the monies from the coin pay stations based on this collection schedule. The monies collected based on this schedule during each bill period established by the Telephone Company will be identified by coin pay telephone station and summed to develop the Bill Period Coin Revenue for each coin record day (i.e., the day a record is prepared and dated to show the amount due the IC).

(B) Total IC Coin Revenue

The Intrastate Total IC Coin Revenue will be determined by the Telephone Company based on the customer message call detail received from the customer for each bill period and the IC's schedule of charges for sent-paid coin calls. Such Total Customer Coin Revenue will be developed each coin record day.

Issued: May 7, 2012

Issued By
Kenneth Mason

Effective: July 3, 2012

Vice President Government & Regulatory Affairs

Advice No.: NV-12-03

SECTION NO. 3

3. Carrier Common Line Access Service (Cont'd)3.6 Payment of Coin Sent-Paid Monies (Cont'd)(C) Recourse Adjustments

For each coin record day, the Telephone Company will subtract from the Total IC Coin Revenue an amount for coin station shortages. Coin station shortages are amounts resulting from unauthorized calling at coin pay telephone stations, use of unauthorized coins (i.e., foreign coins, slugs and improper use of U.S. pennies), unauthorized removal of coins from coin pay telephone stations and coin refunds beyond the Telephone Company's control. Such amount for coin station shortages will be developed by the Telephone Company by multiplying the Total IC Coin Revenue for each coin record day by a shortage factor. Such amount will be rounded to the nearest penny. The shortage factor will be determined by dividing the yearly total coin shortage amount by the yearly total coin revenue amount (i.e. total coin revenue equals the coin revenue due under exchange tariffs, state toll tariffs, and interstate toll tariffs). The total coin shortage amount and the total revenue amount will be determined by the Telephone Company through an annual special study.

(D) Payment of Net IC Coin Revenue

The Telephone Company will determine the Net IC Coin Revenue for each coin record day by subtracting from the Total IC Coin Revenue determined as set forth in (B) preceding the amount for coin station shortages determined as set forth in (C) preceding. On the date (payment date) determined by adding 45 days to the coin record day, the Telephone Company will remit payment to the IC for the Net IC Coin Revenue.

Issued: February 15, 2002

Issued By

Laurie A. Maffett

Effective: April 18, 2002 Vice President Regulatory and Government Affairs

Advice No.:

SECTION NO. 3

3. Carrier Common Line Access Service (Cont'd)

3.6 Payment of Coin Sent-Paid Monies (Cont'd)

(E) Audit Provisions

Upon reasonable written notice by the customer to the Telephone Company, the customer shall have the right through its authorized representative to examine and audit, during normal business hours and at reasonable intervals as determined by the Telephone Company, all such records and accounts as may under recognized accounting practices contain information bearing upon the determination of the amount payable to the customer. Adjustment shall be made by the proper party to compensate for any errors or omissions disclosed by such examination or audit. Neither such right to examine and audit nor the right to receive such adjustment shall be affected by any statement to the contrary, appearing on checks or otherwise, unless such statement expressly waiving such right appears in a letter signed by the authorized representative of the party having such right and delivered to the other party.

All information received or reviewed by the customer or its authorized representative is to be considered confidential and is not to be distributed, provided or disclosed in any form to anyone not involved in the audit, nor is such information to be used for any other purpose.

3.7 Rate Regulations

(A) The Transitional Charges will be billed to each Switched Access Service provided under this tariff in accordance with the regulations as set forth in (F) following except as set forth in (D) and (E) following.

Issued: February 15, 2002

Issued By

Laurie A. Maffett

Effective: April 18, 2002 Vice President Regulatory and Government Affairs

Advice No.:

ACCESS SERVICES

CITIZENS TELECOMMUNICATIONS COMPANY OF NEVADA
d/b/a Frontier Communications of Nevada
180 S. Clinton Ave. Rochester, NY 14646
P.U.C.N. Tariff No. A-3

1st Revised Sheet No. 3-12
Cancels Original Sheet No. 3-12

SECTION NO. 3

3. Carrier Common Line Access Service (Cont'd)

3.7 Rate Regulations (Cont'd)

- (B) When access minutes are used to determine the Transitional Charges, they will be accumulated using call detail recorded by Telephone Company equipment except as set forth in (C) following and Feature Group C operator and TSPS call detail such as pay telephone sent-paid, operator-DDD, operator-person, collect, credit-card, third number and/or other like calls recorded by the customer. The Telephone Company measuring and recording equipment except as set forth in (C) following will be associated with end office or local tandem switching equipment and will record each originating and terminating access minute where answer supervision is received. The accumulated access minutes will be summed on a line by line basis, by line group or by end office, whichever type of account is used by the Telephone Company, for each customer and then rounded to the nearest minute.
- (C) When Carrier Common Line Access is provided in association with Feature Group A or Feature Group B Switched Access Service in Telephone Company offices that are not equipped for measurement capabilities, an assumed average intrastate access minutes will be used to determine the Transitional Charges. These assumed access minutes are as set forth in Section 6.

(T)

Issued: May 7, 2012

Effective: July 3, 2012

Advice No.: NV-12-03

Issued By
Kenneth Mason
Vice President Government & Regulatory Affairs

SECTION NO. 3

3. Carrier Common Line Access Service (Cont'd)

3.7 Rate Regulations (Cont'd)

- (D) When the customer is provided an access group to be used in conjunction with the resale of MTS/WATS and/or MTS/WATS-type services as set forth in 3.3(B) preceding, subject to the limitations of Carrier Common Line as set forth in 3.2 preceding, and the Company receives the usage information required to calculate the proration of Carrier Common Line as set forth in 3.4(F) preceding, the customer will be billed as set forth in (1), (2) or (3) following.

When more than one combined access group is provided in a LATA in association with the resale of outward MTS/WATS and/or MTS/WATS-type services, the billing entity will apportion the resold outward MTS/WATS and/or MTS/WATS-type services and originating minutes of use among the combined access groups. Such apportionment will be based on the relationship of the originating usage for each combined access group to the total originating usage for all combined access groups in the LATA. The involved resold minutes shall be only interstate outward MTS, MTS-type, WATS and WATS-type minutes and shall not include collect, third number, credit card or intrastate minutes of use.

In order for the rate regulations to apply as set forth in (1), (2) or (3) following, the combined access group and the resold outward MTS/WATS and/or MTS/WATS-type services must be provided in the same state in the same LATA, provided by the same Telephone Company and connected directly or indirectly. For those LATAs that have more than one state, the customer shall report the information by state within the LATA.

When more than one access group is provided in a LATA in association with the resale of inward MTS/WATS and/or MTS/WATS-type services, the billing entity will apportion the resold inward MTS/WATS and/or MTS/WATS-type services and terminating minutes of use among the access groups. Such apportionment will be based on the relationship of the terminating usage for each access group to the total terminating usage for all access groups in the LATA. The involved resold minutes shall be only interstate inward MTS and MTS-type (i.e., collect call, third number call, credit card call), WATS and WATS-type minutes and shall not include intrastate minutes of use, or MTS and MTS-type minutes of use paid for by another party.

Issued: February 15, 2002

Issued By
Laurie A. Maffett

Effective: April 18, 2002 Vice President Regulatory and Government Affairs

Advice No.:

SECTION NO. 3

3. Carrier Common Line Access Service (Cont'd)

3.7 Rate Regulations (Cont'd)

(D) (Cont'd)

In order for the rate regulations to apply as set forth in (1), (2) or (3) following, the access groups and the resold MTS/WATS and/or MTS/WATS-type services must be provided in the same state in the same exchange, provided by the same Telephone Company and connected directly or indirectly.

Each of the access group arrangements used by the customer in association with the resold MTS/WATS and/or MTS/WATS-type services must be connected either directly or indirectly to the customers' designated premises at which the resold MTS/WATS and/or MTS/WATS-type services are terminated. Direct connections are those arrangements where the access groups and resold MTS/WATS and/or MTS/WATS-type services are terminated at the same customers' designated premises.

Indirect outward connections are those arrangements where the access groups and resold outward MTS/WATS and/or MTS/WATS-type services are terminated at different customer designated premises in the same LATA. Such different customer designated premises are connected by facilities that permit a call to flow from combined access groups to resold outward MTS/WATS and/or MTS/WATS-type services.

Indirect inward connections are those arrangements where the combined access groups and resold inward MTS/WATS and/or MTS/WATS-type services are terminated at different customer designated premises in the same exchange. Such different customer designated premises are connected by facilities that permit a call to flow from resold inward MTS/WATS and/or MTS/WATS-type services to combined access groups.

The adjustments as set forth following will be computed separately for each combined access group.

Issued: February 15, 2002

Issued By
Laurie A. Maffett

Effective: April 18, 2002 Vice President Regulatory and Government Affairs

Advice No.:

SECTION NO. 3

3. Carrier Common Line Access Service (Cont'd)

3.7 Rate Regulations (Cont'd)

(D) (Cont'd)

(1) Combined Access Groups - Non Equal Access Offices Only

(a) Transitional Usage Rated Combined Access Groups

When all the usage on a combined access group originates from and/or terminates at end offices that have not been converted to equal access, the following regulations apply:

- (i) The Non Premium Access Charge per minute as set forth in 3.8 following will apply. The minutes billed Carrier Common Line Access Service charges will be the adjusted terminating intrastate access minutes plus the adjusted originating intrastate access minutes for such combined access groups. The adjusted terminating access minutes will be the terminating intrastate access minutes less the reported resold inward MTS/WATS and/or MTS/WATS-type service minutes of use; but not less than zero. The adjusted originating access minutes will be the originating intrastate access minutes less the reported resold outward MTS/WATS and/or MTS/WATS-type service minutes of use; but not less than zero.

Issued: February 15, 2002

Issued By

Laurie A. Maffett

Effective: April 18, 2002

Vice President Regulatory and Government Affairs

Advice No.:

ACCESS SERVICES

CITIZENS TELECOMMUNICATIONS COMPANY OF NEVADA
d/b/a Frontier Communications of Nevada
180 S. Clinton Ave. Rochester, NY 14646
P.U.C.N. Tariff No. A-3

1st Revised Sheet No. 3-16
Cancels Original Sheet No. 3-16

SECTION NO. 3

3. Carrier Common Line Access Service (Cont'd)

3.7 Rate Regulations (Cont'd)

(D) (Cont'd)

(1) Combined Access Groups - Non Equal Access Offices Only (Cont'd)

(a) Transitional Usage Rated Combined Access Groups (Cont'd)

(ii) One line side Switched Access Service for each resold outward WATS and/or WATS-type service reported as set forth in 3.4(F) preceding will be billed local business exchange service rates as set forth in Section 6 following. (T)

(iii) For line side Switched Access Service, the adjusted originating access minutes determined as set forth in (i) preceding and all the terminating access minutes will be billed Switched Access Service as set forth in Section 6 following. (T)

(iv) Any trunk side Switched Access Service provided will be billed Switched Access Service as set forth in Section 6 following. (T)

(2) Combined Access Groups - Equal Access Offices Only

(a) Premium Usage Rated Combined Access Groups

When all the usage on a combined access group originates from and/or terminates at end offices that have been converted to equal access, the following regulations apply:

(i) The Premium Access Charge per minute as set forth in 3.8 following will apply. The minutes billed Carrier Common Line Access Service charges will be the adjusted terminating intrastate access minutes and the adjusted originating intrastate access minutes for such combined access groups.

Issued: May 7, 2012

Effective: July 3, 2012

Advice No.: NV-12-03

Issued By
Kenneth Mason
Vice President Government & Regulatory Affairs

ACCESS SERVICES

CITIZENS TELECOMMUNICATIONS COMPANY OF NEVADA
d/b/a Frontier Communications of Nevada
180 S. Clinton Ave. Rochester, NY 14646
P.U.C.N. Tariff No. A-3

1st Revised Sheet No. 3-17
Cancels Original Sheet No. 3-17

SECTION NO. 3

3. Carrier Common Line Access Service (Cont'd)

3.7 Rate Regulations (Cont'd)

(D) (Cont'd)

(2) Combined Access Groups - Equal Access Offices Only (Cont'd)

(a) Premium Usage Rated Combined Access Groups (Cont'd)

(i) (Cont'd)

adjusted terminating access minutes will be the terminating intrastate access minutes less the reported resold inward MTS/WATS and/or MTS/WATS-type service minutes of use; but not less than zero. The adjusted originating access minutes will be the originating intrastate access minutes less the reported resold outward MTS/WATS and/or MTS/WATS-type service minutes of use; but not less than zero.

(ii) One line side Switched Access Service for each resold outward WATS and/or WATS-type service reported as set forth in 3.4(F) preceding will be billed local business exchange service rates as set forth in Section 6 following. (T)

(iii) For line side Switched Access Service, the adjusted originating access minutes determined as set forth in (a) preceding and all the terminating access minutes will be billed Switched Access Service as set forth in Section 6 following. (T)

(iv) Any trunk side Switched Access Service provided will be billed Switched Access Service as set forth in Section 6 following. (T)

Issued: May 7, 2012

Issued By

Kenneth Mason

Effective: July 3, 2012

Vice President Government & Regulatory Affairs

Advice No.: NV-12-03

ACCESS SERVICES

CITIZENS TELECOMMUNICATIONS COMPANY OF NEVADA
d/b/a Frontier Communications of Nevada
180 S. Clinton Ave. Rochester, NY 14646
P.U.C.N. Tariff No. A-3

1st Revised Sheet No. 3-18
Cancels Original Sheet No. 3-18

SECTION NO. 3

3. Carrier Common Line Access Service (Cont'd)

3.7 Rate Regulations (Cont'd)

(D) (Cont'd)

(3) Combined Access Groups - Non-Equal Access and Equal Access Offices

(a) Transitional Usage Rated Combined Access Groups

When a combined access group has usage that originates from and/or terminates at both end offices that have been converted to equal access and end offices that have not been converted, the following regulations apply:

- (i) The Transitional per minute charges as set forth in 3.8 following will apply. The minutes billed Carrier Common Line Access Service charges will be the adjusted terminating intrastate access minutes plus the adjusted originating intrastate access minutes for such combined access groups. The adjusted terminating access minutes will be the terminating intrastate access minutes less the reported resold inward MTS/WATS and/or MTS/WATS-type service minutes of use; but not more than zero. The adjusted originating access minutes will be the originating intrastate access minutes less the reported resold outward MTS/WATS and/or MTS/WATS-type service minutes of use; but not more than zero. The adjusted originating access minutes and the adjusted terminating access minutes will be apportioned between premium and non premium access minutes using end-office specific usage data when available, or when usage data are not available, the premium and non premium ratios developed as set forth in Section 6. The Premium and Non Premium per minute charges set forth in 3.8 following will apply as appropriate to the premium and non premium access minutes determined in this manner.

(T)

Issued: May 7, 2012

Effective: July 3, 2012

Advice No.: NV-12-03

Issued By
Kenneth Mason
Vice President Government & Regulatory Affairs

ACCESS SERVICES

CITIZENS TELECOMMUNICATIONS COMPANY OF NEVADA
d/b/a Frontier Communications of Nevada
180 S. Clinton Ave. Rochester, NY 14646
P.U.C.N. Tariff No. A-3

1st Revised Sheet No. 3-19
Cancels Original Sheet No. 3-19

SECTION NO. 3

3. Carrier Common Line Access Service (Cont'd)

3.7 Rate Regulations (Cont'd)

(D) (Cont'd)

(3) Combined Access Groups - Non-Equal Access and Equal Access Offices (Cont'd)

(a) Transitional Usage Rated Combined Access Groups (Cont'd)

- (ii) One line side Switched Access Service for each resold outward WATS and/or WATS-type service reported as set forth in 3.4(F) preceding will be billed local business exchange service rates as set forth in Section 6 following. (T)
- (iii) For line side Switched Access Service, the adjusted originating access minutes determined as set forth in (i) preceding and all the terminating access minutes will be billed Switched Access Service as set forth in Section 6 following. (T)
- (iv) Any trunk side Switched Access Service provided will be billed Switched Access Service as set forth in Section 6 following. (T)

Issued: May 7, 2012

Effective: July 3, 2012

Advice No.: NV-12-03

Issued By
Kenneth Mason
Vice President Government & Regulatory Affairs

SECTION NO. 3

3. Carrier Common Line Access Service (Cont'd)

3.7 Rate Regulations (Cont'd)

(D) (Cont'd)

- (4) The adjustment as set forth in (1), (2) and (3) preceding will be made to the involved customer account no later than either the next bill date, or the one subsequent to that, depending on when the usage report is obtained.
- (5) When the MTS/WATS-type and/or MTS/WATS usage is shown in hours, the number of hours shall be multiplied by 60 to develop the associated MTS/WATS-type and MTS/WATS minutes of use. If the MTS/WATS-type and/or MTS/WATS usage is shown in a unit that does not show hours or minutes, the customer shall provide a factor to convert the shown units to minutes.
- (6) If the required documentation is not received by the Telephone Company, the previously reported information as described in 3.4(F) preceding will be used for the next two months. For any subsequent month, no adjustment or credit will be made until the required documentation is delivered to the billing entity by the customer.
- (7) The adjustment as set forth in (1), (2) and (3) preceding will be made to the involved customer account after making the adjustments to the customer account as set forth in (E) following.

Issued: February 15, 2002

Issued By
Laurie A. Maffett

Effective: April 18, 2002 Vice President Regulatory and Government Affairs

Advice No.:

SECTION NO. 3

3. Carrier Common Line Access Service (Cont'd)

3.7 Rate Regulations (Cont'd)

- (E) When the customer reports interstate and intrastate use of in service Switched Access Service, the Carrier Common Line Access Transitional Charges will be billed only to intrastate Switched Access Service lines, trunks or access minutes based on the data reported by the customer as set forth in 2.3.10 preceding. The intrastate Switched Access Service Lines, trunks or access minutes will, after adjustment as set forth in (D) preceding, when necessary, be used to determine the Carrier Common Line Charges as set forth in (F) following.
- (F) After the adjustments as set forth in (D) and (E) preceding have been applied, when necessary, to the Switched Access Service lines, trunks or access minutes, the charges for the involved customer account will be determined as follows:

Issued: February 15, 2002

Issued By
Laurie A. Maffett

Effective: April 18, 2002 Vice President Regulatory and Government Affairs

Advice No.:

SECTION NO. 3

3. Carrier Common Line Access Service (Cont'd)

3.7 Rate Regulations (Cont'd)

(F) (Cont'd)

- (1) The access minutes for a Feature Group B when utilized for the provision of MTS/WATS service and Feature Group C or D Switched Access Service will be multiplied by the Transitional Charge - Premium Access per minute rate as set forth in 3.8 following to determine the charges.
- (2) The access minutes for a Feature Group A or B Switched Access Service originating from or terminating at an end office or access tandem converted to equal access will be multiplied by the Transitional Charge - Premium Access per minute rate as set forth in 3.8 following to determine the charges.
- (3) The access minutes for a Feature Group A or B Switched Access Service originating from or terminating at an end office or access tandem not converted to equal access will be multiplied by the Transitional Charge - Non Premium Access per minute rate as set forth in 3.8 following to determine the charges.
- (4) Carrier Common Line charges shall not be reduced as set forth in 3.3(B) preceding unless Switched Access Charges, as set forth in Section 6 following, are applied to the customers Switched Access Services.

Issued: February 15, 2002

Issued By
Laurie A. Maffett

Effective: April 18, 2002 Vice President Regulatory and Government Affairs

Advice No.:

ACCESS SERVICES

CITIZENS TELECOMMUNICATIONS COMPANY OF NEVADA
180 S. Clinton Ave. Rochester, NY 14646
P.U.C.N. Tariff No. A-3

1st Revised Sheet No. 3-23
Cancels Original Sheet No. 3-23

SECTION NO. 3

3. Carrier Common Line Access Service (Cont'd)

3.8 Rates and Charges

The rate for Carrier Common Line Access is:

Transitional Charge

	<u>IntraLATA</u>	<u>InterLATA</u>	
Premium Access, per minute			
- Terminating	\$ -0-	\$ -0-	
- Originating – Non 800/888	\$ -0-	\$ -0-	(C)
- Originating – 800/888	*	*	(N)
Non Premium Access, per minute			
- Terminating	\$ -0-	\$ -0-	
- Originating – Non 800/888	\$ -0-	\$ -0-	(C)
- Originating – 800/888	*	*	(N)

* See Frontier Telephone Companies Tariff FCC No. 1 for rates.

(N)

Issued: May 11, 2021

Effective: July 1, 2021

Advice No. NV-21-05

Issued By
Senior Vice President
Regulatory Affairs

SECTION NO. 4

4. End User Access Service

The Telephone Company will provide End User Access Service (End User Access) to end users who obtain local exchange service from the Telephone Company under its general and/or local exchange tariffs and end users which obtain intrastate WATS Service.

4.1 General Description

End User Access provides for the use of an End User Common Line (EUCL) and an intrastate WATS service by an end user.

4.2 Limitations

- (A) A telephone number is not provided with End User Access.
- (B) Detail billing is not provided with End User Access.
- (C) Directory listings are not included with End User Access.
- (D) Intercept arrangements are not included with End User Access.

4.3 Undertaking of the Telephone Company

The Telephone Company will provide use of an End User Access at rates and charges as set forth in 4.7 following, as follows:

- (A) Use of an EUCL by an end user and use of an intrastate WATS Access Line by end users in connection with intrastate Access Services provided under this tariff. Such use will be provided when the end user obtains local exchange service and an intrastate WATS service.
- (B) The Telephone Company will be responsible for contacts and arrangements with customers for the billing of End User Access charges.

Issued: February 15, 2002

Issued By
Laurie A. Maffett

Effective: April 18, 2002 Vice President Regulatory and Government Affairs

Advice No.:

SECTION NO. 4

4. End User Access Service (Cont'd)

4.4 Obligations of the End User

- (A) When the end user is a Radio Common Carrier (RCC) or provider of paging service, it shall designate whether the local exchange service it is provided by the Telephone Company is used as an access line for its services or used as an administrative line.

4.5 Payment Arrangements and Credit Allowances

(A) Minimum Period

The minimum period for which EUCL End User Access is provided to an end user and for which charges are applicable is the same as that in the general and/or local exchange tariffs for the associated local exchange service.

The minimum period for which intrastate WATS Access Line End User Access is provided to an end user and for which charges are applicable is the same as that for an intrastate WATS Access Line as set forth in the intrastate tariff.

(B) Cancellation of Application

End User Access is canceled when the order for the associated local telephone exchange service or intrastate WATS Access Line is canceled. No cancellation charges apply.

(C) Changes to Orders

When changes are made to orders for the local exchange service or intrastate WATS Access Line associated with End User Access, any necessary changes will be made for End User Access. No charges will apply.

(D) Allowance for Interruptions

When there is an interruption to an EUCL or intrastate WATS Access Line, requested End User Access credit allowances for interruptions will be provided as set forth for credit allowance for interruptions in 2.4.4 preceding.

Issued: February 15, 2002

Issued By
Laurie A. Maffett

Effective: April 18, 2002 Vice President Regulatory and Government Affairs

Advice No.:

SECTION NO. 4

4. End User Access Service (Cont'd)4.5 Payment Arrangements and Credit Allowances (Cont'd)(E) Temporary Suspension of Service

When an end user temporarily suspends its local exchange service which is associated with EUCL, one-half of the EUCL per month charge will be temporarily suspended for the time period the local exchange service is suspended.

When a customer temporarily suspends, where permitted in the appropriate intrastate tariff, its intrastate WATS Access Line, one-half of the appropriate End User Access per month charge will be temporarily suspended for the time period the intrastate WATS Access Line is suspended.

4.6 Rate Regulations

(A) EUCL per month charges will be billed to the end user of the associated Local Exchange Service or WATS Service.

(B)

(C) For each local exchange service used only as a path for the transmission of Radio Common Carrier (RCC) traffic between the Telephone Company serving wire center and the RCC's radio equipment, End User Access charges do not apply. End User Access Charges will apply to the Radio Common Carrier's local exchange service used for administrative purposes. This shall also include those Radio Common Carriers providing maritime service under Part 81 of the FCC Rules and Regulations.

A Radio Common Carrier is described as a common carrier engaged in the provision of Public Mobile Service, as defined in Part 22 of the FCC Rules and Regulations which is not also in the business of providing landline local exchange telephone service.

(D) For each local exchange service provided as Remote Call Forwarding (RCF) residential or business service, under the general and/or local exchange service tariffs, End User Access charges do not apply.

Issued: February 15, 2002

Issued By
Laurie A. Maffett

Effective: April 18, 2002 Vice President Regulatory and Government Affairs

Advice No.:

SECTION NO. 4

4. End User Access Service (Cont'd)

4.6 Rate Regulations (Cont'd)

- (E) For business Centrex CO and business Centrex CO-like service lines or trunks, the End User Common Line (EUCL)-Centrex CO rate as set forth in 4.7(B) following applies to each business line or trunk.

Centrex CO is a service that (1) uses a portion of a Telephone Company switch located at the Telephone Company central office to meet the customer's internal needs and serves as the customer's interface with the local and interexchange networks and (2) links the customer's main stations to the Telephone Company switch with subscriber loops.

Centrex CO-like services are services (e.g., ESSX, Centron, Centraflex, Airport Service, Hotel-Motel Service) that operate in a manner that is the same as Centrex CO and (1) are provided using switches located at Telephone Company central offices and (2) link customer main stations to the Telephone Company switch with subscriber loops.

Centrex CO Dormitory Service is a service to a college or university or school that serves both the university, college or school offices and the students or faculty dormitory (residential) quarters. Residential charges will apply to lines to the student or faculty dormitory (residential) quarters as set forth in 4.7(A) following. Business charges for lines to the university, college or school offices will apply as set forth in section 4.7(B). Charges shall be based on the number of residence and business lines reported to the Telephone Company by the end user.

- (F) When an end user is provided more than one local business exchange service in a state by the same Telephone Company, other than as specified in (C) and (D) preceding and when a local exchange service is provided as a business multiparty service under the general and/or local exchange service tariffs, each party is deemed to be a user of an EUCL and the End User Common Line (EUCL) Multiline Business Subscribers - Individual line or trunk rate shall apply to each party provided Multiline Business multiparty service, as set forth in 4.7(B) following.

Issued: February 15, 2002

Issued By
Laurie A. Maffett

Effective: April 18, 2002 Vice President Regulatory and Government Affairs

Advice No.:

SECTION NO. 4

4. End User Access Service (Cont'd)

4.6 Rate Regulations (Cont'd)

- (G) When an end user is provided a single local business exchange service, other than as specified in (C) and (D) preceding and when the local business exchange service is provided as a business multiparty service under the general and/or local exchange service tariffs, each party is deemed to be a user of an EUCL and the End User Common Line (EUCL) Residence and Single Line Business Subscriber - Individual line or trunk rate shall apply to each party provided single line business multiparty service, as set forth in 4.7(A) following.
- (H) When an end user is provided more than one local business exchange service in a state, by the same Telephone Company, other than as specified in (C) and (D) preceding, and when a local exchange service is provided as semi-public service under the general and/or local exchange service tariffs, the End User Common Line (EUCL) Multiline Business Subscriber - Individual line or trunk rate as set forth in 4.7(B) following, applies to each such business semi-public local exchange service.
- (I) When an end user is provided a single local business exchange service, other than as specified in (C) and (D) preceding and when the local business exchange service is provided as a semi-public service under the general and/or local exchange service tariffs, the End User Common Line (EUCL) Residence and Single Line Business Subscriber - Individual line or trunk rate as set forth in 4.7(A) following, applies to each such business semi-public local exchange service.
- (J) When an end user is provided more than one local business exchange service in a state, by the same Telephone Company, other than as specified in (C) and (D) preceding, and when a local exchange service is provided under the general and/or local exchange service tariffs that is not covered by (E), (F), and (H) preceding, the End User Common Line (EUCL)-Multiline Business Subscriber - Individual line or trunk rate as set forth in 4.7(B) following, applies to each such Multiline Business individual line or trunk.

Issued: February 15, 2002

Issued By
Laurie A. Maffett

Effective: April 18, 2002 Vice President Regulatory and Government Affairs

Advice No.:

SECTION NO. 4

4. End User Access Service (Cont'd)

4.6 Rate Regulations (Cont'd)

- (K) For each intrastate WATS Access Line provided under intrastate tariffs, the End User Common Line (EUCL)-Multiline Business Subscriber - Individual line or trunk rate as set forth in 4.7(B) following applies.
- (L) When an end user is provided a single local business exchange service in a state, other than as specified in (C) and (D) preceding, and when the local business exchange service is provided as a local business exchange service under the general and/or local exchange service tariffs, the End User Common Line (EUCL) Residence and Single Line Business Subscriber - Individual line or trunk rate as set forth in 4.7(A) following, applies to each such business individual line or trunk.
- (M) When an end user is provided a local residence exchange service in a state, other than as specified in (C) and (D) preceding and when the local residence exchange service is provided as a multiparty service under the general and/or local exchange service tariffs, each party is deemed to be a user of an EUCL and the End User Common Line (EUCL) Residence and Single Line Business Subscriber - Individual line or trunk rate shall apply to each party provided residence multiparty service as set forth in 4.7(A) following.

Issued: February 15, 2002

Issued By
Laurie A. Maffett

Effective: April 18, 2002 Vice President Regulatory and Government Affairs

Advice No.:

ACCESS SERVICES

CITIZENS TELECOMMUNICATIONS COMPANY OF NEVADA
180 S. Clinton Ave. Rochester, NY 14646
P.U.C.N. Tariff No. A-3

Original Sheet No. 4-7

SECTION NO. 4

4. End User Access Service (Cont'd)

4.6 Rate Regulations (Cont'd)

- (N) When an end user is provided a local residence exchange service in a state, other than as specified in (C) and (D) preceding, and when local residence exchange service is provided as semi-public service under the general and/or local exchange service tariffs, the End User Common Line (EUCL) Residence and Single Line Business Subscriber - Individual line or trunk rate, as set forth in 4.7(A) following, applies to each such semi-public local residence exchange service.
- (O) When an end user is provided a local residence exchange service in a state, other than as specified in (C) and (D) preceding, and when the local residence exchange service is provided under the general and/or local exchange service tariffs, the End User Common Line (EUCL) Residence and Single Line Business Subscriber - Individual line or trunk rate as set forth in 4.7(A) following, applies to each such local residence exchange service.

4.7 Rates and Charges

The rates for End User Access are:

- (A) End User Common Line (EUCL) - Residence and Single Line Business Subscriber, including Centrex CO and CO-Like Dormitory Service.

	<u>Rate Per Month</u>	
	<u>IntraLATA</u>	<u>InterLATA</u>
Individual line or trunk, each	\$ -0-	\$ -0-

- (B) End User Common Line (EUCL) - Multiline Business Subscriber

	<u>Rate Per Month</u>	
	<u>IntraLATA</u>	<u>InterLATA</u>
Individual line or trunk, including Centrex CO and CO-Like, each	\$ -0-	\$ -0-

Issued: February 15, 2002

Issued By
Laurie A. Maffett

Effective: April 18, 2002 Vice President Regulatory and Government Affairs

Advice No.:

SECTION NO. 5

5. Ordering Options for Switched and Special Access Service

5.1 General

This section sets forth the regulations and order related charges for Access Orders for Switched and Special Access Services. These charges are in addition to other applicable charges as set forth in other sections of this tariff.

An Access Order is an order to provide the customer with Switched Access Service or Special Access Service or to provide changes to existing services.

5.1.1 Ordering Conditions

A customer may order any number of services of the same type and between the same premises on a single Access Order. All details for services for a particular order must be identical except for those for multipoint service.

The customer shall provide all information necessary for the Telephone Company to provide and bill for the requested service. In addition to the order information required in 5.2 following, the customer must also provide:

- Customer name and premises address(es).
- Billing name and address (when different from customer name and address).
- Customer contact name(s) and telephone number(s) for the following provisioning activities: order negotiation, order confirmation, interactive design, installation and billing.

Orders for Feature Group A Switched Access Service shall be in lines.

Orders for Feature Group B Switched Access Service shall be in trunks.

SECTION NO. 5

5. Ordering Options for Switched and Special Access Service (Cont'd)

5.1 General (Cont'd)

5.1.2 Provision of Other Services

- (A) Testing Service, Additional Labor, Restoration Priority and Special Facilities Routing shall be ordered with an Access Order or as set forth in (B) following. The rates and charges for these services, as set forth in other sections of this tariff, will apply in addition to the ordering charges set forth in this section and the rates and charges for the Access Service with which they are associated.
- (B) With the agreement of the Telephone Company, the items listed in (A) preceding may subsequently be added to the order at any time, up to and including the service date for the Access Service. When added subsequently, charges for a design change as set forth in 5.2.2(C) following will apply when an engineering review is required.
- (C) Additional Engineering is not an ordering option, but will be applied to an Access Order when the Telephone Company determines that Additional Engineering is necessary to accommodate a customer request. Additional Engineering will only be required as set forth in 13.1 following. When it is required, the customer will be so notified and will be furnished with a written statement setting forth the justification for the Additional Engineering as well as an estimate of the charges. If the customer agrees to the Additional Engineering, a firm order will be established. If the customer does not want the service or facilities after being notified that Additional Engineering of Telephone Company facilities is required, the order will be withdrawn and no charges will apply. Once a firm order has been established, the total charge to the customer for the Additional Engineering may not exceed the estimated amount by more than 10%.

The regulations, rates and charges for Additional Engineering are as set forth in 13.1 following and are in addition to the regulations, rates and charges specified in this section.

Issued: February 15, 2002

Issued By
Laurie A. Maffett

Effective: April 18, 2002 Vice President Regulatory and Government Affairs

Advice No.:

SECTION NO. 5

5. Ordering Options for Switched and Special Access Service (Cont'd)

5.1 General (Cont'd)

5.1.3 Special Construction

The regulations, rates and charges for special construction are set forth in the NATIONAL EXCHANGE CARRIER ASSOCIATION TARIFF F.C.C. NO. 3, herewith concurred with and are in addition to the regulations, rates and charges specified in this section.

5.2 Access Order

An Access Order is used by the Telephone Company to provide a customer Access Service as follows:

- Switched Access Services as set forth in 6. following;
- Special Access Services as set forth in 7. following; and
- Other Services as set forth in 5.1.2 preceding.

When placing an order for Access Service, the customer shall provide, at a minimum, the following information:

- For Feature Group A Switched Access Service, the customer shall specify the number of lines and the first point of switching (i.e., dial tone office), the Local Transport options and Local Switching options desired. In addition, the customer shall specify whether the off-hook supervisory signaling is provided by the customer's equipment before the called party answers, or is forwarded by the customer's equipment when the called party answers. The customer shall also specify which lines are to be arranged in multiline hunt group arrangements and which lines are to be provided as single lines.

Issued: February 15, 2002

Issued By
Laurie A. Maffett

Effective: April 18, 2002 Vice President Regulatory and Government Affairs

Advice No.:

ACCESS SERVICES

CITIZENS TELECOMMUNICATIONS COMPANY OF NEVADA
d/b/a Frontier Communications of Nevada
180 S. Clinton Ave. Rochester, NY 14646
P.U.C.N. Tariff No. A-3

1st Revised Sheet No. 5-4
Cancels Original Sheet No. 5-4

SECTION NO. 5

5. Ordering Options for Switched and Special Access Service (Cont'd)

5.2 Access Order (Cont'd)

- For Feature Group B Switched Access Service, the customer shall specify the number of trunks and the end office when direct routing to the end office is desired or the access tandem switch when routing is desired via an access tandem switch and Local Transport options and Local Switching options desired. The customer shall also specify for terminating only access minutes, whether the trunks are to be arranged in trunk group arrangements or provided as single trunks.

- For Feature Group C and D Switched Access Service, the customer shall specify the number of busy hour minutes of capacity (BHMC) from the customer designated premises to the end office by Feature Group and by type of BHMC. This information is used to determine the number of transmission paths as set forth in Section 6. The customer shall also provide the number of BHMC or trunks (for customers other than providers of MTS or WATS) required for or to be converted to an SS7 Signaling capability. The customer then specifies the Local Transport and Local Switching options. (T)

Customers other than AT&T may, at their option, order FGD by specifying the number of trunks desired between customer designated premises and an entry switch. When ordering by trunk quantities rather than BHMC quantities to an access tandem, the customer must also provide the Telephone Company an estimate of the amount of traffic it will generate to and/or from each end office subtending the access tandem to assist the Telephone Company in its own efforts to project further facility requirements.

The WATS Access Line optional Feature may be ordered separately by a customer other than the customer which orders the FGC or FGD Switched Access Service. However, such WATS Access Lines must be ordered for use with FGC or FGD Switched Access Service. For the WATS Access Line optional feature, the customer shall specify the customer designated premises at which the WATS Access Line terminates, the type of line (i.e., two-wire or four-wire), the type of calling (i.e., originating or terminating) and the type of Supervisory Signaling. When the necessary screening functions are not provided at the wire center, which serves the customer designated originating or terminating premises, the Telephone Company will use the nearest wire center premises where the screening capacity exists.

Issued: May 7, 2012

Issued By
Kenneth Mason

Effective: July 3, 2012

Vice President Government & Regulatory Affairs

Advice No.: NV-12-03

SECTION NO. 5

5. Ordering Options for Switched and Special Access Service (Cont'd)

5.2 Access Order (Cont'd)

- For Directory Assistance Service, the customer shall specify the number of busy hour minutes of capacity (BHMC) from the customer designated premises to the Directory Assistance location. If the Directory Assistance Service is to be combined with a Feature Group B, C or D Switched Access Service, the customer shall also specify which Feature Group B, C or D Switched Access Service trunk group is to be associated with the Directory Assistance Service. This information is used to determine the number of transmission paths as set forth in 9.2(E)(3) following. The customer then specifies the Directory Transport options.

- For all Special Access Services, the customer must specify the customer designated premises or hubs involved, the type of service (e.g., Voice Grade, High Capacity, etc.), the channel interface, technical specification package and options desired. For multipoint services, the channel interface at each customer designated premises may, at the request of the customer, be different but all such interfaces shall be compatible.

Issued: February 15, 2002

Issued By
Laurie A. Maffett

Effective: April 18, 2002 Vice President Regulatory and Government Affairs

Advice No.:

ACCESS SERVICES

CITIZENS TELECOMMUNICATIONS COMPANY OF NEVADA
d/b/a Frontier Communications of Nevada
180 S. Clinton Ave. Rochester, NY 14646
P.U.C.N. Tariff No. A-3

1st Revised Sheet No. 5-6
Cancels Original Sheet No. 5-6

SECTION NO. 5

5. Ordering Options for Switched and Special Access Service (Cont'd)

5.2 Access Order (Cont'd)

The BHMC may be determined by the customer in the following manner. For each day (8 am to 11 PM, Monday through Friday, excluding national holidays), the customer shall determine the highest number of minutes of use for a single hour (e.g., 55 minutes in the 10-11 AM hour). The customer shall, for the same hour period (i.e., busy hour) for each of twenty consecutive business days, pick the twenty consecutive business days in a calendar year which add up to the largest number of minutes of use. Both originating and terminating minutes shall be included. The customer shall then determine the average busy hour minutes of capacity (i.e., BHMC) by dividing the largest number of minutes of use figure for the same hour period for the consecutive twenty business day period by 20. This computation shall be performed for each end office the customer wishes to serve. These determinations thus establish the forecasted BHMC for each end office.

Where the Special Access Service is exempt from the Special Access Surcharge, as set forth in 7.3 following the customer shall furnish with the order the certification as set forth in 7.3.3 following.

SS7 Optional Feature

When Feature Group C or D is ordered with the SS7 optional feature, the customer shall specify a reference to existing signaling connections or reference a related SS7 signaling connection order. When ordering SS7 signaling, the customer shall provide the Signaling Transfer Point Codes. In addition, the customer shall work cooperatively with the Telephone Company to determine the number of SS7 signaling connections required to handle its signaling traffic.

For 800 Data Base Access Service, as described in Section 6, the customer must order FGC or FGD to those access tandems or end offices designated as Service Switching Points (SSP) of 800 Data Base Service in NATIONAL EXCHANGE CARRIER ASSOCIATION, INC. TARIFF FCC NO. , INC. TARIFF FCC NO. 4, WIRE CENTER INFORMATION. Direct trunk routes can only be provided from end offices equipped to query centralized data bases. All traffic originating from end offices not equipped to provide SS7 signaling and routing require routing via an access tandem where SSP functionality is available.

(T)

Issued: May 7, 2012

Issued By
Kenneth Mason

Effective: July 3, 2012

Vice President Government & Regulatory Affairs

Advice No.: NV-12-03

ACCESS SERVICES

CITIZENS TELECOMMUNICATIONS COMPANY OF NEVADA
180 S. Clinton Ave. Rochester, NY 14646
P.U.C.N. Tariff No. A-3

Original Sheet No. 5-7

SECTION NO. 5

5. Ordering Options for Switched and Special Access Service (Cont'd)

5.2 Access Order (Cont'd)

5.2.1 Access Order Service Date

- (A) The Telephone Company will provide the Access Service in accordance with the customer's requested service date, subject to the following conditions:
- (1) The Telephone Company shall make available to all customers upon request a schedule of applicable service dates for Switched and Special Access Services. The schedule shall specify the applicable service date for services and the quantities of services that can be provided in the applicable service date.

The Telephone Company will not accept orders for service dates which exceed the applicable service date by more than six months.

Issued: February 15, 2002

Issued By
Laurie A. Maffett

Effective: April 18, 2002 **Vice President Regulatory and Government Affairs**

Advice No.:

SECTION NO. 5

5. Ordering Options for Switched and Special Access Service (Cont'd)

5.2 Access Order (Cont'd)

5.2.1 Access Order Service Date (Cont'd)

(A) (Cont'd)

(1) (Cont'd)

All part-time Video and Program Audio services are subject to a service inquiry. A service inquiry is a request to the Telephone Company to determine if facilities exist to provide the service ordered and to determine the service date on which service can be provided to the customer.

Access Services will be installed during Telephone Company business days. If a customer requests that installation be done outside of scheduled work hours, and the Telephone Company agrees to this request, the customer will be subject to applicable Additional Labor Charges as set forth in 13.2.6(A) following.

Issued: February 15, 2002

Issued By
Laurie A. Maffett

Effective: April 18, 2002 Vice President Regulatory and Government Affairs

Advice No.:

SECTION NO. 5

5. Ordering Options for Switched and Special Access Service (Cont'd)

5.2 Access Order (Cont'd)

5.2.2 Access Order Modifications

The customer may request a modification of its Access Order prior to the service date. The Telephone Company will make every effort to accommodate a requested modification when it is able to do so with the normal work force assigned to complete such an order within normal business hours. If the modification cannot be made with the normal work force during normal business hours, the Telephone Company will notify the customer. If the customer still desires the Access Order modification, the Telephone Company will schedule a new service date. All charges for Access Order modifications will apply on a per occurrence basis.

Any increase in the number of Special Access Service channels or Switched Access Service lines, trunks or busy hour minutes of capacity or CCS/SS7 Port Terminations will be treated as a new Access Order (for the increased amount only).

If order modifications are necessary to satisfy the transmission performance for a Special Access Service ordered by a customer, these changes will be made without order modification charges being incurred by the customer.

(A) Service Date Change Charge

The customer may request a change of service date on a pending Access Order prior to the service date. A change of service date is a change of the scheduled service date by the customer to either an earlier date or a later date which does not exceed 30 calendar days from the original service date.

SECTION NO. 5

5. Ordering Options for Switched and Special Access Service (Cont'd)

5.2 Access Order (Cont'd)

5.2.2 Access Order Modifications (Cont'd)

(A) Service Date Change Charge (Cont'd)

If the Telephone Company determines that the customer's request can be accommodated without delaying the service dates for orders of other customers, the service date will be changed and the Service Date Change Charge applied to the order.

If the service date is changed to an earlier date, and the Telephone Company determines additional labor or extraordinary costs are necessary to meet the earlier service date requested by the customer, the customer will be notified by the Telephone Company that Expedited Order Charges as set forth in (D) following apply. Such charges will apply in addition to the Service Date Change Charge.

If the requested service date exceeds 30 calendar days following the original service date, and the Telephone Company determines that the customer's request can be accommodated, the Telephone Company will cancel the original order and apply the Cancellation Charges as set forth in 5.2.3 following. A new Access Order with the new service date will be issued. The Service Date Change Charge will not apply.

If the service date is changed due to a Design Change as set forth in (C) following, the Service Date Change Charge will apply.

Issued: February 15, 2002

Issued By
Laurie A. Maffett

Effective: April 18, 2002 Vice President Regulatory and Government Affairs

Advice No.:

ACCESS SERVICES

CITIZENS TELECOMMUNICATIONS COMPANY OF NEVADA
180 S. Clinton Ave. Rochester, NY 14646
P.U.C.N. Tariff No. A-3

Original Sheet No. 5-11

SECTION NO. 5

5. Ordering Options for Switched and Special Access Service (Cont'd)

5.2 Access Order (Cont'd)

5.2.2 Access Order Modifications (Cont'd)

(A) Service Date Change Charge (Cont'd)

A Service Date Change Charge will apply, on a per order per occurrence basis, for each service date changed. The applicable charge is:

	<u>Charge</u>	
	<u>IntraLATA</u>	<u>InterLATA</u>
Service Date Change Charge, per order		
ELKO DIVISION	\$36.44	\$38.03
TONOPAH DIVISION	\$36.55	\$27.36

(B) Partial Cancellation Charge

Any decrease in the number of ordered Special Access Service channels or Switched Access Service lines, trunks or busy hour minutes of capacity or CCS/SS7 Port Terminations will be treated as a partial cancellation and the charges as set forth in 5.2.3(B) following will apply.

(C) Design Change Charge

The customer may request a design change to the service ordered. A design change is any change to an Access Order which requires engineering review. An engineering review is a review by Telephone Company personnel, of the service ordered and the requested changes to determine what changes in the design, if any, are necessary to meet the changes requested by the customer. Design changes include such things as the addition or deletion of optional features or functions or a change in the type of Transport Termination (Switched Access only), type of channel interface, type of Interface Group or technical specification package. Design changes do not include a change of customer designated premises, end office switch, Feature Group type or Special Access Service channel type. Changes of this nature will require the issuance of a new order and the cancellation of the original order with appropriate cancellation charges applied.

Issued: February 15, 2002

Issued By
Laurie A. Maffett

Effective: April 18, 2002 Vice President Regulatory and Government Affairs

Advice No.:

SECTION NO. 5

5. Ordering Options for Switched and Special Access Service (Cont'd)

5.2 Access Order (Cont'd)

5.2.2 Access Order Modifications (Cont'd)

(C) Design Change Charge (Cont'd)

The Telephone Company will review the requested change, notify the customer whether the change is a design change, if the change can be accommodated and if a new service date is required. If the customer authorizes the Telephone Company to proceed with the design change, a Design Change Charge will apply in addition to the charge for Additional Engineering as set forth in 13.1.1 following. If a change of service date is required, the Service Date Change Charge as set forth in (A) preceding will also apply.

The Design Change Charge will apply on a per order per occurrence basis for each order requiring a design change. The applicable charge is:

	<u>Charge</u>	
	<u>IntraLATA</u>	<u>InterLATA</u>
Design Change Charge, per order		
ELKO DIVISION	\$26.71	\$27.88
TONOPAH DIVISION	\$26.79	\$20.05

(D) Expedited Order Charge

When placing an Access Order, a customer may request a service date that is prior to the applicable service date. A customer may also request an earlier service date on a pending Access Order. If the Telephone Company determines that the service can be provided on the requested date and that additional labor cost or extraordinary costs are required to meet the requested service date, the customer will be notified and will be provided with an estimate of the additional charges involved. Such additional charges will be determined and billed to the customer as follows:

SECTION NO. 5

5. Ordering Options for Switched and Special Access Service (Cont'd)

5.2 Access Order (Cont'd)

5.2.2 Access Order Modifications (Cont'd)

(D) Expedited Order Charge (Cont'd)

To calculate the additional labor charges, the Telephone Company will, upon authorization from the customer to incur the additional labor charges, keep track of the additional labor hours used to meet the request of the customer and will bill the customer at the applicable Additional Labor charges as set forth in 13.2.6(A) following.

To develop, determine and bill the customer the extraordinary costs which may be involved, the Special Construction terms and conditions as set forth in the NATIONAL EXCHANGE CARRIER ASSOCIATION TARIFF F.C.C. NO. 3 will be used by the Telephone Company. Authorization to incur the costs and to bill the customer will be in accordance with the terms and conditions of the NATIONAL EXCHANGE CARRIER ASSOCIATION TARIFF F.C.C. NO. 3.

When the request for expediting occurs subsequent to the issuance of the Access Order, a Service Date Change Charge as set forth in (A) preceding also applies.

Issued: February 15, 2002

Issued By
Laurie A. Maffett

Effective: April 18, 2002 Vice President Regulatory and Government Affairs

Advice No.:

SECTION NO. 5

5. Ordering Options for Switched and Special Access Service (Cont'd)

5.2 Access Order (Cont'd)

5.2.3 Cancellation of an Access Order

- (A) A customer may cancel an Access Order for the installation of service on any date prior to the service date. The cancellation date is the date the Telephone Company receives written or verbal notice from the customer that the order is to be canceled. The verbal notice must be followed by written confirmation within 10 days. If a customer or a customer's end user is unable to accept Access Service within 30 calendar days after the original service date, the customer has the choice of the following options:
- The Access Order shall be canceled and charges set forth in (B) following will apply, or
 - Billing for the service will commence.

In such instances, the cancellation date or the billing date, depending on which option is selected by the customer, shall be the 31st day beyond the original service date of the Access Order.

- (B) When a customer cancels an Access Order for the installation of service, a Cancellation Charge will apply as follows:
- (1) Installation of Switched or Special Access Service facilities is considered to have started when the Telephone Company incurs any cost in connection therewith or in preparation thereof which would not otherwise have been incurred.
 - (2) Where the customer cancels an Access Order prior to the start of installation of access facilities, no charges shall apply.

SECTION NO. 5

5. Ordering Options for Switched and Special Access Service (Cont'd)

5.2 Access Order (Cont'd)

5.2.3 Cancellation of an Access Order (Cont'd)

- (B) When a customer cancels an Access Order for the installation of service, a Cancellation Charge will apply as follows: (Cont'd)
 - (3) Where installation of access facilities has been started prior to the cancellation, the charges specified in (a) or (b) following, whichever is lower, shall apply.
 - (a) A charge equal to the costs incurred in such installation, less estimated net salvage. Such charge is determined as detailed in (4) following.
 - (b) The charge for the minimum period of Switched or Special Access Service ordered by the customer.
 - (4) Charges applicable as specified in (3)(a) preceding include the nonrecoverable cost of equipment and material ordered, provided or used, plus the nonrecoverable cost of installation and removal including the costs of engineering, labor, supervision, transportation, rights-of-way and other associated costs.
- (C) When a customer cancels an order for the discontinuance of service, no charges apply for the cancellation.
- (D) If the Telephone Company misses a service date by more than 30 days due to circumstances over which it has direct control (excluding, e.g., acts of God, governmental requirements, work stoppages and civil commotion), the customer may cancel the Access Order without incurring cancellation charges.

Issued: February 15, 2002

Issued By

Laurie A. Maffett

Effective: April 18, 2002 Vice President Regulatory and Government Affairs

Advice No.:

SECTION NO. 5

5. Ordering Options for Switched and Special Access Service (Cont'd)

5.2 Access Order (Cont'd)

5.2.4 Selection Of Facilities For Access Orders

- (A) When there are High Capacity facilities to a hub on order or in service for the customer's use, the customer may request a specific channel or transmission path be used to provide the Switched or Special Access Service requested in an Access Order. The Telephone Company will make a reasonable effort to accommodate the customer request.
- (B) For all other Access Orders, the option to request a specific transmission path or channel is not provided except as provided for under Special Facilities Routing as set forth in 11. following.

5.2.5 Minimum Period

- (A) Except as set forth in (B) and 9.4(A) following, the minimum period for which Access Service is provided and for which charges are applicable, is one month.
- (B) The minimum period for part-time Video and Program Audio Special Access Services is one day even though the service will be provided only for the duration of the event specified on the order (e.g., one-half hour, two hours, five hours, etc.).

Issued: February 15, 2002

Issued By
Laurie A. Maffett

Effective: April 18, 2002 Vice President Regulatory and Government Affairs

Advice No.:

ACCESS SERVICES

CITIZENS TELECOMMUNICATIONS COMPANY OF NEVADA
d/b/a Frontier Communications of Nevada
180 S. Clinton Ave. Rochester, NY 14646
P.U.C.N. Tariff No. A-3

1st Revised Sheet No. 5-17
Cancels Original Sheet No. 5-17

SECTION NO. 5

5. Ordering Options for Switched and Special Access Service (Cont'd)

5.2 Access Order (Cont'd)

5.2.6 Minimum Period Charges

When Access Service is disconnected prior to the expiration of the minimum period, charges are applicable for the balance of the minimum period. A disconnect constitutes facilities being returned to available inventory.

The Minimum Period Charge for monthly billed services will be determined as follows:

- (A) For Switched Access Service, the charge for a month or fraction thereof is equal to the applicable minimum monthly rates for the capacity as set forth in Section 6.
- (B) For Special Access Service, the charge for a month or fraction thereof is the applicable monthly rates for the appropriate channel type as set forth in 7.5 through 7.13 following.

(T)

The Minimum Period Charge for part-time Video and Program Audio Services is the applicable daily rate for the appropriate channel type as set forth in 7.8 and 7.9 following.

5.2.7 Shared Use Facilities

Shared Use (i.e., Switched and Special Access Services provided over the same High Capacity facilities) is allowed. Shared use facilities to a hub will be ordered and provided as Special Access Service. While shared use is allowed, individual services utilizing these facilities must be ordered either as Switched Access Service or Special Access Service. When placing the order for the individual service(s), the customer must specify a channel assignment for each service ordered.

Issued: May 7, 2012

Issued By
Kenneth Mason

Effective: July 3, 2012

Vice President Government & Regulatory Affairs

Advice No.: NV-12-03

SECTION NO. 5

5. Ordering Options for Switched and Special Access Service (Cont'd)

5.2 Access Order (Cont'd)

5.2.8 Access Orders For Services Provided By More Than One Telephone Company

- (A) Access Services provided by more than one Telephone Company are services where one end of the Local Transport, Directory Transport or Channel Mileage element is in the operating territory of one Telephone Company and the other end of the element is in the operating territory of a different Telephone Company.

The ordering procedure for this service is dependent upon the billing arrangement, as set forth in 2.4.8 preceding, to be used by the Telephone Companies involved in providing the Access Service. The Telephone Company will notify the customer which of the ordering procedures will apply.

(1) Single Company Billing

The Telephone Company receiving the order from the customer will arrange to provide the service and bill the customer as set forth in 2.4.8(A)(1). The customer will place the order with the Telephone Company as follows:

- (a) For Switched Access Services the customer will place the order with the Telephone Company in whose territory the first point of switching is located. The first point of switching is:

- FGA - dial tone office
- FGB - access tandem or end office
- FGC - end office
- FGD - end office or access tandem
(customers other than AT&T)

When the first point of switching is not in the same Telephone Company's territory as the Interexchange Carrier premises, the customer must supply a copy of the order to the Telephone Company in whose territory the Interexchange Carrier premises is located.

Issued: February 15, 2002

Issued By
Laurie A. Maffett

Effective: April 18, 2002 Vice President Regulatory and Government Affairs

Advice No.:

SECTION NO. 5

5. Ordering Options for Switched and Special Access Service (Cont'd)

5.2 Access Order (Cont'd)

5.2.8 Access Orders For Services Provided By More Than One Exchange Telephone Company

(A) (Cont'd)

(1) Single Company Billing (Cont'd)

- (b) For Special Access Services without the use of a hub, the customer will place the order with the Telephone Company in whose territory the customer designated premises is located.
- (c) For Special Access Services with a hub, the customer will place the order with the Telephone Company in whose territory the hub is located.
- (d) For Directory Assistance Service, the customer will place the order with the Telephone Company in whose territory the Directory Assistance Location is located.

(2) Multiple Company (Interconnection Point) Billing

Each Telephone Company will provide its portion of the Access Service within its operating territory to an interconnection point(s) (IP) with the other Telephone Company(s). The interconnection point(s) and Billing Percentages will be determined by the Telephone Companies involved in providing the Access Service and listed in the NATIONAL EXCHANGE CARRIER ASSOCIATION TARIFF F.C.C. NO. 4 or equivalent, intrastate data. Each Telephone Company will bill the customer for its portion of the service as set forth in 2.4.8(A)(2). All other appropriate charges in each Telephone Company tariff are applicable.

- (a) For Feature Group A and B Switched Access Services, the customer must place an order with the Telephone Company in whose territory the first point of switching is located, (i.e., FGA - dial tone office, FGB - access tandem or end office).

Issued: February 15, 2002

Issued By
Laurie A. Maffett

Effective: April 18, 2002 Vice President Regulatory and Government Affairs

Advice No.:

SECTION NO. 5

5. Ordering Options for Switched and Special Access Service (Cont'd)

5.2 Access Order (Cont'd)

5.2.8 Access Orders For Services Provided By More Than One Exchange Telephone Company (Cont'd)

(A) (Cont'd)

(2) Multiple Company (Interconnection Point) Billing (Cont'd)

- (b) For Feature Group C and D Switched Access Services, the customer must place an order with the Telephone Company in whose territory the end office is located. Customers other than AT&T may, at their option, order FGD to the access tandem, provided such service is available.
- (c) When a WATS Access Line option is ordered where the WATS screening office and the end user customer end office are not coterminous, the Telephone Company in whose territory the end office is located must receive the order from the customer. In addition, the Telephone Company in whose territory the WATS screening office is located must also receive a copy of the order from the customer.
- (d) Except for Special Access Service provided with the use of a hub, the customer may place the order for a Special Access Service with either Exchange Telephone Company.
- (e) For Special Access Service involving a hub(s) the customer must place the order with the Telephone Company in whose territory the hub(s) is located.
- (f) For Directory Assistance Service, the customer must place an order with the Telephone Company in whose territory the Directory Assistance Location is located.

For the service(s) ordered as set forth preceding, the customer must also supply a copy of the order to the Telephone Company in whose operating territory a customer designated premises is located and any other Telephone Company(s) involved in providing the service.

ACCESS SERVICES

CITIZENS TELECOMMUNICATIONS COMPANY OF NEVADA
d/b/a Frontier Communications of Nevada
180 S. Clinton Ave. Rochester, NY 14646
P.U.C.N. Tariff No. A-3

4th Revised Sheet No. 6-1
Cancels 3rd Revised Sheet No. 6-1

SECTION NO. 6

6. Switched Access Service

6.1 General

The Telephone Company adopts Section 6 and the associated rates in Section 20 of the Frontier Telephone Companies Tariff FCC No. 1 (the Telephone Company's Interstate Access Tariff) effective as of July 3, 2012, and any successive issues thereto. This tariff was filed with the FCC on behalf of the Telephone Company and affiliated companies.

Below is the website link to FCC No. 1 tariff. The rates are located in Section 20.2, Rate Group 2.

http://carrier.frontiercorp.com/crtf/tariffs/index.cfm?fuseaction=fcc&statedID=&sctnID=8&comp anyID=15

This tariff includes all the rules, regulations, rates and charges under which interstate access services will be offered. Exceptions to this adoption of the tariff schedules, if any, are as follows:

6.2 Language Exceptions

(None)

6.3 Rate Exceptions

Table with columns: Description, Originating, Terminating*, and a right-side code column. Rows include Elko Division, Local Switching (LS1/LS2), Transitional (LS) Nprem Terminating, Switched 56K pbs, Shared Trunk Port Charge, Multiplexers, Tandem Switched Transport, Tandem Switched Transport Facility, Tandem Switching, Network Blocking, and 800 Data Base query, Basic.

* See Frontier Telephone Companies Tariff FCC No. 1 for rates. (C) (D)

Issued: May 11, 2021

Issued By
Senior Vice President
Regulatory Affairs

Effective: July 1, 2021

Advice No.: NV-21-05

ACCESS SERVICES

CITIZENS TELECOMMUNICATIONS COMPANY OF NEVADA
d/b/a Frontier Communications of Nevada
180 S. Clinton Ave. Rochester, NY 14646
P.U.C.N. Tariff No. A-3

3rd Revised Sheet No. 6-2
Cancels 2nd Revised Sheet No. 6-2

SECTION NO. 6

6. Switched Access Service (Cont'd)

6.3 Rate Exceptions (Cont'd)

	<u>Originating</u>	<u>Terminating*</u>
6.3.2 Tonopah Division		
Local Switching (LS1) – Non 800/888	\$0.01519302	(C)
Local Switching (LS2) – Non 800/888	\$0.01519302	(C)
Transitional (LS) Nprem Terminating	0	
Switched 56K pbs	0	
Shared Trunk Port Charge		
– per MOU – Non 800/888	\$0.00104073	(C)
Multiplexers – (Trunk Side of End Office)		
– per MOU – Non 800/888	\$0.000100	(C)
Tandem Switched Transport – Non 800/888	\$0.01371829	(C)
Tandem Switched Transport Facility – Non 800/888	\$0.00065145	(C)
Tandem Switching – Non 800/888	\$0.00017103	(C)
Network Blocking – per Blocked Call (InterLATA)	\$0.0073	
Network Blocking – per Blocked Call (IntraLATA)	\$0.0097	
800 Data Base query, Basic	*	(C)

* See Frontier Telephone Companies Tariff FCC No. 1 for rates.

(C)
(D)

Issued: May 11, 2021

Issued By
Senior Vice President
Regulatory Affairs

Effective: July 1, 2021

Advice No.: NV-21-05

ACCESS SERVICES

CITIZENS TELECOMMUNICATIONS COMPANY OF NEVADA
d/b/a Frontier Communications of Nevada
180 S. Clinton Ave. Rochester, NY 14646
P.U.C.N. Tariff No. A-3

1st Revised Sheet No. 6-3
Cancels Original Sheet No. 6-3

SECTION NO. 6

6. Reserved For Future Use

(T)

(D)

(D)

Issued: May 7, 2012

Issued By
Kenneth Mason

Effective: July 3, 2012
Advice No.: NV-12-03

Vice President Government & Regulatory Affairs

ACCESS SERVICES

CITIZENS TELECOMMUNICATIONS COMPANY OF NEVADA
d/b/a Frontier Communications of Nevada
180 S. Clinton Ave. Rochester, NY 14646
P.U.C.N. Tariff No. A-3

1st Revised Sheet No. 6-4
Cancels Original Sheet No. 6-4

SECTION NO. 6

6. Reserved For Future Use

(T)

(D)

(D)

Issued: May 7, 2012

Issued By
Kenneth Mason

Effective: July 3, 2012
Advice No.: NV-12-03

Vice President Government & Regulatory Affairs

ACCESS SERVICES

CITIZENS TELECOMMUNICATIONS COMPANY OF NEVADA
d/b/a Frontier Communications of Nevada
180 S. Clinton Ave. Rochester, NY 14646
P.U.C.N. Tariff No. A-3

1st Revised Sheet No. 6-5
Cancels Original Sheet No. 6-5

SECTION NO. 6

6. Reserved For Future Use

(T)

(D)

(D)

Issued: May 7, 2012

Issued By
Kenneth Mason

Effective: July 3, 2012
Advice No.: NV-12-03

Vice President Government & Regulatory Affairs

ACCESS SERVICES

CITIZENS TELECOMMUNICATIONS COMPANY OF NEVADA
d/b/a Frontier Communications of Nevada
180 S. Clinton Ave. Rochester, NY 14646
P.U.C.N. Tariff No. A-3

1st Revised Sheet No. 6-6
Cancels Original Sheet No. 6-6

SECTION NO. 6

6. Reserved For Future Use

(T)

(D)

(D)

Issued: May 7, 2012

Issued By
Kenneth Mason

Effective: July 3, 2012
Advice No.: NV-12-03

Vice President Government & Regulatory Affairs

ACCESS SERVICES

CITIZENS TELECOMMUNICATIONS COMPANY OF NEVADA
d/b/a Frontier Communications of Nevada
180 S. Clinton Ave. Rochester, NY 14646
P.U.C.N. Tariff No. A-3

1st Revised Sheet No. 6-7
Cancels Original Sheet No. 6-7

SECTION NO. 6

6. Reserved For Future Use

(T)

(D)

(D)

Issued: May 7, 2012

Issued By
Kenneth Mason

Effective: July 3, 2012
Advice No.: NV-12-03

Vice President Government & Regulatory Affairs

ACCESS SERVICES

CITIZENS TELECOMMUNICATIONS COMPANY OF NEVADA
d/b/a Frontier Communications of Nevada
180 S. Clinton Ave. Rochester, NY 14646
P.U.C.N. Tariff No. A-3

1st Revised Sheet No. 6-8
Cancels Original Sheet No. 6-8

SECTION NO. 6

6. Reserved For Future Use

(T)

(D)

(D)

Issued: May 7, 2012

Issued By
Kenneth Mason

Effective: July 3, 2012
Advice No.: NV-12-03

Vice President Government & Regulatory Affairs

ACCESS SERVICES

CITIZENS TELECOMMUNICATIONS COMPANY OF NEVADA
d/b/a Frontier Communications of Nevada
180 S. Clinton Ave. Rochester, NY 14646
P.U.C.N. Tariff No. A-3

1st Revised Sheet No. 6-9
Cancels Original Sheet No. 6-9

SECTION NO. 6

6. Reserved For Future Use

(T)

(D)

(D)

Issued: May 7, 2012

Issued By
Kenneth Mason

Effective: July 3, 2012
Advice No.: NV-12-03

Vice President Government & Regulatory Affairs

ACCESS SERVICES

CITIZENS TELECOMMUNICATIONS COMPANY OF NEVADA
d/b/a Frontier Communications of Nevada
180 S. Clinton Ave. Rochester, NY 14646
P.U.C.N. Tariff No. A-3

1st Revised Sheet No. 6-10
Cancels Original Sheet No. 6-10

SECTION NO. 6

6. Reserved For Future Use

(T)

(D)

(D)

Issued: May 7, 2012

Issued By
Kenneth Mason

Effective: July 3, 2012
Advice No.: NV-12-03

Vice President Government & Regulatory Affairs

ACCESS SERVICES

CITIZENS TELECOMMUNICATIONS COMPANY OF NEVADA
d/b/a Frontier Communications of Nevada
180 S. Clinton Ave. Rochester, NY 14646
P.U.C.N. Tariff No. A-3

1st Revised Sheet No. 6-11
Cancels Original Sheet No. 6-11

SECTION NO. 6

6. Reserved For Future Use

(T)

(D)

(D)

Issued: May 7, 2012

Issued By
Kenneth Mason

Effective: July 3, 2012
Advice No.: NV-12-03

Vice President Government & Regulatory Affairs

ACCESS SERVICES

CITIZENS TELECOMMUNICATIONS COMPANY OF NEVADA
d/b/a Frontier Communications of Nevada
180 S. Clinton Ave. Rochester, NY 14646
P.U.C.N. Tariff No. A-3

1st Revised Sheet No. 6-12
Cancels Original Sheet No. 6-12

SECTION NO. 6

6. Reserved For Future Use

(T)

(D)

(D)

Issued: May 7, 2012

Issued By
Kenneth Mason

Effective: July 3, 2012
Advice No.: NV-12-03

Vice President Government & Regulatory Affairs

ACCESS SERVICES

CITIZENS TELECOMMUNICATIONS COMPANY OF NEVADA
d/b/a Frontier Communications of Nevada
180 S. Clinton Ave. Rochester, NY 14646
P.U.C.N. Tariff No. A-3

1st Revised Sheet No. 6-13
Cancels Original Sheet No. 6-13

SECTION NO. 6

6. Reserved For Future Use

(T)

(D)

(D)

Issued: May 7, 2012

Issued By
Kenneth Mason

Effective: July 3, 2012
Advice No.: NV-12-03

Vice President Government & Regulatory Affairs

ACCESS SERVICES

CITIZENS TELECOMMUNICATIONS COMPANY OF NEVADA
d/b/a Frontier Communications of Nevada
180 S. Clinton Ave. Rochester, NY 14646
P.U.C.N. Tariff No. A-3

1st Revised Sheet No. 6-14
Cancels Original Sheet No. 6-14

SECTION NO. 6

6. Reserved For Future Use

(T)

(D)

(D)

Issued: May 7, 2012

Issued By
Kenneth Mason

Effective: July 3, 2012
Advice No.: NV-12-03

Vice President Government & Regulatory Affairs

ACCESS SERVICES

CITIZENS TELECOMMUNICATIONS COMPANY OF NEVADA
d/b/a Frontier Communications of Nevada
180 S. Clinton Ave. Rochester, NY 14646
P.U.C.N. Tariff No. A-3

1st Revised Sheet No. 6-15
Cancels Original Sheet No. 6-15

SECTION NO. 6

6. Reserved For Future Use

(T)

(D)

(D)

Issued: May 7, 2012

Effective: July 3, 2012
Advice No.: NV-12-03

Issued By
Kenneth Mason
Vice President Government & Regulatory Affairs

ACCESS SERVICES

CITIZENS TELECOMMUNICATIONS COMPANY OF NEVADA
d/b/a Frontier Communications of Nevada
180 S. Clinton Ave. Rochester, NY 14646
P.U.C.N. Tariff No. A-3

1st Revised Sheet No. 6-16
Cancels Original Sheet No. 6-16

SECTION NO. 6

6. Reserved For Future Use

(T)

(D)

(D)

Issued: May 7, 2012

Issued By

Kenneth Mason

Effective: July 3, 2012

Vice President Government & Regulatory Affairs

Advice No.: NV-12-03

ACCESS SERVICES

CITIZENS TELECOMMUNICATIONS COMPANY OF NEVADA
d/b/a Frontier Communications of Nevada
180 S. Clinton Ave. Rochester, NY 14646
P.U.C.N. Tariff No. A-3

1st Revised Sheet No. 6-17
Cancels Original Sheet No. 6-17

SECTION NO. 6

6. Reserved For Future Use

(T)

(D)

(D)

Issued: May 7, 2012

Effective: July 3, 2012
Advice No.: NV-12-03

Issued By
Kenneth Mason
Vice President Government & Regulatory Affairs

ACCESS SERVICES

CITIZENS TELECOMMUNICATIONS COMPANY OF NEVADA
d/b/a Frontier Communications of Nevada
180 S. Clinton Ave. Rochester, NY 14646
P.U.C.N. Tariff No. A-3

1st Revised Sheet No. 6-18
Cancels Original Sheet No. 6-18

SECTION NO. 6

6. Reserved For Future Use

(T)

(D)

(D)

Issued: May 7, 2012

Issued By
Kenneth Mason

Effective: July 3, 2012
Advice No.: NV-12-03

Vice President Government & Regulatory Affairs

ACCESS SERVICES

CITIZENS TELECOMMUNICATIONS COMPANY OF NEVADA
d/b/a Frontier Communications of Nevada
180 S. Clinton Ave. Rochester, NY 14646
P.U.C.N. Tariff No. A-3

1st Revised Sheet No. 6-19
Cancels Original Sheet No. 6-19

SECTION NO. 6

6. Reserved For Future Use

(T)

(D)

(D)

Issued: May 7, 2012

Issued By
Kenneth Mason

Effective: July 3, 2012
Advice No.: NV-12-03

Vice President Government & Regulatory Affairs

ACCESS SERVICES

CITIZENS TELECOMMUNICATIONS COMPANY OF NEVADA
d/b/a Frontier Communications of Nevada
180 S. Clinton Ave. Rochester, NY 14646
P.U.C.N. Tariff No. A-3

1st Revised Sheet No. 6-20
Cancels Original Sheet No. 6-20

SECTION NO. 6

6. Reserved For Future Use

(T)

(D)

(D)

Issued: May 7, 2012

Issued By
Kenneth Mason

Effective: July 3, 2012
Advice No.: NV-12-03

Vice President Government & Regulatory Affairs

ACCESS SERVICES

CITIZENS TELECOMMUNICATIONS COMPANY OF NEVADA
d/b/a Frontier Communications of Nevada
180 S. Clinton Ave. Rochester, NY 14646
P.U.C.N. Tariff No. A-3

1st Revised Sheet No. 6-21
Cancels Original Sheet No. 6-21

SECTION NO. 6

6. Reserved For Future Use

(T)

(D)

(D)

Issued: May 7, 2012

Effective: July 3, 2012
Advice No.: NV-12-03

Issued By
Kenneth Mason
Vice President Government & Regulatory Affairs

ACCESS SERVICES

CITIZENS TELECOMMUNICATIONS COMPANY OF NEVADA
d/b/a Frontier Communications of Nevada
180 S. Clinton Ave. Rochester, NY 14646
P.U.C.N. Tariff No. A-3

1st Revised Sheet No. 6-22
Cancels Original Sheet No. 6-22

SECTION NO. 6

6. Reserved For Future Use

(T)

(D)

(D)

Issued: May 7, 2012

Effective: July 3, 2012
Advice No.: NV-12-03

Issued By
Kenneth Mason
Vice President Government & Regulatory Affairs

ACCESS SERVICES

CITIZENS TELECOMMUNICATIONS COMPANY OF NEVADA
d/b/a Frontier Communications of Nevada
180 S. Clinton Ave. Rochester, NY 14646
P.U.C.N. Tariff No. A-3

1st Revised Sheet No. 6-23
Cancels Original Sheet No. 6-23

SECTION NO. 6

6. Reserved For Future Use

(T)

(D)

(D)

Issued: May 7, 2012

Effective: July 3, 2012
Advice No.: NV-12-03

Issued By
Kenneth Mason
Vice President Government & Regulatory Affairs

ACCESS SERVICES

CITIZENS TELECOMMUNICATIONS COMPANY OF NEVADA
d/b/a Frontier Communications of Nevada
180 S. Clinton Ave. Rochester, NY 14646
P.U.C.N. Tariff No. A-3

1st Revised Sheet No. 6-24
Cancels Original Sheet No. 6-24

SECTION NO. 6

6. Reserved For Future Use

(T)

(D)

(D)

Issued: May 7, 2012

Effective: July 3, 2012
Advice No.: NV-12-03

Issued By
Kenneth Mason
Vice President Government & Regulatory Affairs

ACCESS SERVICES

CITIZENS TELECOMMUNICATIONS COMPANY OF NEVADA
d/b/a Frontier Communications of Nevada
180 S. Clinton Ave. Rochester, NY 14646
P.U.C.N. Tariff No. A-3

1st Revised Sheet No. 6-25
Cancels Original Sheet No. 6-25

SECTION NO. 6

6. Reserved For Future Use

(T)

(D)

(D)

Issued: May 7, 2012

Effective: July 3, 2012
Advice No.: NV-12-03

Issued By
Kenneth Mason
Vice President Government & Regulatory Affairs

ACCESS SERVICES

CITIZENS TELECOMMUNICATIONS COMPANY OF NEVADA
d/b/a Frontier Communications of Nevada
180 S. Clinton Ave. Rochester, NY 14646
P.U.C.N. Tariff No. A-3

2nd Revised Sheet No. 6-26
Cancels Original Sheet No. 6-26

SECTION NO. 6

6. Reserved For Future Use

(T)

(D)

(D)

Issued: May 7, 2012

Effective: July 3, 2012
Advice No.: NV-12-03

Issued By
Kenneth Mason
Vice President Government & Regulatory Affairs

ACCESS SERVICES

CITIZENS TELECOMMUNICATIONS COMPANY OF NEVADA
d/b/a Frontier Communications of Nevada
180 S. Clinton Ave. Rochester, NY 14646
P.U.C.N. Tariff No. A-3

1st Revised Sheet No. 6-27
Cancels Original Sheet No. 6-27

SECTION NO. 6

6. Reserved For Future Use

(T)

(D)

(D)

Issued: May 7, 2012

Effective: July 3, 2012
Advice No.: NV-12-03

Issued By
Kenneth Mason
Vice President Government & Regulatory Affairs

ACCESS SERVICES

CITIZENS TELECOMMUNICATIONS COMPANY OF NEVADA
d/b/a Frontier Communications of Nevada
180 S. Clinton Ave. Rochester, NY 14646
P.U.C.N. Tariff No. A-3

1st Revised Sheet No. 6-28
Cancels Original Sheet No. 6-28

SECTION NO. 6

6. Reserved For Future Use

(T)

(D)

(D)

Issued: May 7, 2012

Issued By

Kenneth Mason

Effective: July 3, 2012

Vice President Government & Regulatory Affairs

Advice No.: NV-12-03

ACCESS SERVICES

CITIZENS TELECOMMUNICATIONS COMPANY OF NEVADA
d/b/a Frontier Communications of Nevada
180 S. Clinton Ave. Rochester, NY 14646
P.U.C.N. Tariff No. A-3

1st Revised Sheet No. 6-29
Cancels Original Sheet No. 6-29

SECTION NO. 6

6. Reserved For Future Use

(T)

(D)

(D)

Issued: May 7, 2012

Effective: July 3, 2012
Advice No.: NV-12-03

Issued By
Kenneth Mason
Vice President Government & Regulatory Affairs

ACCESS SERVICES

CITIZENS TELECOMMUNICATIONS COMPANY OF NEVADA
d/b/a Frontier Communications of Nevada
180 S. Clinton Ave. Rochester, NY 14646
P.U.C.N. Tariff No. A-3

1st Revised Sheet No. 6-30
Cancels Original Sheet No. 6-30

SECTION NO. 6

6. Reserved For Future Use

(T)

(D)

(D)

Issued: May 7, 2012

Issued By

Kenneth Mason

Effective: July 3, 2012

Vice President Government & Regulatory Affairs

Advice No.: NV-12-03

ACCESS SERVICES

CITIZENS TELECOMMUNICATIONS COMPANY OF NEVADA
d/b/a Frontier Communications of Nevada
180 S. Clinton Ave. Rochester, NY 14646
P.U.C.N. Tariff No. A-3

1st Revised Sheet No. 6-31
Cancels Original Sheet No. 6-31

SECTION NO. 6

6. Reserved For Future Use

(T)

(D)

(D)

Issued: May 7, 2012

Issued By

Kenneth Mason

Effective: July 3, 2012

Vice President Government & Regulatory Affairs

Advice No.: NV-12-03

ACCESS SERVICES

CITIZENS TELECOMMUNICATIONS COMPANY OF NEVADA
d/b/a Frontier Communications of Nevada
180 S. Clinton Ave. Rochester, NY 14646
P.U.C.N. Tariff No. A-3

1st Revised Sheet No. 6-32
Cancels Original Sheet No. 6-32

SECTION NO. 6

6. Reserved For Future Use

(T)

(D)

(D)

Issued: May 7, 2012

Effective: July 3, 2012
Advice No.: NV-12-03

Issued By
Kenneth Mason
Vice President Government & Regulatory Affairs

ACCESS SERVICES

CITIZENS TELECOMMUNICATIONS COMPANY OF NEVADA
d/b/a Frontier Communications of Nevada
180 S. Clinton Ave. Rochester, NY 14646
P.U.C.N. Tariff No. A-3

1st Revised Sheet No. 6-33
Cancels Original Sheet No. 6-33

SECTION NO. 6

6. Reserved For Future Use

(T)

(D)

(D)

Issued: May 7, 2012

Issued By

Kenneth Mason

Effective: July 3, 2012

Vice President Government & Regulatory Affairs

Advice No.: NV-12-03

ACCESS SERVICES

CITIZENS TELECOMMUNICATIONS COMPANY OF NEVADA
d/b/a Frontier Communications of Nevada
180 S. Clinton Ave. Rochester, NY 14646
P.U.C.N. Tariff No. A-3

1st Revised Sheet No. 6-34
Cancels Original Sheet No. 6-34

SECTION NO. 6

6. Reserved For Future Use

(T)

(D)

(D)

Issued: May 7, 2012

Issued By

Kenneth Mason

Effective: July 3, 2012

Vice President Government & Regulatory Affairs

Advice No.: NV-12-03

ACCESS SERVICES

CITIZENS TELECOMMUNICATIONS COMPANY OF NEVADA
d/b/a Frontier Communications of Nevada
180 S. Clinton Ave. Rochester, NY 14646
P.U.C.N. Tariff No. A-3

1st Revised Sheet No. 6-35
Cancels Original Sheet No. 6-35

SECTION NO. 6

6. Reserved For Future Use

(T)

(D)

(D)

Issued: May 7, 2012

Issued By

Kenneth Mason

Effective: July 3, 2012

Vice President Government & Regulatory Affairs

Advice No.: NV-12-03

ACCESS SERVICES

CITIZENS TELECOMMUNICATIONS COMPANY OF NEVADA
d/b/a Frontier Communications of Nevada
180 S. Clinton Ave. Rochester, NY 14646
P.U.C.N. Tariff No. A-3

1st Revised Sheet No. 6-36
Cancels Original Sheet No. 6-36

SECTION NO. 6

6. Reserved For Future Use

(T)

(D)

(D)

Issued: May 7, 2012

Issued By
Kenneth Mason

Effective: July 3, 2012
Advice No.: NV-12-03

Vice President Government & Regulatory Affairs

ACCESS SERVICES

CITIZENS TELECOMMUNICATIONS COMPANY OF NEVADA
d/b/a Frontier Communications of Nevada
180 S. Clinton Ave. Rochester, NY 14646
P.U.C.N. Tariff No. A-3

1st Revised Sheet No. 6-37
Cancels Original Sheet No. 6-37

SECTION NO. 6

6. Reserved For Future Use

(T)

(D)

(D)

Issued: May 7, 2012

Effective: July 3, 2012
Advice No.: NV-12-03

Issued By
Kenneth Mason
Vice President Government & Regulatory Affairs

ACCESS SERVICES

CITIZENS TELECOMMUNICATIONS COMPANY OF NEVADA
d/b/a Frontier Communications of Nevada
180 S. Clinton Ave. Rochester, NY 14646
P.U.C.N. Tariff No. A-3

1st Revised Sheet No. 6-38
Cancels Original Sheet No. 6-38

SECTION NO. 6

6. Reserved For Future Use

(T)

(D)

(D)

Issued: May 7, 2012

Effective: July 3, 2012
Advice No.: NV-12-03

Issued By
Kenneth Mason
Vice President Government & Regulatory Affairs

ACCESS SERVICES

CITIZENS TELECOMMUNICATIONS COMPANY OF NEVADA
d/b/a Frontier Communications of Nevada
180 S. Clinton Ave. Rochester, NY 14646
P.U.C.N. Tariff No. A-3

1st Revised Sheet No. 6-39
Cancels Original Sheet No. 6-39

SECTION NO. 6

6. Reserved For Future Use

(T)

(D)

(D)

Issued: May 7, 2012

Issued By

Kenneth Mason

Effective: July 3, 2012

Vice President Government & Regulatory Affairs

Advice No.: NV-12-03

ACCESS SERVICES

CITIZENS TELECOMMUNICATIONS COMPANY OF NEVADA
d/b/a Frontier Communications of Nevada
180 S. Clinton Ave. Rochester, NY 14646
P.U.C.N. Tariff No. A-3

1st Revised Sheet No. 6-40
Cancels Original Sheet No. 6-40

SECTION NO. 6

6. Reserved For Future Use

(T)

(D)

(D)

Issued: May 7, 2012

Issued By

Kenneth Mason

Effective: July 3, 2012

Vice President Government & Regulatory Affairs

Advice No.: NV-12-03

ACCESS SERVICES

CITIZENS TELECOMMUNICATIONS COMPANY OF NEVADA
d/b/a Frontier Communications of Nevada
180 S. Clinton Ave. Rochester, NY 14646
P.U.C.N. Tariff No. A-3

1st Revised Sheet No. 6-41
Cancels Original Sheet No. 6-41

SECTION NO. 6

6. Reserved For Future Use

(T)

(D)

(D)

Issued: May 7, 2012

Issued By

Kenneth Mason

Effective: July 3, 2012

Vice President Government & Regulatory Affairs

Advice No.: NV-12-03

ACCESS SERVICES

CITIZENS TELECOMMUNICATIONS COMPANY OF NEVADA
d/b/a Frontier Communications of Nevada
180 S. Clinton Ave. Rochester, NY 14646
P.U.C.N. Tariff No. A-3

1st Revised Sheet No. 6-42
Cancels Original Sheet No. 6-42

SECTION NO. 6

6. Reserved For Future Use

(T)

(D)

(D)

Issued: May 7, 2012

Effective: July 3, 2012
Advice No.: NV-12-03

Issued By
Kenneth Mason
Vice President Government & Regulatory Affairs

ACCESS SERVICES

CITIZENS TELECOMMUNICATIONS COMPANY OF NEVADA
d/b/a Frontier Communications of Nevada
180 S. Clinton Ave. Rochester, NY 14646
P.U.C.N. Tariff No. A-3

1st Revised Sheet No. 6-43
Cancels Original Sheet No. 6-43

SECTION NO. 6

6. Reserved For Future Use

(T)

(D)

(D)

Issued: May 7, 2012

Effective: July 3, 2012
Advice No.: NV-12-03

Issued By
Kenneth Mason
Vice President Government & Regulatory Affairs

ACCESS SERVICES

CITIZENS TELECOMMUNICATIONS COMPANY OF NEVADA
d/b/a Frontier Communications of Nevada
180 S. Clinton Ave. Rochester, NY 14646
P.U.C.N. Tariff No. A-3

1st Revised Sheet No. 6-44
Cancels Original Sheet No. 6-44

SECTION NO. 6

6. Reserved For Future Use

(T)

(D)

(D)

Issued: May 7, 2012

Effective: July 3, 2012
Advice No.: NV-12-03

Issued By
Kenneth Mason
Vice President Government & Regulatory Affairs

ACCESS SERVICES

CITIZENS TELECOMMUNICATIONS COMPANY OF NEVADA
d/b/a Frontier Communications of Nevada
180 S. Clinton Ave. Rochester, NY 14646
P.U.C.N. Tariff No. A-3

1st Revised Sheet No. 6-45
Cancels Original Sheet No. 6-45

SECTION NO. 6

6. Reserved For Future Use

(T)

(D)

(D)

Issued: May 7, 2012

Issued By

Kenneth Mason

Effective: July 3, 2012

Vice President Government & Regulatory Affairs

Advice No.: NV-12-03

ACCESS SERVICES

CITIZENS TELECOMMUNICATIONS COMPANY OF NEVADA
d/b/a Frontier Communications of Nevada
180 S. Clinton Ave. Rochester, NY 14646
P.U.C.N. Tariff No. A-3

1st Revised Sheet No. 6-46
Cancels Original Sheet No. 6-46

SECTION NO. 6

6. Reserved For Future Use

(T)

(D)

(D)

Issued: May 7, 2012

Issued By

Kenneth Mason

Effective: July 3, 2012

Vice President Government & Regulatory Affairs

Advice No.: NV-12-03

ACCESS SERVICES

CITIZENS TELECOMMUNICATIONS COMPANY OF NEVADA
d/b/a Frontier Communications of Nevada
180 S. Clinton Ave. Rochester, NY 14646
P.U.C.N. Tariff No. A-3

1st Revised Sheet No. 6-47
Cancels Original Sheet No. 6-47

SECTION NO. 6

6. Reserved For Future Use

(T)

(D)

(D)

Issued: May 7, 2012

Effective: July 3, 2012
Advice No.: NV-12-03

Issued By
Kenneth Mason
Vice President Government & Regulatory Affairs

ACCESS SERVICES

CITIZENS TELECOMMUNICATIONS COMPANY OF NEVADA
d/b/a Frontier Communications of Nevada
180 S. Clinton Ave. Rochester, NY 14646
P.U.C.N. Tariff No. A-3

1st Revised Sheet No. 6-48
Cancels Original Sheet No. 6-48

SECTION NO. 6

6. Reserved For Future Use

(T)

(D)

(D)

Issued: May 7, 2012

Issued By

Kenneth Mason

Effective: July 3, 2012

Vice President Government & Regulatory Affairs

Advice No.: NV-12-03

ACCESS SERVICES

CITIZENS TELECOMMUNICATIONS COMPANY OF NEVADA
d/b/a Frontier Communications of Nevada
180 S. Clinton Ave. Rochester, NY 14646
P.U.C.N. Tariff No. A-3

1st Revised Sheet No. 6-49
Cancels Original Sheet No. 6-49

SECTION NO. 6

6. Reserved For Future Use

(T)

(D)

(D)

Issued: May 7, 2012

Issued By

Kenneth Mason

Effective: July 3, 2012

Vice President Government & Regulatory Affairs

Advice No.: NV-12-03

ACCESS SERVICES

CITIZENS TELECOMMUNICATIONS COMPANY OF NEVADA
d/b/a Frontier Communications of Nevada
180 S. Clinton Ave. Rochester, NY 14646
P.U.C.N. Tariff No. A-3

1st Revised Sheet No. 6-50
Cancels Original Sheet No. 6-50

SECTION NO. 6

6. Reserved For Future Use

(T)

(D)

(D)

Issued: May 7, 2012

Issued By

Kenneth Mason

Effective: July 3, 2012

Vice President Government & Regulatory Affairs

Advice No.: NV-12-03

ACCESS SERVICES

CITIZENS TELECOMMUNICATIONS COMPANY OF NEVADA
d/b/a Frontier Communications of Nevada
180 S. Clinton Ave. Rochester, NY 14646
P.U.C.N. Tariff No. A-3

1st Revised Sheet No. 6-51
Cancels Original Sheet No. 6-51

SECTION NO. 6

6. Reserved For Future Use

(T)

(D)

(D)

Issued: May 7, 2012

Issued By

Kenneth Mason

Effective: July 3, 2012

Vice President Government & Regulatory Affairs

Advice No.: NV-12-03

ACCESS SERVICES

CITIZENS TELECOMMUNICATIONS COMPANY OF NEVADA
d/b/a Frontier Communications of Nevada
180 S. Clinton Ave. Rochester, NY 14646
P.U.C.N. Tariff No. A-3

1st Revised Sheet No. 6-52
Cancels Original Sheet No. 6-52

SECTION NO. 6

6. Reserved For Future Use

(T)

(D)

(D)

Issued: May 7, 2012

Issued By

Kenneth Mason

Effective: July 3, 2012

Vice President Government & Regulatory Affairs

Advice No.: NV-12-03

ACCESS SERVICES

CITIZENS TELECOMMUNICATIONS COMPANY OF NEVADA
d/b/a Frontier Communications of Nevada
180 S. Clinton Ave. Rochester, NY 14646
P.U.C.N. Tariff No. A-3

1st Revised Sheet No. 6-53
Cancels Original Sheet No. 6-53

SECTION NO. 6

6. Reserved For Future Use

(T)

(D)

(D)

Issued: May 7, 2012

Issued By

Kenneth Mason

Effective: July 3, 2012

Vice President Government & Regulatory Affairs

Advice No.: NV-12-03

ACCESS SERVICES

CITIZENS TELECOMMUNICATIONS COMPANY OF NEVADA
d/b/a Frontier Communications of Nevada
180 S. Clinton Ave. Rochester, NY 14646
P.U.C.N. Tariff No. A-3

1st Revised Sheet No. 6-54
Cancels Original Sheet No. 6-54

SECTION NO. 6

6. Reserved For Future Use

(T)

(D)

(D)

Issued: May 7, 2012

Issued By

Kenneth Mason

Effective: July 3, 2012

Vice President Government & Regulatory Affairs

Advice No.: NV-12-03

ACCESS SERVICES

CITIZENS TELECOMMUNICATIONS COMPANY OF NEVADA
d/b/a Frontier Communications of Nevada
180 S. Clinton Ave. Rochester, NY 14646
P.U.C.N. Tariff No. A-3

1st Revised Sheet No. 6-55
Cancels Original Sheet No. 6-55

SECTION NO. 6

6. Reserved For Future Use

(T)

(D)

(D)

Issued: May 7, 2012

Issued By
Kenneth Mason

Effective: July 3, 2012
Advice No.: NV-12-03

Vice President Government & Regulatory Affairs

ACCESS SERVICES

CITIZENS TELECOMMUNICATIONS COMPANY OF NEVADA
d/b/a Frontier Communications of Nevada
180 S. Clinton Ave. Rochester, NY 14646
P.U.C.N. Tariff No. A-3

1st Revised Sheet No. 6-56
Cancels Original Sheet No. 6-56

SECTION NO. 6

6. Reserved For Future Use

(T)

(D)

(D)

Issued: May 7, 2012

Effective: July 3, 2012
Advice No.: NV-12-03

Issued By
Kenneth Mason
Vice President Government & Regulatory Affairs

ACCESS SERVICES

CITIZENS TELECOMMUNICATIONS COMPANY OF NEVADA
d/b/a Frontier Communications of Nevada
180 S. Clinton Ave. Rochester, NY 14646
P.U.C.N. Tariff No. A-3

1st Revised Sheet No. 6-57
Cancels Original Sheet No. 6-57

SECTION NO. 6

6. Reserved For Future Use

(T)

(D)

(D)

Issued: May 7, 2012

Issued By

Kenneth Mason

Effective: July 3, 2012

Vice President Government & Regulatory Affairs

Advice No.: NV-12-03

ACCESS SERVICES

CITIZENS TELECOMMUNICATIONS COMPANY OF NEVADA
d/b/a Frontier Communications of Nevada
180 S. Clinton Ave. Rochester, NY 14646
P.U.C.N. Tariff No. A-3

1st Revised Sheet No. 6-58
Cancels Original Sheet No. 6-58

SECTION NO. 6

6. Reserved For Future Use

(T)

(D)

(D)

Issued: May 7, 2012

Issued By

Kenneth Mason

Effective: July 3, 2012

Vice President Government & Regulatory Affairs

Advice No.: NV-12-03

ACCESS SERVICES

CITIZENS TELECOMMUNICATIONS COMPANY OF NEVADA
d/b/a Frontier Communications of Nevada
180 S. Clinton Ave. Rochester, NY 14646
P.U.C.N. Tariff No. A-3

1st Revised Sheet No. 6-59
Cancels Original Sheet No. 6-59

SECTION NO. 6

6. Reserved For Future Use

(T)

(D)

(D)

Issued: May 7, 2012

Issued By
Kenneth Mason

Effective: July 3, 2012
Advice No.: NV-12-03

Vice President Government & Regulatory Affairs

ACCESS SERVICES

CITIZENS TELECOMMUNICATIONS COMPANY OF NEVADA
d/b/a Frontier Communications of Nevada
180 S. Clinton Ave. Rochester, NY 14646
P.U.C.N. Tariff No. A-3

1st Revised Sheet No. 6-60
Cancels Original Sheet No. 6-60

SECTION NO. 6

6. Reserved For Future Use

(T)

(D)

(D)

Issued: May 7, 2012

Issued By

Kenneth Mason

Effective: July 3, 2012

Vice President Government & Regulatory Affairs

Advice No.: NV-12-03

ACCESS SERVICES

CITIZENS TELECOMMUNICATIONS COMPANY OF NEVADA
d/b/a Frontier Communications of Nevada
180 S. Clinton Ave. Rochester, NY 14646
P.U.C.N. Tariff No. A-3

1st Revised Sheet No. 6-61
Cancels Original Sheet No. 6-61

SECTION NO. 6

6. Reserved For Future Use

(T)

(D)

(D)

Issued: May 7, 2012

Effective: July 3, 2012
Advice No.: NV-12-03

Issued By
Kenneth Mason
Vice President Government & Regulatory Affairs

ACCESS SERVICES

CITIZENS TELECOMMUNICATIONS COMPANY OF NEVADA
d/b/a Frontier Communications of Nevada
180 S. Clinton Ave. Rochester, NY 14646
P.U.C.N. Tariff No. A-3

1st Revised Sheet No. 6-62
Cancels Original Sheet No. 6-62

SECTION NO. 6

6. Reserved For Future Use

(T)

(D)

(D)

Issued: May 7, 2012

Issued By

Kenneth Mason

Effective: July 3, 2012

Vice President Government & Regulatory Affairs

Advice No.: NV-12-03

ACCESS SERVICES

CITIZENS TELECOMMUNICATIONS COMPANY OF NEVADA
d/b/a Frontier Communications of Nevada
180 S. Clinton Ave. Rochester, NY 14646
P.U.C.N. Tariff No. A-3

1st Revised Sheet No. 6-63
Cancels Original Sheet No. 6-63

SECTION NO. 6

6. Reserved For Future Use

(T)

(D)

(D)

Issued: May 7, 2012

Effective: July 3, 2012
Advice No.: NV-12-03

Issued By
Kenneth Mason
Vice President Government & Regulatory Affairs

ACCESS SERVICES

CITIZENS TELECOMMUNICATIONS COMPANY OF NEVADA
d/b/a Frontier Communications of Nevada
180 S. Clinton Ave. Rochester, NY 14646
P.U.C.N. Tariff No. A-3

1st Revised Sheet No. 6-64
Cancels Original Sheet No. 6-64

SECTION NO. 6

6. Reserved For Future Use

(T)

(D)

(D)

Issued: May 7, 2012

Effective: July 3, 2012
Advice No.: NV-12-03

Issued By
Kenneth Mason
Vice President Government & Regulatory Affairs

ACCESS SERVICES

CITIZENS TELECOMMUNICATIONS COMPANY OF NEVADA
d/b/a Frontier Communications of Nevada
180 S. Clinton Ave. Rochester, NY 14646
P.U.C.N. Tariff No. A-3

1st Revised Sheet No. 6-65
Cancels Original Sheet No. 6-65

SECTION NO. 6

6. Reserved For Future Use

(T)

(D)

(D)

Issued: May 7, 2012

Issued By

Kenneth Mason

Effective: July 3, 2012

Vice President Government & Regulatory Affairs

Advice No.: NV-12-03

ACCESS SERVICES

CITIZENS TELECOMMUNICATIONS COMPANY OF NEVADA
d/b/a Frontier Communications of Nevada
180 S. Clinton Ave. Rochester, NY 14646
P.U.C.N. Tariff No. A-3

1st Revised Sheet No. 6-66
Cancels Original Sheet No. 6-66

SECTION NO. 6

6. Reserved For Future Use

(T)

(D)

(D)

Issued: May 7, 2012

Issued By

Kenneth Mason

Effective: July 3, 2012

Vice President Government & Regulatory Affairs

Advice No.: NV-12-03

ACCESS SERVICES

CITIZENS TELECOMMUNICATIONS COMPANY OF NEVADA
d/b/a Frontier Communications of Nevada
180 S. Clinton Ave. Rochester, NY 14646
P.U.C.N. Tariff No. A-3

1st Revised Sheet No. 6-67
Cancels Original Sheet No. 6-67

SECTION NO. 6

6. Reserved For Future Use

(T)

(D)

(D)

Issued: May 7, 2012

Issued By

Kenneth Mason

Effective: July 3, 2012

Vice President Government & Regulatory Affairs

Advice No.: NV-12-03

ACCESS SERVICES

CITIZENS TELECOMMUNICATIONS COMPANY OF NEVADA
d/b/a Frontier Communications of Nevada
180 S. Clinton Ave. Rochester, NY 14646
P.U.C.N. Tariff No. A-3

1st Revised Sheet No. 6-68
Cancels Original Sheet No. 6-68

SECTION NO. 6

6. Reserved For Future Use

(T)

(D)

(D)

Issued: May 7, 2012

Effective: July 3, 2012
Advice No.: NV-12-03

Issued By
Kenneth Mason
Vice President Government & Regulatory Affairs

ACCESS SERVICES

CITIZENS TELECOMMUNICATIONS COMPANY OF NEVADA
d/b/a Frontier Communications of Nevada
180 S. Clinton Ave. Rochester, NY 14646
P.U.C.N. Tariff No. A-3

1st Revised Sheet No. 6-69
Cancels Original Sheet No. 6-69

SECTION NO. 6

6. Reserved For Future Use

(T)

(D)

(D)

Issued: May 7, 2012

Issued By

Kenneth Mason

Effective: July 3, 2012

Vice President Government & Regulatory Affairs

Advice No.: NV-12-03

ACCESS SERVICES

CITIZENS TELECOMMUNICATIONS COMPANY OF NEVADA
d/b/a Frontier Communications of Nevada
180 S. Clinton Ave. Rochester, NY 14646
P.U.C.N. Tariff No. A-3

1st Revised Sheet No. 6-70
Cancels Original Sheet No. 6-70

SECTION NO. 6

6. Reserved For Future Use

(T)

(D)

(D)

Issued: May 7, 2012

Issued By

Kenneth Mason

Effective: July 3, 2012

Vice President Government & Regulatory Affairs

Advice No.: NV-12-03

ACCESS SERVICES

CITIZENS TELECOMMUNICATIONS COMPANY OF NEVADA
d/b/a Frontier Communications of Nevada
180 S. Clinton Ave. Rochester, NY 14646
P.U.C.N. Tariff No. A-3

1st Revised Sheet No. 6-71
Cancels Original Sheet No. 6-71

SECTION NO. 6

6. Reserved For Future Use

(T)

(D)

(D)

Issued: May 7, 2012

Effective: July 3, 2012
Advice No.: NV-12-03

Issued By
Kenneth Mason
Vice President Government & Regulatory Affairs

ACCESS SERVICES

CITIZENS TELECOMMUNICATIONS COMPANY OF NEVADA
d/b/a Frontier Communications of Nevada
180 S. Clinton Ave. Rochester, NY 14646
P.U.C.N. Tariff No. A-3

1st Revised Sheet No. 6-72
Cancels Original Sheet No. 6-72

SECTION NO. 6

6. Reserved For Future Use

(T)

(D)

(D)

Issued: May 7, 2012

Effective: July 3, 2012
Advice No.: NV-12-03

Issued By
Kenneth Mason
Vice President Government & Regulatory Affairs

ACCESS SERVICES

CITIZENS TELECOMMUNICATIONS COMPANY OF NEVADA
d/b/a Frontier Communications of Nevada
180 S. Clinton Ave. Rochester, NY 14646
P.U.C.N. Tariff No. A-3

1st Revised Sheet No. 6-73
Cancels Original Sheet No. 6-73

SECTION NO. 6

6. Reserved For Future Use

(T)

(D)

(D)

Issued: May 7, 2012

Effective: July 3, 2012
Advice No.: NV-12-03

Issued By
Kenneth Mason
Vice President Government & Regulatory Affairs

ACCESS SERVICES

CITIZENS TELECOMMUNICATIONS COMPANY OF NEVADA
d/b/a Frontier Communications of Nevada
180 S. Clinton Ave. Rochester, NY 14646
P.U.C.N. Tariff No. A-3

1st Revised Sheet No. 6-74
Cancels Original Sheet No. 6-74

SECTION NO. 6

6. Reserved For Future Use

(T)

(D)

(D)

Issued: May 7, 2012

Issued By
Kenneth Mason

Effective: July 3, 2012
Advice No.: NV-12-03

Vice President Government & Regulatory Affairs

ACCESS SERVICES

CITIZENS TELECOMMUNICATIONS COMPANY OF NEVADA
d/b/a Frontier Communications of Nevada
180 S. Clinton Ave. Rochester, NY 14646
P.U.C.N. Tariff No. A-3

1st Revised Sheet No. 6-75
Cancels Original Sheet No. 6-75

SECTION NO. 6

6. Reserved For Future Use

(T)

(D)

(D)

Issued: May 7, 2012

Issued By

Kenneth Mason

Effective: July 3, 2012

Vice President Government & Regulatory Affairs

Advice No.: NV-12-03

ACCESS SERVICES

CITIZENS TELECOMMUNICATIONS COMPANY OF NEVADA
d/b/a Frontier Communications of Nevada
180 S. Clinton Ave. Rochester, NY 14646
P.U.C.N. Tariff No. A-3

1st Revised Sheet No. 6-76
Cancels Original Sheet No. 6-76

SECTION NO. 6

6. Reserved For Future Use

(T)

(D)

(D)

Issued: May 7, 2012

Issued By

Kenneth Mason

Effective: July 3, 2012

Vice President Government & Regulatory Affairs

Advice No.: NV-12-03

ACCESS SERVICES

CITIZENS TELECOMMUNICATIONS COMPANY OF NEVADA
d/b/a Frontier Communications of Nevada
180 S. Clinton Ave. Rochester, NY 14646
P.U.C.N. Tariff No. A-3

1st Revised Sheet No. 6-77
Cancels Original Sheet No. 6-77

SECTION NO. 6

6. Reserved For Future Use

(T)

(D)

(D)

Issued: May 7, 2012

Effective: July 3, 2012
Advice No.: NV-12-03

Issued By
Kenneth Mason
Vice President Government & Regulatory Affairs

ACCESS SERVICES

CITIZENS TELECOMMUNICATIONS COMPANY OF NEVADA
d/b/a Frontier Communications of Nevada
180 S. Clinton Ave. Rochester, NY 14646
P.U.C.N. Tariff No. A-3

1st Revised Sheet No. 6-78
Cancels Original Sheet No. 6-78

SECTION NO. 6

6. Reserved For Future Use

(T)

(D)

(D)

Issued: May 7, 2012

Issued By

Kenneth Mason

Effective: July 3, 2012

Vice President Government & Regulatory Affairs

Advice No.: NV-12-03

ACCESS SERVICES

CITIZENS TELECOMMUNICATIONS COMPANY OF NEVADA
d/b/a Frontier Communications of Nevada
180 S. Clinton Ave. Rochester, NY 14646
P.U.C.N. Tariff No. A-3

1st Revised Sheet No. 6-79
Cancels Original Sheet No. 6-79

SECTION NO. 6

6. Reserved For Future Use

(T)

(D)

(D)

Issued: May 7, 2012

Issued By
Kenneth Mason

Effective: July 3, 2012
Advice No.: NV-12-03

Vice President Government & Regulatory Affairs

ACCESS SERVICES

CITIZENS TELECOMMUNICATIONS COMPANY OF NEVADA
d/b/a Frontier Communications of Nevada
180 S. Clinton Ave. Rochester, NY 14646
P.U.C.N. Tariff No. A-3

1st Revised Sheet No. 6-80
Cancels Original Sheet No. 6-80

SECTION NO. 6

6. Reserved For Future Use

(T)

(D)

(D)

Issued: May 7, 2012

Issued By

Kenneth Mason

Effective: July 3, 2012

Vice President Government & Regulatory Affairs

Advice No.: NV-12-03

ACCESS SERVICES

CITIZENS TELECOMMUNICATIONS COMPANY OF NEVADA
d/b/a Frontier Communications of Nevada
180 S. Clinton Ave. Rochester, NY 14646
P.U.C.N. Tariff No. A-3

1st Revised Sheet No. 6-81
Cancels Original Sheet No. 6-81

SECTION NO. 6

6. Reserved For Future Use

(T)

(D)

(D)

Issued: May 7, 2012

Effective: July 3, 2012
Advice No.: NV-12-03

Issued By
Kenneth Mason
Vice President Government & Regulatory Affairs

ACCESS SERVICES

CITIZENS TELECOMMUNICATIONS COMPANY OF NEVADA
d/b/a Frontier Communications of Nevada
180 S. Clinton Ave. Rochester, NY 14646
P.U.C.N. Tariff No. A-3

1st Revised Sheet No. 6-82
Cancels Original Sheet No. 6-82

SECTION NO. 6

6. Reserved For Future Use

(T)

(D)

(D)

Issued: May 7, 2012

Issued By

Kenneth Mason

Effective: July 3, 2012

Vice President Government & Regulatory Affairs

Advice No.: NV-12-03

ACCESS SERVICES

CITIZENS TELECOMMUNICATIONS COMPANY OF NEVADA
d/b/a Frontier Communications of Nevada
180 S. Clinton Ave. Rochester, NY 14646
P.U.C.N. Tariff No. A-3

1st Revised Sheet No. 6-83
Cancels Original Sheet No. 6-83

SECTION NO. 6

6. Reserved For Future Use

(T)

(D)

(D)

Issued: May 7, 2012

Issued By

Kenneth Mason

Effective: July 3, 2012

Vice President Government & Regulatory Affairs

Advice No.: NV-12-03

ACCESS SERVICES

CITIZENS TELECOMMUNICATIONS COMPANY OF NEVADA
d/b/a Frontier Communications of Nevada
180 S. Clinton Ave. Rochester, NY 14646
P.U.C.N. Tariff No. A-3

1st Revised Sheet No. 6-84
Cancels Original Sheet No. 6-84

SECTION NO. 6

6. Reserved For Future Use

(T)

(D)

(D)

Issued: May 7, 2012

Issued By

Kenneth Mason

Effective: July 3, 2012

Vice President Government & Regulatory Affairs

Advice No.: NV-12-03

ACCESS SERVICES

CITIZENS TELECOMMUNICATIONS COMPANY OF NEVADA
d/b/a Frontier Communications of Nevada
180 S. Clinton Ave. Rochester, NY 14646
P.U.C.N. Tariff No. A-3

1st Revised Sheet No. 6-85
Cancels Original Sheet No. 6-85

SECTION NO. 6

6. Reserved For Future Use

(T)

(D)

(D)

Issued: May 7, 2012

Effective: July 3, 2012
Advice No.: NV-12-03

Issued By
Kenneth Mason
Vice President Government & Regulatory Affairs

ACCESS SERVICES

CITIZENS TELECOMMUNICATIONS COMPANY OF NEVADA
d/b/a Frontier Communications of Nevada
180 S. Clinton Ave. Rochester, NY 14646
P.U.C.N. Tariff No. A-3

1st Revised Sheet No. 6-86
Cancels Original Sheet No. 6-86

SECTION NO. 6

6. Reserved For Future Use

(T)

(D)

(D)

Issued: May 7, 2012

Effective: July 3, 2012
Advice No.: NV-12-03

Issued By
Kenneth Mason
Vice President Government & Regulatory Affairs

ACCESS SERVICES

CITIZENS TELECOMMUNICATIONS COMPANY OF NEVADA
d/b/a Frontier Communications of Nevada
180 S. Clinton Ave. Rochester, NY 14646
P.U.C.N. Tariff No. A-3

1st Revised Sheet No. 6-87
Cancels Original Sheet No. 6-87

SECTION NO. 6

6. Reserved For Future Use

(T)

(D)

(D)

Issued: May 7, 2012

Effective: July 3, 2012
Advice No.: NV-12-03

Issued By
Kenneth Mason
Vice President Government & Regulatory Affairs

ACCESS SERVICES

CITIZENS TELECOMMUNICATIONS COMPANY OF NEVADA
d/b/a Frontier Communications of Nevada
180 S. Clinton Ave. Rochester, NY 14646
P.U.C.N. Tariff No. A-3

1st Revised Sheet No. 6-88
Cancels Original Sheet No. 6-88

SECTION NO. 6

6. Reserved For Future Use

(T)

(D)

(D)

Issued: May 7, 2012

Effective: July 3, 2012
Advice No.: NV-12-03

Issued By
Kenneth Mason
Vice President Government & Regulatory Affairs

ACCESS SERVICES

CITIZENS TELECOMMUNICATIONS COMPANY OF NEVADA
d/b/a Frontier Communications of Nevada
180 S. Clinton Ave. Rochester, NY 14646
P.U.C.N. Tariff No. A-3

1st Revised Sheet No. 6-89
Cancels Original Sheet No. 6-89

SECTION NO. 6

6. Reserved For Future Use

(T)

(D)

(D)

Issued: May 7, 2012

Effective: July 3, 2012
Advice No.: NV-12-03

Issued By
Kenneth Mason
Vice President Government & Regulatory Affairs

ACCESS SERVICES

CITIZENS TELECOMMUNICATIONS COMPANY OF NEVADA
d/b/a Frontier Communications of Nevada
180 S. Clinton Ave. Rochester, NY 14646
P.U.C.N. Tariff No. A-3

1st Revised Sheet No. 6-90
Cancels Original Sheet No. 6-90

SECTION NO. 6

6. Reserved For Future Use

(T)

(D)

(D)

Issued: May 7, 2012

Effective: July 3, 2012
Advice No.: NV-12-03

Issued By
Kenneth Mason
Vice President Government & Regulatory Affairs

ACCESS SERVICES

CITIZENS TELECOMMUNICATIONS COMPANY OF NEVADA
d/b/a Frontier Communications of Nevada
180 S. Clinton Ave. Rochester, NY 14646
P.U.C.N. Tariff No. A-3

1st Revised Sheet No. 6-91
Cancels Original Sheet No. 6-91

SECTION NO. 6

6. Reserved For Future Use

(T)

(D)

(D)

Issued: May 7, 2012

Effective: July 3, 2012
Advice No.: NV-12-03

Issued By
Kenneth Mason
Vice President Government & Regulatory Affairs

ACCESS SERVICES

CITIZENS TELECOMMUNICATIONS COMPANY OF NEVADA
d/b/a Frontier Communications of Nevada
180 S. Clinton Ave. Rochester, NY 14646
P.U.C.N. Tariff No. A-3

1st Revised Sheet No. 6-92
Cancels Original Sheet No. 6-92

SECTION NO. 6

6. Reserved For Future Use

(T)

(D)

(D)

Issued: May 7, 2012

Issued By

Kenneth Mason

Effective: July 3, 2012

Vice President Government & Regulatory Affairs

Advice No.: NV-12-03

ACCESS SERVICES

CITIZENS TELECOMMUNICATIONS COMPANY OF NEVADA
d/b/a Frontier Communications of Nevada
180 S. Clinton Ave. Rochester, NY 14646
P.U.C.N. Tariff No. A-3

1st Revised Sheet No. 6-93
Cancels Original Sheet No. 6-93

SECTION NO. 6

6. Reserved For Future Use

(T)

(D)

(D)

Issued: May 7, 2012

Issued By

Kenneth Mason

Effective: July 3, 2012

Vice President Government & Regulatory Affairs

Advice No.: NV-12-03

ACCESS SERVICES

CITIZENS TELECOMMUNICATIONS COMPANY OF NEVADA
d/b/a Frontier Communications of Nevada
180 S. Clinton Ave. Rochester, NY 14646
P.U.C.N. Tariff No. A-3

1st Revised Sheet No. 6-94
Cancels Original Sheet No. 6-94

SECTION NO. 6

6. Reserved For Future Use

(T)

(D)

(D)

Issued: May 7, 2012

Effective: July 3, 2012
Advice No.: NV-12-03

Issued By
Kenneth Mason
Vice President Government & Regulatory Affairs

ACCESS SERVICES

CITIZENS TELECOMMUNICATIONS COMPANY OF NEVADA
d/b/a Frontier Communications of Nevada
180 S. Clinton Ave. Rochester, NY 14646
P.U.C.N. Tariff No. A-3

1st Revised Sheet No. 6-95
Cancels Original Sheet No. 6-95

SECTION NO. 6

6. Reserved For Future Use

(T)

(D)

(D)

Issued: May 7, 2012

Issued By

Kenneth Mason

Effective: July 3, 2012

Vice President Government & Regulatory Affairs

Advice No.: NV-12-03

ACCESS SERVICES

CITIZENS TELECOMMUNICATIONS COMPANY OF NEVADA
d/b/a Frontier Communications of Nevada
180 S. Clinton Ave. Rochester, NY 14646
P.U.C.N. Tariff No. A-3

1st Revised Sheet No. 6-96
Cancels Original Sheet No. 6-96

SECTION NO. 6

6. Reserved For Future Use

(T)

(D)

(D)

Issued: May 7, 2012

Effective: July 3, 2012
Advice No.: NV-12-03

Issued By
Kenneth Mason
Vice President Government & Regulatory Affairs

ACCESS SERVICES

CITIZENS TELECOMMUNICATIONS COMPANY OF NEVADA
d/b/a Frontier Communications of Nevada
180 S. Clinton Ave. Rochester, NY 14646
P.U.C.N. Tariff No. A-3

1st Revised Sheet No. 6-97
Cancels Original Sheet No. 6-97

SECTION NO. 6

6. Reserved For Future Use

(T)

(D)

(D)

Issued: May 7, 2012

Issued By

Kenneth Mason

Effective: July 3, 2012

Vice President Government & Regulatory Affairs

Advice No.: NV-12-03

ACCESS SERVICES

CITIZENS TELECOMMUNICATIONS COMPANY OF NEVADA
d/b/a Frontier Communications of Nevada
180 S. Clinton Ave. Rochester, NY 14646
P.U.C.N. Tariff No. A-3

1st Revised Sheet No. 6-98
Cancels Original Sheet No. 6-98

SECTION NO. 6

6. Reserved For Future Use

(T)

(D)

(D)

Issued: May 7, 2012

Effective: July 3, 2012
Advice No.: NV-12-03

Issued By
Kenneth Mason
Vice President Government & Regulatory Affairs

ACCESS SERVICES

CITIZENS TELECOMMUNICATIONS COMPANY OF NEVADA
d/b/a Frontier Communications of Nevada
180 S. Clinton Ave. Rochester, NY 14646
P.U.C.N. Tariff No. A-3

1st Revised Sheet No. 6-99
Cancels Original Sheet No. 6-99

SECTION NO. 6

6. Reserved For Future Use

(T)

(D)

(D)

Issued: May 7, 2012

Effective: July 3, 2012
Advice No.: NV-12-03

Issued By
Kenneth Mason
Vice President Government & Regulatory Affairs

ACCESS SERVICES

CITIZENS TELECOMMUNICATIONS COMPANY OF NEVADA
d/b/a Frontier Communications of Nevada
180 S. Clinton Ave. Rochester, NY 14646
P.U.C.N. Tariff No. A-3

1st Revised Sheet No. 6-100
Cancels Original Sheet No. 6-100

SECTION NO. 6

6. Reserved For Future Use

(T)

(D)

(D)

Issued: May 7, 2012

Effective: July 3, 2012
Advice No.: NV-12-03

Issued By
Kenneth Mason
Vice President Government & Regulatory Affairs

ACCESS SERVICES

CITIZENS TELECOMMUNICATIONS COMPANY OF NEVADA
d/b/a Frontier Communications of Nevada
180 S. Clinton Ave. Rochester, NY 14646
P.U.C.N. Tariff No. A-3

1st Revised Sheet No. 6-101
Cancels Original Sheet No. 6-101

SECTION NO. 6

6. Reserved For Future Use

(T)

(D)

(D)

Issued: May 7, 2012

Effective: July 3, 2012
Advice No.: NV-12-03

Issued By
Kenneth Mason
Vice President Government & Regulatory Affairs

ACCESS SERVICES

CITIZENS TELECOMMUNICATIONS COMPANY OF NEVADA
d/b/a Frontier Communications of Nevada
180 S. Clinton Ave. Rochester, NY 14646
P.U.C.N. Tariff No. A-3

1st Revised Sheet No. 6-102
Cancels Original Sheet No. 6-102

SECTION NO. 6

6. Reserved For Future Use

(T)

(D)

(D)

Issued: May 7, 2012

Effective: July 3, 2012
Advice No.: NV-12-03

Issued By
Kenneth Mason
Vice President Government & Regulatory Affairs

ACCESS SERVICES

CITIZENS TELECOMMUNICATIONS COMPANY OF NEVADA
d/b/a Frontier Communications of Nevada
180 S. Clinton Ave. Rochester, NY 14646
P.U.C.N. Tariff No. A-3

1st Revised Sheet No. 6-103
Cancels Original Sheet No. 6-103

SECTION NO. 6

6. Reserved For Future Use

(T)

(D)

(D)

Issued: May 7, 2012

Effective: July 3, 2012
Advice No.: NV-12-03

Issued By
Kenneth Mason
Vice President Government & Regulatory Affairs

ACCESS SERVICES

CITIZENS TELECOMMUNICATIONS COMPANY OF NEVADA
d/b/a Frontier Communications of Nevada
180 S. Clinton Ave. Rochester, NY 14646
P.U.C.N. Tariff No. A-3

1st Revised Sheet No. 6-104
Cancels Original Sheet No. 6-104

SECTION NO. 6

6. Reserved For Future Use

(T)

(D)

(D)

Issued: May 7, 2012

Effective: July 3, 2012
Advice No.: NV-12-03

Issued By
Kenneth Mason
Vice President Government & Regulatory Affairs

ACCESS SERVICES

CITIZENS TELECOMMUNICATIONS COMPANY OF NEVADA
d/b/a Frontier Communications of Nevada
180 S. Clinton Ave. Rochester, NY 14646
P.U.C.N. Tariff No. A-3

1st Revised Sheet No. 6-105
Cancels Original Sheet No. 6-105

SECTION NO. 6

6. Reserved For Future Use

(T)

(D)

(D)

Issued: May 7, 2012

Effective: July 3, 2012
Advice No.: NV-12-03

Issued By
Kenneth Mason
Vice President Government & Regulatory Affairs

ACCESS SERVICES

CITIZENS TELECOMMUNICATIONS COMPANY OF NEVADA
d/b/a Frontier Communications of Nevada
180 S. Clinton Ave. Rochester, NY 14646
P.U.C.N. Tariff No. A-3

1st Revised Sheet No. 6-106
Cancels Original Sheet No. 6-106

SECTION NO. 6

6. Reserved For Future Use

(T)

(D)

(D)

Issued: May 7, 2012

Effective: July 3, 2012
Advice No.: NV-12-03

Issued By
Kenneth Mason
Vice President Government & Regulatory Affairs

ACCESS SERVICES

CITIZENS TELECOMMUNICATIONS COMPANY OF NEVADA
d/b/a Frontier Communications of Nevada
180 S. Clinton Ave. Rochester, NY 14646
P.U.C.N. Tariff No. A-3

1st Revised Sheet No. 6-107
Cancels Original Sheet No. 6-107

SECTION NO. 6

6. Reserved For Future Use

(T)

(D)

(D)

Issued: May 7, 2012

Effective: July 3, 2012
Advice No.: NV-12-03

Issued By
Kenneth Mason
Vice President Government & Regulatory Affairs

ACCESS SERVICES

CITIZENS TELECOMMUNICATIONS COMPANY OF NEVADA
d/b/a Frontier Communications of Nevada
180 S. Clinton Ave. Rochester, NY 14646
P.U.C.N. Tariff No. A-3

1st Revised Sheet No. 6-108
Cancels Original Sheet No. 6-108

SECTION NO. 6

6. Reserved For Future Use

(T)

(D)

(D)

Issued: May 7, 2012

Effective: July 3, 2012
Advice No.: NV-12-03

Issued By
Kenneth Mason
Vice President Government & Regulatory Affairs

ACCESS SERVICES

CITIZENS TELECOMMUNICATIONS COMPANY OF NEVADA
d/b/a Frontier Communications of Nevada
180 S. Clinton Ave. Rochester, NY 14646
P.U.C.N. Tariff No. A-3

1st Revised Sheet No. 6-109
Cancels Original Sheet No. 6-109

SECTION NO. 6

6. Reserved For Future Use

(T)

(D)

(D)

Issued: May 7, 2012

Issued By

Kenneth Mason

Effective: July 3, 2012

Vice President Government & Regulatory Affairs

Advice No.: NV-12-03

ACCESS SERVICES

CITIZENS TELECOMMUNICATIONS COMPANY OF NEVADA
d/b/a Frontier Communications of Nevada
180 S. Clinton Ave. Rochester, NY 14646
P.U.C.N. Tariff No. A-3

1st Revised Sheet No. 6-110
Cancels Original Sheet No. 6-110

SECTION NO. 6

6. Reserved For Future Use

(T)

(D)

(D)

Issued: May 7, 2012

Effective: July 3, 2012
Advice No.: NV-12-03

Issued By
Kenneth Mason
Vice President Government & Regulatory Affairs

ACCESS SERVICES

CITIZENS TELECOMMUNICATIONS COMPANY OF NEVADA
d/b/a Frontier Communications of Nevada
180 S. Clinton Ave. Rochester, NY 14646
P.U.C.N. Tariff No. A-3

1st Revised Sheet No. 6-111
Cancels Original Sheet No. 6-111

SECTION NO. 6

6. Reserved For Future Use

(T)

(D)

(D)

Issued: May 7, 2012

Effective: July 3, 2012
Advice No.: NV-12-03

Issued By
Kenneth Mason
Vice President Government & Regulatory Affairs

ACCESS SERVICES

CITIZENS TELECOMMUNICATIONS COMPANY OF NEVADA
d/b/a Frontier Communications of Nevada
180 S. Clinton Ave. Rochester, NY 14646
P.U.C.N. Tariff No. A-3

1st Revised Sheet No. 6-112
Cancels Original Sheet No. 6-112

SECTION NO. 6

6. Reserved For Future Use

(T)

(D)

(D)

Issued: May 7, 2012

Effective: July 3, 2012
Advice No.: NV-12-03

Issued By
Kenneth Mason
Vice President Government & Regulatory Affairs

ACCESS SERVICES

CITIZENS TELECOMMUNICATIONS COMPANY OF NEVADA
d/b/a Frontier Communications of Nevada
180 S. Clinton Ave. Rochester, NY 14646
P.U.C.N. Tariff No. A-3

1st Revised Sheet No. 6-113
Cancels Original Sheet No. 6-113

SECTION NO. 6

6. Reserved For Future Use

(T)

(D)

(D)

Issued: May 7, 2012

Effective: July 3, 2012
Advice No.: NV-12-03

Issued By
Kenneth Mason
Vice President Government & Regulatory Affairs

ACCESS SERVICES

CITIZENS TELECOMMUNICATIONS COMPANY OF NEVADA
d/b/a Frontier Communications of Nevada
180 S. Clinton Ave. Rochester, NY 14646
P.U.C.N. Tariff No. A-3

1st Revised Sheet No. 6-114
Cancels Original Sheet No. 6-114

SECTION NO. 6

6. Reserved For Future Use

(T)

(D)

(D)

Issued: May 7, 2012

Effective: July 3, 2012
Advice No.: NV-12-03

Issued By
Kenneth Mason
Vice President Government & Regulatory Affairs

ACCESS SERVICES

CITIZENS TELECOMMUNICATIONS COMPANY OF NEVADA
d/b/a Frontier Communications of Nevada
180 S. Clinton Ave. Rochester, NY 14646
P.U.C.N. Tariff No. A-3

1st Revised Sheet No. 6-115
Cancels Original Sheet No. 6-115

SECTION NO. 6

6. Reserved For Future Use

(T)

(D)

(D)

Issued: May 7, 2012

Effective: July 3, 2012
Advice No.: NV-12-03

Issued By
Kenneth Mason
Vice President Government & Regulatory Affairs

ACCESS SERVICES

CITIZENS TELECOMMUNICATIONS COMPANY OF NEVADA
d/b/a Frontier Communications of Nevada
180 S. Clinton Ave. Rochester, NY 14646
P.U.C.N. Tariff No. A-3

1st Revised Sheet No. 6-116
Cancels Original Sheet No. 6-116

SECTION NO. 6

6. Reserved For Future Use

(T)

(D)

(D)

Issued: May 7, 2012

Effective: July 3, 2012
Advice No.: NV-12-03

Issued By
Kenneth Mason
Vice President Government & Regulatory Affairs

ACCESS SERVICES

CITIZENS TELECOMMUNICATIONS COMPANY OF NEVADA
d/b/a Frontier Communications of Nevada
180 S. Clinton Ave. Rochester, NY 14646
P.U.C.N. Tariff No. A-3

1st Revised Sheet No. 6-117
Cancels Original Sheet No. 6-117

SECTION NO. 6

6. Reserved For Future Use

(T)

(D)

(D)

Issued: May 7, 2012

Effective: July 3, 2012
Advice No.: NV-12-03

Issued By
Kenneth Mason
Vice President Government & Regulatory Affairs

ACCESS SERVICES

CITIZENS TELECOMMUNICATIONS COMPANY OF NEVADA
d/b/a Frontier Communications of Nevada
180 S. Clinton Ave. Rochester, NY 14646
P.U.C.N. Tariff No. A-3

1st Revised Sheet No. 6-118
Cancels Original Sheet No. 6-118

SECTION NO. 6

6. Reserved For Future Use

(T)

(D)

(D)

Issued: May 7, 2012

Effective: July 3, 2012
Advice No.: NV-12-03

Issued By
Kenneth Mason
Vice President Government & Regulatory Affairs

ACCESS SERVICES

CITIZENS TELECOMMUNICATIONS COMPANY OF NEVADA
d/b/a Frontier Communications of Nevada
180 S. Clinton Ave. Rochester, NY 14646
P.U.C.N. Tariff No. A-3

1st Revised Sheet No. 6-119
Cancels Original Sheet No. 6-119

SECTION NO. 6

6. Reserved For Future Use

(T)

(D)

(D)

Issued: May 7, 2012

Effective: July 3, 2012
Advice No.: NV-12-03

Issued By
Kenneth Mason
Vice President Government & Regulatory Affairs

ACCESS SERVICES

CITIZENS TELECOMMUNICATIONS COMPANY OF NEVADA
d/b/a Frontier Communications of Nevada
180 S. Clinton Ave. Rochester, NY 14646
P.U.C.N. Tariff No. A-3

1st Revised Sheet No. 6-120
Cancels Original Sheet No. 6-120

SECTION NO. 6

6. Reserved For Future Use

(T)

(D)

(D)

Issued: May 7, 2012

Effective: July 3, 2012
Advice No.: NV-12-03

Issued By
Kenneth Mason
Vice President Government & Regulatory Affairs

ACCESS SERVICES

CITIZENS TELECOMMUNICATIONS COMPANY OF NEVADA
d/b/a Frontier Communications of Nevada
180 S. Clinton Ave. Rochester, NY 14646
P.U.C.N. Tariff No. A-3

1st Revised Sheet No. 6-121
Cancels Original Sheet No. 6-121

SECTION NO. 6

6. Reserved For Future Use

(T)

(D)

(D)

Issued: May 7, 2012

Issued By
Kenneth Mason

Effective: July 3, 2012
Advice No.: NV-12-03

Vice President Government & Regulatory Affairs

ACCESS SERVICES

CITIZENS TELECOMMUNICATIONS COMPANY OF NEVADA
d/b/a Frontier Communications of Nevada
180 S. Clinton Ave. Rochester, NY 14646
P.U.C.N. Tariff No. A-3

1st Revised Sheet No. 6-122
Cancels Original Sheet No. 6-122

SECTION NO. 6

6. Reserved For Future Use

(T)

(D)

(D)

Issued: May 7, 2012

Issued By

Kenneth Mason

Effective: July 3, 2012

Vice President Government & Regulatory Affairs

Advice No.: NV-12-03

ACCESS SERVICES

CITIZENS TELECOMMUNICATIONS COMPANY OF NEVADA
d/b/a Frontier Communications of Nevada
180 S. Clinton Ave. Rochester, NY 14646
P.U.C.N. Tariff No. A-3

1st Revised Sheet No. 6-123
Cancels Original Sheet No. 6-123

SECTION NO. 6

6. Reserved For Future Use

(T)

(D)

(D)

Issued: May 7, 2012

Effective: July 3, 2012
Advice No.: NV-12-03

Issued By
Kenneth Mason
Vice President Government & Regulatory Affairs

ACCESS SERVICES

CITIZENS TELECOMMUNICATIONS COMPANY OF NEVADA
d/b/a Frontier Communications of Nevada
180 S. Clinton Ave. Rochester, NY 14646
P.U.C.N. Tariff No. A-3

1st Revised Sheet No. 6-124
Cancels Original Sheet No. 6-124

SECTION NO. 6

6. Reserved For Future Use

(T)

(D)

(D)

Issued: May 7, 2012

Effective: July 3, 2012
Advice No.: NV-12-03

Issued By
Kenneth Mason
Vice President Government & Regulatory Affairs

ACCESS SERVICES

CITIZENS TELECOMMUNICATIONS COMPANY OF NEVADA
d/b/a Frontier Communications of Nevada
180 S. Clinton Ave. Rochester, NY 14646
P.U.C.N. Tariff No. A-3

1st Revised Sheet No. 6-125
Cancels Original Sheet No. 6-125

SECTION NO. 6

6. Reserved For Future Use

(T)

(D)

(D)

Issued: May 7, 2012

Issued By
Kenneth Mason

Effective: July 3, 2012
Advice No.: NV-12-03

Vice President Government & Regulatory Affairs

ACCESS SERVICES

CITIZENS TELECOMMUNICATIONS COMPANY OF NEVADA
d/b/a Frontier Communications of Nevada
180 S. Clinton Ave. Rochester, NY 14646
P.U.C.N. Tariff No. A-3

1st Revised Sheet No. 6-126
Cancels Original Sheet No. 6-126

SECTION NO. 6

6. Reserved For Future Use

(T)

(D)

(D)

Issued: May 7, 2012

Effective: July 3, 2012
Advice No.: NV-12-03

Issued By
Kenneth Mason
Vice President Government & Regulatory Affairs

ACCESS SERVICES

CITIZENS TELECOMMUNICATIONS COMPANY OF NEVADA
d/b/a Frontier Communications of Nevada
180 S. Clinton Ave. Rochester, NY 14646
P.U.C.N. Tariff No. A-3

1st Revised Sheet No. 6-127
Cancels Original Sheet No. 6-127

SECTION NO. 6

6. Reserved For Future Use

(T)

(D)

(D)

Issued: May 7, 2012

Effective: July 3, 2012
Advice No.: NV-12-03

Issued By
Kenneth Mason
Vice President Government & Regulatory Affairs

ACCESS SERVICES

CITIZENS TELECOMMUNICATIONS COMPANY OF NEVADA
d/b/a Frontier Communications of Nevada
180 S. Clinton Ave. Rochester, NY 14646
P.U.C.N. Tariff No. A-3

1st Revised Sheet No. 6-128
Cancels Original Sheet No. 6-128

SECTION NO. 6

6. Reserved For Future Use

(T)

(D)

(D)

Issued: May 7, 2012

Effective: July 3, 2012
Advice No.: NV-12-03

Issued By
Kenneth Mason
Vice President Government & Regulatory Affairs

ACCESS SERVICES

CITIZENS TELECOMMUNICATIONS COMPANY OF NEVADA
d/b/a Frontier Communications of Nevada
180 S. Clinton Ave. Rochester, NY 14646
P.U.C.N. Tariff No. A-3

1st Revised Sheet No. 6-129
Cancels Original Sheet No. 6-129

SECTION NO. 6

6. Reserved For Future Use

(T)

(D)

(D)

Issued: May 7, 2012

Issued By

Kenneth Mason

Effective: July 3, 2012

Vice President Government & Regulatory Affairs

Advice No.: NV-12-03

ACCESS SERVICES

CITIZENS TELECOMMUNICATIONS COMPANY OF NEVADA
d/b/a Frontier Communications of Nevada
180 S. Clinton Ave. Rochester, NY 14646
P.U.C.N. Tariff No. A-3

1st Revised Sheet No. 6-130
Cancels Original Sheet No. 6-130

SECTION NO. 6

6. Reserved For Future Use

(T)

(D)

(D)

Issued: May 7, 2012

Effective: July 3, 2012
Advice No.: NV-12-03

Issued By
Kenneth Mason
Vice President Government & Regulatory Affairs

ACCESS SERVICES

CITIZENS TELECOMMUNICATIONS COMPANY OF NEVADA
d/b/a Frontier Communications of Nevada
180 S. Clinton Ave. Rochester, NY 14646
P.U.C.N. Tariff No. A-3

1st Revised Sheet No. 6-131
Cancels Original Sheet No. 6-131

SECTION NO. 6

6. Reserved For Future Use

(T)

(D)

(D)

Issued: May 7, 2012

Effective: July 3, 2012
Advice No.: NV-12-03

Issued By
Kenneth Mason
Vice President Government & Regulatory Affairs

ACCESS SERVICES

CITIZENS TELECOMMUNICATIONS COMPANY OF NEVADA
d/b/a Frontier Communications of Nevada
180 S. Clinton Ave. Rochester, NY 14646
P.U.C.N. Tariff No. A-3

1st Revised Sheet No. 6-132
Cancels Original Sheet No. 6-132

SECTION NO. 6

6. Reserved For Future Use

(T)

(D)

(D)

Issued: May 7, 2012

Issued By
Kenneth Mason

Effective: July 3, 2012
Advice No.: NV-12-03

Vice President Government & Regulatory Affairs

ACCESS SERVICES

CITIZENS TELECOMMUNICATIONS COMPANY OF NEVADA
d/b/a Frontier Communications of Nevada
180 S. Clinton Ave. Rochester, NY 14646
P.U.C.N. Tariff No. A-3

1st Revised Sheet No. 6-133
Cancels Original Sheet No. 6-133

SECTION NO. 6

6. Reserved For Future Use

(T)

(D)

(D)

Issued: May 7, 2012

Effective: July 3, 2012
Advice No.: NV-12-03

Issued By
Kenneth Mason
Vice President Government & Regulatory Affairs

ACCESS SERVICES

CITIZENS TELECOMMUNICATIONS COMPANY OF NEVADA
d/b/a Frontier Communications of Nevada
180 S. Clinton Ave. Rochester, NY 14646
P.U.C.N. Tariff No. A-3

1st Revised Sheet No. 6-134
Cancels Original Sheet No. 6-134

SECTION NO. 6

6. Reserved For Future Use

(T)

(D)

(D)

Issued: May 7, 2012

Issued By
Kenneth Mason

Effective: July 3, 2012
Advice No.: NV-12-03

Vice President Government & Regulatory Affairs

ACCESS SERVICES

CITIZENS TELECOMMUNICATIONS COMPANY OF NEVADA
d/b/a Frontier Communications of Nevada
180 S. Clinton Ave. Rochester, NY 14646
P.U.C.N. Tariff No. A-3

1st Revised Sheet No. 6-135
Cancels Original Sheet No. 6-135

SECTION NO. 6

6. Reserved For Future Use

(T)

(D)

(D)

Issued: May 7, 2012

Effective: July 3, 2012
Advice No.: NV-12-03

Issued By
Kenneth Mason
Vice President Government & Regulatory Affairs

ACCESS SERVICES

CITIZENS TELECOMMUNICATIONS COMPANY OF NEVADA
d/b/a Frontier Communications of Nevada
180 S. Clinton Ave. Rochester, NY 14646
P.U.C.N. Tariff No. A-3

1st Revised Sheet No. 6-136
Cancels Original Sheet No. 6-136

SECTION NO. 6

6. Reserved For Future Use

(T)

(D)

(D)

Issued: May 7, 2012

Effective: July 3, 2012
Advice No.: NV-12-03

Issued By
Kenneth Mason
Vice President Government & Regulatory Affairs

ACCESS SERVICES

CITIZENS TELECOMMUNICATIONS COMPANY OF NEVADA
d/b/a Frontier Communications of Nevada
180 S. Clinton Ave. Rochester, NY 14646
P.U.C.N. Tariff No. A-3

1st Revised Sheet No. 6-137
Cancels Original Sheet No. 6-137

SECTION NO. 6

6. Reserved For Future Use

(T)

(D)

(D)

Issued: May 7, 2012

Effective: July 3, 2012
Advice No.: NV-12-03

Issued By
Kenneth Mason
Vice President Government & Regulatory Affairs

ACCESS SERVICES

CITIZENS TELECOMMUNICATIONS COMPANY OF NEVADA
d/b/a Frontier Communications of Nevada
180 S. Clinton Ave. Rochester, NY 14646
P.U.C.N. Tariff No. A-3

1st Revised Sheet No. 6-138
Cancels Original Sheet No. 6-138

SECTION NO. 6

6. Reserved For Future Use

(T)

(D)

(D)

Issued: May 7, 2012

Effective: July 3, 2012
Advice No.: NV-12-03

Issued By
Kenneth Mason
Vice President Government & Regulatory Affairs

ACCESS SERVICES

CITIZENS TELECOMMUNICATIONS COMPANY OF NEVADA
d/b/a Frontier Communications of Nevada
180 S. Clinton Ave. Rochester, NY 14646
P.U.C.N. Tariff No. A-3

1st Revised Sheet No. 6-139
Cancels Original Sheet No. 6-139

SECTION NO. 6

6. Reserved For Future Use

(T)

(D)

(D)

Issued: May 7, 2012

Issued By
Kenneth Mason

Effective: July 3, 2012
Advice No.: NV-12-03

Vice President Government & Regulatory Affairs

ACCESS SERVICES

CITIZENS TELECOMMUNICATIONS COMPANY OF NEVADA
d/b/a Frontier Communications of Nevada
180 S. Clinton Ave. Rochester, NY 14646
P.U.C.N. Tariff No. A-3

2nd Revised Sheet No. 6-140
Cancels 1st Revised Sheet No. 6-140

SECTION NO. 6

6. Reserved For Future Use

(T)

(D)

(D)

Issued: May 7, 2012

Effective: July 3, 2012
Advice No.: NV-12-03

Issued By
Kenneth Mason
Vice President Government & Regulatory Affairs

ACCESS SERVICES

CITIZENS TELECOMMUNICATIONS COMPANY OF NEVADA
180 S. Clinton Ave. Rochester, NY 14646
P.U.C.N. Tariff No. A-3

Original Sheet No. 7-1

SECTION NO. 7

7. Special Access Service

7.1 General

Special Access Service provides a transmission path to connect customer designated premises*, either directly or through a Telephone Company hub where bridging or multiplexing functions are performed. Special Access Service includes all exchange access not utilizing Telephone Company end office switches.

The connections provided by Special Access Service can be either analog or digital. Analog connections are differentiated by spectrum and bandwidth. Digital connections are differentiated by bit rate.

7.1.1 Channel Types

There are seven types of channels used to provide Special Access Services. Each type has its own characteristics. All are subdivided by one or more of the following:

- Transmission specifications,
- Bandwidth,
- Speed (i.e., bit rate),
- Spectrum

Customers can order a basic channel and select from a list of available transmission parameters and channel interfaces those that they desire to meet specific communications requirements.

For purposes of ordering channels, each has been identified as a type of Special Access Service. However, such identification is not intended to limit a customer's use of the channel nor to imply that the channel is limited to a particular use. For example, if a customer's equipment is capable of transmitting voice over a channel that is identified as a Metallic Service in this tariff, there is no restriction against doing so.

* Telephone Company Centrex CO and CO-like switches and packet switches included in Public Packet Switching Network (PPSN) Service are considered to be customer premises for purposes of this tariff.

Issued: February 15, 2002

Issued By
Laurie A. Maffett

Effective: April 18, 2002 Vice President Regulatory and Government Affairs
Advice No.:

ACCESS SERVICES

CITIZENS TELECOMMUNICATIONS COMPANY OF NEVADA
180 S. Clinton Ave. Rochester, NY 14646
P.U.C.N. Tariff No. A-3

Original Sheet No. 7-2

SECTION NO. 7

7. Special Access Service (Cont'd)

7.1 General (Cont'd)

7.1.1 Channel Types (Cont'd)

Following is a brief description of each type of channel:

Metallic - a channel for the transmission of low speed varying signals at rates up to 30 baud.

Telegraph Grade - a channel for the transmission of binary signals at rates of 0 to 75 baud or 0 to 150 baud.

Voice Grade - a channel for the transmission of analog signals within an approximate bandwidth of 300 to 3000Hz.

Program Audio - a channel for the transmission of audio signals. The nominal frequency bandwidths are from 200 to 3500 Hz, from 100 to 5000 Hz, from 50 to 8000 Hz or from 50 to 15000 Hz.

Video - a channel for the transmission of standard 525 line 60 field monochrome or National Television Systems Committee color video signal and one or two associated 5 or 15 kHz audio signals. The bandwidth is either 30 Hz to 4.5 MHz or 30 Hz to 6.6 MHz.

Digital Data - a channel for the digital transmission of synchronous serial data at rates of 2.4, 4.8, 9.6 or 56 kbps.

High Capacity - a channel for the transmission of isochronous serial digital data at rates of 1.544, 3.152, 6.312, 44.736 or 274.176 Mbps.

Issued: February 15, 2002

Issued By
Laurie A. Maffett

Effective: April 18, 2002 Vice President Regulatory and Government Affairs
Advice No.:

ACCESS SERVICES

CITIZENS TELECOMMUNICATIONS COMPANY OF NEVADA
180 S. Clinton Ave. Rochester, NY 14646
P.U.C.N. Tariff No. A-3

Original Sheet No. 7-3

SECTION NO. 7

7. Special Access Service (Cont'd)

7.1 General (Cont'd)

7.1.1 Channel Types (Cont'd)

Detailed descriptions of each of the channel types are provided in 7.5 through 7.12 following.

The customer also has the option of ordering Voice Grade and High Capacity facilities (i.e., 1.544 Mbps, 3.152 Mbps, 6.312 Mbps, 44.736 Mbps and 274.176 Mbps) to a Telephone Company hub for multiplexing to individual channels of a lower capacity or bandwidth. Descriptions of the types of multiplexing available at the hubs, as well as the number of individual channels which may be derived from each type of facility are set forth in 7.7 and 7.12 following. Additionally, the customer may specify optional features for the individual channels derived from the facility to further tailor the channel to meet specific communications requirements. Descriptions of the optional features and functions available are set forth in 7.2.1 following.

For example, a customer may order a 3.152 Mbps High Capacity channel from a customer designated premises to a Telephone Company hub for multiplexing to two 1.544 Mbps channels. The 1.544 Mbps channels may be further multiplexed at the same or a different hub to Voice Grade channels or may be extended to other customer designated premises. Optional features may be added to either the 1.544 Mbps or the Voice Grade channels.

Issued: February 15, 2002

Issued By
Laurie A. Maffett

Effective: April 18, 2002 Vice President Regulatory and Government Affairs
Advice No.:

ACCESS SERVICES

CITIZENS TELECOMMUNICATIONS COMPANY OF NEVADA
180 S. Clinton Ave. Rochester, NY 14646
P.U.C.N. Tariff No. A-3

Original Sheet No. 7-4

SECTION NO. 7

7. Special Access Service (Cont'd)

7.1 General (Cont'd)

7.1.2 Service Descriptions

For the purposes of ordering, there are seven categories of Special Access Service. These are:

- Metallic (MT)
- Telegraph Grade (TG)
- Program Audio (AP)
- Video (TV)
- Voice (VG)
- Digital Data (DA)
- High Capacity (HC)

Each service consists of a basic channel to which a technical specifications package (customized or predefined), channel interface(s) and, when desired, optional features and functions are added to construct the service desired by the customer. Technical specifications packages and optional features and functions are described in this section. Channel interfaces are described in 15.3.

Customized technical specifications packages will be provided where technically feasible. If the Telephone Company determines that the requested parameter specifications are not compatible, the customer will be advised and given the opportunity to change the order.

When a customized channel is ordered the customer will be notified whether Additional Engineering Charges apply. In such cases, the customer will be given an estimate of the hours to be billed before any further action is taken on the order.

The channel description specifies the characteristics of the basic channel and indicates whether the channel is provided between customer designated premises or between a customer designated premises and a Telephone Company hub where bridging or multiplexing functions are performed.

Issued: February 15, 2002

Issued By
Laurie A. Maffett

Effective: April 18, 2002 Vice President Regulatory and Government Affairs
Advice No.:

ACCESS SERVICES

CITIZENS TELECOMMUNICATIONS COMPANY OF NEVADA
180 S. Clinton Ave. Rochester, NY 14646
P.U.C.N. Tariff No. A-3

Original Sheet No. 7-5

SECTION NO. 7

7. Special Access Service (Cont'd)

7.1 General (Cont'd)

7.1.2 Service Descriptions (Cont'd)

- (A) Information pertaining to the technical specifications packages indicates the transmission parameters that are available with each package. This information is displayed in a matrix with the transmission parameters listed down the left side and the packages listed across the top. Each package is identified by a code, e.g., VGC. The first two letters of the code indicate the category of Special Access Service to which the parameters are applicable. These two letter codes are shown above in parentheses following the category of Special Access Service. The letter "C" following the two letter code indicates the technical specifications package for a customized service. A numeric or alpha-numeric designation following the two letter code indicates the specific predefined package. For a customized service, the customer may select any parameters available with that category of service as long as the parameters are compatible. When appropriate, the Technical Reference which contains detailed specifications for the parameters is shown following the matrix.
- (B) Channel interfaces at each Point of Termination on a two-point service may be symmetrical or asymmetrical. On a multipoint service they may also be symmetrical or asymmetrical, but communications can only be provided between compatible channel interfaces. Only certain channel interfaces are compatible. These are set forth in 15.3 following, in a combination format.
- (C) Only certain channel interface combinations are available with the predefined technical specifications packages. These are delineated in the Technical References set forth in (F) following. When a customized channel is requested, all channel interface combinations available with the specified type of service are available with the customized channel.
- (D) The optional features and functions available with each type of Special Access Service are described in this section. The optional features and functions information also indicates with which technical specifications packages they are available. Such information is displayed in a matrix with the optional

Issued: February 15, 2002

Issued By
Laurie A. Maffett

Effective: April 18, 2002 Vice President Regulatory and Government Affairs
Advice No.:

ACCESS SERVICES

CITIZENS TELECOMMUNICATIONS COMPANY OF NEVADA
180 S. Clinton Ave. Rochester, NY 14646
P.U.C.N. Tariff No. A-3

Original Sheet No. 7-6

SECTION NO. 7

7. Special Access Service (Cont'd)

7.1 General (Cont'd)

7.1.2 Service Descriptions (Cont'd)

(D) (Cont'd)

feature or function listed down the left side and the technical specifications package listed across the top.

(E) The Telephone Company will maintain existing transmission specifications on services installed prior to the effective date of this tariff, except that existing services with performance specifications exceeding the standards listed in this provision will be maintained at the performance levels specified in this tariff.

(F) All services installed after the effective date of this tariff will conform to the transmission specification standards contained in this tariff or in the following Technical References for each category of service:

Metallic	PUB	62502
Telegraph Grade	PUB	62502
Voice Grade	PUB	62501 and associated Addendum
	PUB	41004, Table 4
Program Audio	PUB	62503 and associated Addendum
Video	PUB	62504 and associated Addendum
Digital Data	PUB	62507
	PUB	62310
High Capacity	PUB	62508
	PUB	62411

7.1.3 Service Configurations

There are two types of service configurations over which Special Access Services are provided: two-point service and multipoint service.

Issued: February 15, 2002

Issued By
Laurie A. Maffett

Effective: April 18, 2002 Vice President Regulatory and Government Affairs
Advice No.:

ACCESS SERVICES

CITIZENS TELECOMMUNICATIONS COMPANY OF NEVADA
180 S. Clinton Ave. Rochester, NY 14646
P.U.C.N. Tariff No. A-3

Original Sheet No. 7-7

SECTION NO. 7

7. Special Access Service (Cont'd)

7.1 General (Cont'd)

7.1.3 Service Configurations (Cont'd)

(A) Two-Point Service

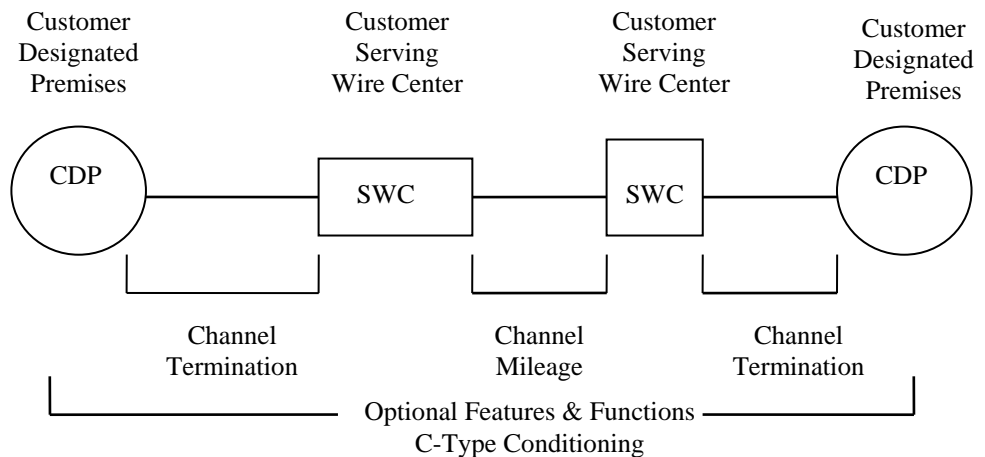
A two-point service connects two customer designated premises, either on a directly connected basis or through a hub where multiplexing functions are performed.

Applicable rate elements are:

- Channel Terminations
- Channel Mileage (as applicable)
- Optional Features and Functions (when applicable)

An Inside Wire Recovery Charge, as set forth in 7.2.1(A) following, may apply. In addition, a Special Access Surcharge, as set forth in 7.3 following and a Message Station Equipment Recovery Charge, as set forth in 7.4 following, may be applicable.

The following diagram depicts a two-point Voice Grade service connecting two customer designated premises (CDP) located 15 miles apart. The service is provided with C-Type conditioning.



Applicable rate elements are:

- Channel Terminations (applicable one (1) per CDP)
- Channel Mileage (1 section, Channel Mileage Facility per mile plus 2 Channel Mileage Terminations)
- C-Type Conditioning Optional Feature

Issued: February 15, 2002

Issued By
Laurie A. Maffett

Effective: April 18, 2002 Vice President Regulatory and Government Affairs
Advice No.:

ACCESS SERVICES

CITIZENS TELECOMMUNICATIONS COMPANY OF NEVADA
180 S. Clinton Ave. Rochester, NY 14646
P.U.C.N. Tariff No. A-3

Original Sheet No. 7-8

SECTION NO. 7

7. Special Access Service (Cont'd)

7.1 General (Cont'd)

7.1.3 Service Configurations (Cont'd)

(B) Multipoint Service

Multipoint service connects three or more customer designated premises through a Telephone Company hub. Only certain types of Special Access Service are provided as multipoint service. These are so designated in the descriptions for the appropriate channel.

The channel between hubs (i.e., bridging locations) on a multipoint service is a mid-link. There is no limitation on the number of mid-links available with a multipoint service. However, when more than three mid-links in tandem are provided, the quality of the overall service may be degraded.

Multipoint service utilizing a customized technical specifications package, as set forth in 7.1.2 preceding, will be provided when technically possible. If the Telephone Company determines that the requested characteristics for a multipoint service are not compatible, the customer will be advised and given the opportunity to change the order.

When ordering, the customer will specify the desired bridging hub(s).

Applicable Rate Elements are:

- Channel Terminations (one per customer designated premises)
- Channel Mileage (as applicable between the serving wire center for each customer designated premises and the hub and between hubs).
- Bridging
- Additional Optional Features and Functions (when applicable).

Inside Wire Recovery Charge, as set forth in 7.2.1(A) (1) following, may apply. In addition, the Special Access Surcharge, as set forth in 7.3 following, and a Message Station Equipment Recovery Charge, as set forth in 7.4 following, may be applicable.

Issued: February 15, 2002

Issued By
Laurie A. Maffett

Effective: April 18, 2002 Vice President Regulatory and Government Affairs
Advice No.:

ACCESS SERVICES

CITIZENS TELECOMMUNICATIONS COMPANY OF NEVADA
 180 S. Clinton Ave. Rochester, NY 14646
 P.U.C.N. Tariff No. A-3

Original Sheet No. 7-9

SECTION NO. 7

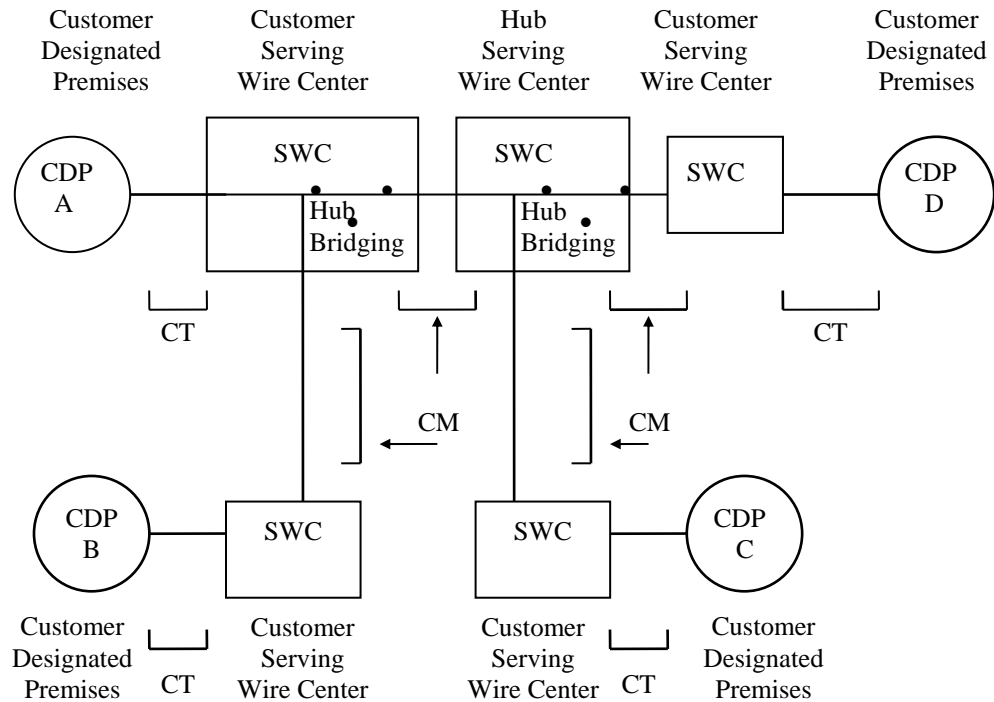
7. Special Access Service (Cont'd)

7.1 General (Cont'd)

7.1.3 Service Configurations (Cont'd)

(B) Multipoint Service (Cont'd)

Example: Voice Grade multipoint service connecting four customer designated premises (CDP) via two customer specified bridging hubs.



CT - Channel Termination
 CM - Channel Mileage

Applicable rate elements are:

- Channel Terminations (4 applicable)
- Channel Mileage (4 sections, Channel Mileage Facility per mile plus 2 Channel Mileage Terminations per section)
 - Bridging Optional Feature (6 applicable, i.e., each bridge port)

Issued: February 15, 2002

**Issued By
 Laurie A. Maffett**

**Effective: April 18, 2002 Vice President Regulatory and Government Affairs
 Advice No.:**

ACCESS SERVICES

CITIZENS TELECOMMUNICATIONS COMPANY OF NEVADA
180 S. Clinton Ave. Rochester, NY 14646
P.U.C.N. Tariff No. A-3

Original Sheet No. 7-10

SECTION NO. 7

7. Special Access Service (Cont'd)

7.1 General (Cont'd)

7.1.4 Alternate Use

Alternate Use occurs when a service is arranged by the Telephone Company so that the customer can select different types of transmission at different times. A customer may use a service in any privately beneficial manner. However, where technical or engineering changes are required to effectuate an alternate use, the Telephone Company will make such special arrangements available on an individual case basis.

The arrangement required to transfer the service from one operation to the other (i.e., the transfer relay and control leads) will be rated and provided on an individual case basis and filed in Section 12., Specialized Service or Arrangements. The customer will pay the stated tariff rates for the Access Service rate elements for the service ordered (i.e., Channel Terminations, Channel Mileage as applicable/ and Optional Features and Functions, if any).

7.1.5 Special Facilities Routing

A customer may request that the facilities used to provide Special Access Service be specially routed. The regulations, rates and charges for Special Facilities Routing (i.e., Avoidance, Diversity and Cable-Only) are set forth in 11. following.

7.1.6 Design Layout Report

At the request of the customer, the Telephone Company will provide to the customer the make-up of the facilities and services provided under this tariff as Special Access Service to aid the customer in designing its overall service. This information will be provided in the form of a Design Layout Report. The Design Layout Report will be provided to the customer at no charge, and will be reissued or updated whenever these facilities are materially changed.

7.1.7 Acceptance Testing

At no additional charge, the Telephone Company will, at the customer's request, cooperatively test at the time of installation, the following parameters:

Issued: February 15, 2002

Issued By
Laurie A. Maffett

Effective: April 18, 2002 Vice President Regulatory and Government Affairs
Advice No.:

ACCESS SERVICES

CITIZENS TELECOMMUNICATIONS COMPANY OF NEVADA
180 S. Clinton Ave. Rochester, NY 14646
P.U.C.N. Tariff No. A-3

Original Sheet No. 7-11

SECTION NO. 7

7. Special Access Service (Cont'd)

7.1 General (Cont'd)

7.1.7 Acceptance Testing (Cont'd)

- (A) For Voice Grade analog services, acceptance test will include tests for loss, 3-tone slope, DC continuity, operational signaling, C-notched noise, and C-message noise when these parameters are applicable and specified in the order for service. Additionally, for Voice Grade services, a balance (improved loss) test will be made if the customer has ordered the improved loss optional feature.
- (B) For other analog services (i.e., Metallic, Telegraph, Program Audio, and Video) and for digital services (i.e., Digital Data and High Capacity) service, acceptance tests will include tests for the parameters applicable to the service as specified by the customer in the order for service.

In addition to the above tests, Additional Cooperative Acceptance Testing for Voice Grade service to test other parameters, as described in 13.3.5(B) following, is available at the customer's request. All test results will be made available to the customer upon request.

7.1.8 Ordering Options and Conditions

Special Access Service is ordered under the Access Order provisions set forth in 5. preceding. Also included in that section are other charges which may be associated with ordering Special Access Service (e.g., Service Date Change Charges, Cancellation Charges, etc.).

Issued: February 15, 2002

Issued By
Laurie A. Maffett

Effective: April 18, 2002 Vice President Regulatory and Government Affairs
Advice No.:

ACCESS SERVICES

CITIZENS TELECOMMUNICATIONS COMPANY OF NEVADA
d/b/a Frontier Communications of Nevada
180 S. Clinton Ave. Rochester, NY 14646
P.U.C.N. Tariff No. A-3

1st Revised Sheet No. 7-12
Cancels Original Sheet No. 7-12

SECTION NO. 7

7. Special Access Service (Cont'd)

7.2 Rate Regulations

This section contains the specific regulations governing the rates and charges that apply for Special Access.

7.2.1 Rate Categories

There are three basic rate categories which apply to Special Access Service:

- Channel Terminations (described in 7.2.1(A) following)
- Channel Mileage (described in 7.2.1(B) following)
- Optional Features and Functions (described in 7.2.1(C) following)

(A) Channel Termination

The Channel Termination rate category provides for the communications path between a customer designated premises and the serving wire center of that premises. Included as part of the Channel Termination is a standard channel interface arrangement which defines the technical characteristics associated with the type of facilities to which the access service is to be connected at the Point of Termination (POT) and the type of signaling capability, if any. The signaling capability itself is provided as an optional feature as set forth in (C) following. One Channel Termination charge applies per customer designated premises at which the channel is terminated. This charge will apply even if the customer designated premises and the serving wire center are collocated in a Telephone Company building.

For the avoidance of any doubt when a customer orders Special Access Service to a Telephone Company Switch, that switch is a Customer Designated Premise (CDP) where the Special Access terminates.

(N)
I
(N)

(1) Inside Wire Recovery Charge

The Inside Wire Recovery Charge is a charge to recover that portion of the inside wire cost assigned to Special Access Service.

Issued: January 14, 2015

Issued By
Jack Phillips

Effective: March 12, 2015

Director Government and External Affairs

Advice No.: NV-15-01

ACCESS SERVICES

CITIZENS TELECOMMUNICATIONS COMPANY OF NEVADA
180 S. Clinton Ave. Rochester, NY 14646
P.U.C.N. Tariff No. A-3

Original Sheet No. 7-13

SECTION NO. 7

7. Special Access Service (Cont'd)

7.2 Rate Regulations (Cont'd)

7.2.1 Rate Categories (Cont'd)

(A) Channel Termination (Cont'd)

(1) Inside Wire Recovery Charge (Cont'd)

The Inside Wire Recovery Charge will be assessed to customers in conjunction with special access lines that use inside wiring provided by the Telephone Company.

Inside Wire is as set forth in Part 68 of the Federal Communications Commission Rules and Regulations. Unless all such inside wire is provided by the customer for Metallic, Telegraph Grade, Voice Grade, Program Audio, or Digital Data Special Access Service, an Inside Wire Recovery Charge will apply on a per Channel Termination basis for each customer designated premises.

Issued: February 15, 2002

Issued By
Laurie A. Maffett

Effective: April 18, 2002 Vice President Regulatory and Government Affairs
Advice No.:

ACCESS SERVICES

CITIZENS TELECOMMUNICATIONS COMPANY OF NEVADA
180 S. Clinton Ave. Rochester, NY 14646
P.U.C.N. Tariff No. A-3

Original Sheet No. 7-14

SECTION NO. 7

7. Special Access Service (Cont'd)

7.2 Rate Regulations (Cont'd)

7.2.1 Rate Categories (Cont'd)

(B) Channel Mileage

The Channel Mileage rate category provides for the end office equipment and the transmission facilities between the serving wire centers associated with two customer designated premises, between a serving wire center associated with a customer designated premises and a Telephone Company hub or between two Telephone Company hubs. Channel Mileage rates are made up of the Channel Mileage Facility rate and the Channel Mileage Termination rate.

(1) Channel Mileage Facility

The Channel Mileage Facility rate recovers the cost for the transmission path which extends between the Telephone Company serving wire centers and/or hub(s) and includes primarily outside plant used to provide the facility.

(2) Channel Mileage Termination

The Channel Mileage Termination rate recovers the cost for end office equipment associated with terminating the facility (i.e., basic circuit equipment and terminations at serving wire centers and hubs). Channel Mileage Termination rate will apply at the serving wire center(s) for each customer designated premises and Telephone Company hub where the channel is terminated. If the Channel Mileage is between Telephone Company bridging hubs, the Channel Mileage Termination rate will apply per Telephone Company designated hub. When the Channel Mileage is zero (i.e., collocated serving wire centers), neither the Channel Mileage Facility nor the Channel Mileage Termination rate will apply.

Issued: February 15, 2002

Issued By
Laurie A. Maffett

Effective: April 18, 2002 Vice President Regulatory and Government Affairs
Advice No.:

ACCESS SERVICES

CITIZENS TELECOMMUNICATIONS COMPANY OF NEVADA
180 S. Clinton Ave. Rochester, NY 14646
P.U.C.N. Tariff No. A-3

Original Sheet No. 7-15

SECTION NO. 7

7. Special Access Service (Cont'd)

7.2 Rate Regulations (Cont'd)

7.2.1 Rate Categories (Cont'd)

(C) Optional Features and Functions

The Optional Features and Functions rate category provides for optional features and functions which may be added to a Special Access Service to improve its quality or utility to meet specific communications requirements. These are not necessarily identifiable with specific equipment, but rather represent the end result in terms of performance characteristics which may be obtained. These characteristics may be obtained by using various combinations of equipment. Although the equipment necessary to perform a specified function may be installed at various locations along the path of the service, they will be charged for as a single rate element.

Examples of Optional Features and Functions that are available include, but are not limited to, the following:

- Signaling Capability
- Hubbing Functions
- Conditioning
- Transfer Arrangements

Issued: February 15, 2002

Issued By
Laurie A. Maffett

Effective: April 18, 2002 Vice President Regulatory and Government Affairs
Advice No.:

ACCESS SERVICES

CITIZENS TELECOMMUNICATIONS COMPANY OF NEVADA
180 S. Clinton Ave. Rochester, NY 14646
P.U.C.N. Tariff No. A-3

Original Sheet No. 7-16

SECTION NO. 7

7. Special Access Service (Cont'd)

7.2 Rate Regulations (Cont'd)

7.2.1 Rate Categories (Cont'd)

(C) Optional Features and Functions (Cont'd)

A hub is a Telephone Company designated serving wire center at which bridging or multiplexing functions are performed. The bridging functions performed are to connect three or more customer designated premises in a multipoint arrangement. The multiplexing functions are to channelize analog or digital facilities to individual services requiring a lower capacity or bandwidth.

Descriptions for each of the available Optional Features and Functions are set forth in 7.5 through 7.12 following.

7.2.2. Reserved for future use.

Issued: February 15, 2002

Issued By
Laurie A. Maffett

Effective: April 18, 2002 Vice President Regulatory and Government Affairs
Advice No.:

ACCESS SERVICES

CITIZENS TELECOMMUNICATIONS COMPANY OF NEVADA
180 S. Clinton Ave. Rochester, NY 14646
P.U.C.N. Tariff No. A-3

Original Sheet No. 7-17

SECTION NO. 7

7. Special Access Service (Cont'd)

7.2 Rate Regulations (Cont'd)

7.2.3 Types of Rates and Charges

There are three types of rates and charges. These are monthly rates, daily rates and nonrecurring charges. The rates and charges are described as follows:

(A) Monthly Rates

Monthly rates are recurring rates that apply each month or fraction thereof that a Special Access Service is provided. For billing purposes, each month is considered to have 30 days.

(B) Daily Rates

Daily rates are recurring rates that apply to each 24 hour period or fraction thereof that a Program Audio or Video Special Access Service is provided for part-time use. For purposes of applying daily rates, the 24 hour period is not limited to a calendar day.

Part-time Video or Program Audio Service provided within a consecutive 30 day period will be charged the daily rate, not

Issued: February 15, 2002

Issued By
Laurie A. Maffett

Effective: April 18, 2002 **Vice President Regulatory and Government Affairs**
Advice No.:

ACCESS SERVICES

CITIZENS TELECOMMUNICATIONS COMPANY OF NEVADA
180 S. Clinton Ave. Rochester, NY 14646
P.U.C.N. Tariff No. A-3

Original Sheet No. 7-18

SECTION NO. 7

7. Special Access Service (Cont'd)

7.2 Rate Regulations (Cont'd)

7.2.3 Types of Rates and Charges (Cont'd)

(B) Daily Rates (Cont'd)

to exceed an amount equal to the monthly rate. For each subsequent day or part day, a charge equal to 1/30th of the monthly rate shall apply.

(C) Nonrecurring Charges

Nonrecurring charges are one-time charges that apply for specific work activity (i.e., installation or change to an existing service). The types of nonrecurring charges that apply for Special Access Service are: installation of service, installation of optional features and functions, and service rearrangements.

(1) Installation of Service

Nonrecurring charges apply to each service installed. The nonrecurring charges for the installation of service are set forth each channel type as a nonrecurring charge for the Channel Termination.

(2) Installation of Optional Features and Functions

Nonrecurring charges apply for the installation of some of the optional features and functions available with Special Access Service. The charge applies whether the feature or function is installed coincident with the initial installation of service or at any time subsequent to the installation of the service.

The optional features for which nonrecurring charges apply are:

- Voice Grade Data Capability
- Voice Grade Telephoto Capability
- Program Audio Gain Conditioning
- Program Audio Stereo

Issued: February 15, 2002

Issued By
Laurie A. Maffett

Effective: April 18, 2002 Vice President Regulatory and Government Affairs
Advice No.:

ACCESS SERVICES

CITIZENS TELECOMMUNICATIONS COMPANY OF NEVADA
180 S. Clinton Ave. Rochester, NY 14646
P.U.C.N. Tariff No. A-3

Original Sheet No. 7-19

SECTION NO. 7

7. Special Access Service (Cont'd)

7.2 Rate Regulations (Cont'd)

7.2.3 Types of Rates and Charges (Cont'd)

(C) Nonrecurring Charges (Cont'd)

(3) Service Rearrangements

Service rearrangements are changes to existing (installed) services which may be administrative only in nature, as set forth following, or that involve actual physical change to the service. Changes to pending orders are set forth in 5.2.2 preceding.

Changes in the physical location of the point of termination or customer designated premises are moves as set forth in 7.2.4 following.

Changes in the type of Service or Channel Termination which result in a change of the minimum period requirement will be treated as a discontinuance of the service and an installation of a new service.

Changes in ownership or transfer of responsibility from one customer to another will be treated as a discontinuance of the service and an installation of a new service.

Administrative changes will be made without charge(s) to the customer. Administrative changes are as follows:

- Change of customer name when the change of name is not the result of a transfer or change of ownership or responsibility,
- Change of customer or customer's end user premises address when the change of address is not a result of a physical relocation of equipment,
- Change in billing data (name, address, or contact name or telephone number),
- Change of agency authorization,
- Change of customer circuit identification,

Issued: February 15, 2002

Issued By
Laurie A. Maffett

Effective: April 18, 2002 Vice President Regulatory and Government Affairs
Advice No.:

ACCESS SERVICES

CITIZENS TELECOMMUNICATIONS COMPANY OF NEVADA
180 S. Clinton Ave. Rochester, NY 14646
P.U.C.N. Tariff No. A-3

Original Sheet No. 7-20

SECTION NO. 7

7. Special Access Service (Cont'd)

7.2 Rate Regulations (Cont'd)

7.2.3 Types of Rates and Charges (Cont'd)

(C) Nonrecurring Charges (Cont'd)

(3) Service Rearrangements (Cont'd)

- Change of billing account number,
- Change of customer test line number,
- Change of customer or customer's end user contact name or telephone number, and
- Change of jurisdiction.

All other service rearrangements will be charged for as follows:

- If the change involves the addition of other customer designated premises to an existing multipoint service, the nonrecurring charge for the channel termination rate element will apply. The charge(s) will apply only for the location(s) that is being added.
- If the change involves the addition of an optional feature or function which has a separate nonrecurring charge, that nonrecurring charge will apply.
- If the change involves changing the type of signaling on a Voice Grade service, a charge equal to the Voice Grade channel termination rate element nonrecurring charge will apply. The charge will apply per service termination affected.
- For all other changes, including the addition of optional feature or function without a separate nonrecurring charge, a charge equal to a channel termination rate element nonrecurring charge will apply. Only one such charge will apply per service, per change.

Issued: February 15, 2002

Issued By
Laurie A. Maffett

Effective: April 18, 2002 Vice President Regulatory and Government Affairs
Advice No.:

ACCESS SERVICES

CITIZENS TELECOMMUNICATIONS COMPANY OF NEVADA
180 S. Clinton Ave. Rochester, NY 14646
P.U.C.N. Tariff No. A-3

Original Sheet No. 7-21

SECTION NO. 7

7. Special Access Service (Cont'd)

7.2 Rate Regulations (Cont'd)

7.2.4 Moves

A move involves a change in the physical location of one of the following:

- The Point of Termination at the customer's premises
- The customer's premises

The charges for the move are dependent on whether the move is to a new location within the same building or to a different building.

(A) Moves Within the Same Building

When the move is to a new location within the same building, the charge for the move will be an amount equal to one half of the nonrecurring (i.e., installation) charge for the service termination affected. There will be no change in the minimum period requirements.

(B) Moves To a Different Building

Moves to a different building will be treated as a discontinuance and start of service and all associated nonrecurring charges will apply. New minimum period requirements will be established for the new services. The customer will also remain responsible for satisfying all outstanding minimum period charges for the discontinued service.

7.2.5 Minimum Periods

The minimum service period for all services except part-time Video and Program Audio services is one month. The minimum service period for part-time Video and Program Audio services is one day (i.e., a continuous 24-hour period, not limited to a calendar day).

Issued: February 15, 2002

Issued By
Laurie A. Maffett

Effective: April 18, 2002 Vice President Regulatory and Government Affairs
Advice No.:

ACCESS SERVICES

CITIZENS TELECOMMUNICATIONS COMPANY OF NEVADA
180 S. Clinton Ave. Rochester, NY 14646
P.U.C.N. Tariff No. A-3

Original Sheet No. 7-22

SECTION NO. 7

7. Special Access Service (Cont'd)

7.2 Rate Regulations (Cont'd)

7.2.6 Mileage Measurement

The mileage to be used to determine the monthly rate for the Channel Mileage is calculated on the airline distance between the locations involved, i.e., the serving wire centers associated with two customer designated premises, a serving wire center associated with a customer designated premises and a Telephone Company hub, or two Telephone Company hubs. The serving wire center associated with a customer designated premises is the serving wire center from which this customer designated premises would normally obtain dial tone.

Mileage charges are shown with each channel type. To determine the rate to be billed, first compute the mileage using the V&H coordinates method then multiply the resulting number of miles times the Channel Mileage Facility per mile rate, and add the Channel Mileage Termination Rate for each termination. When the calculation results in a fraction of a mile, always round up to the next whole mile before determining the mileage and applying the rates.

When hubs are involved, mileage is computed and rates applied separately for each section of the Channel Mileage, i.e., customer designated premises serving wire center to hub, hub to hub and/or hub to customer designated premises serving wire center. However, when any service is routed through a hub for purposes other than customer specified bridging or multiplexing (e.g., the Telephone Company chooses to so route for test access purposes), rates will be applied only to the distance calculated between the serving wire centers associated with the customer designated premises.

Issued: February 15, 2002

Issued By
Laurie A. Maffett

Effective: April 18, 2002 Vice President Regulatory and Government Affairs
Advice No.:

ACCESS SERVICES

CITIZENS TELECOMMUNICATIONS COMPANY OF NEVADA
180 S. Clinton Ave. Rochester, NY 14646
P.U.C.N. Tariff No. A-3

Original Sheet No. 7-23

SECTION NO. 7

7. Special Access Service (Cont'd)

7.2 Rate Regulations (Cont'd)

7.2.7 Facility Hubs

A customer has the option of ordering Voice Grade service or High Capacity services (i.e., DS1, DS1C, DS2, DS3 or DS4) to a facility hub for channelizing to individual services requiring lower capacity facilities (e.g., Telegraph, Voice, Program Audio, etc.).

Different locations may be designated as hubs for different facility capacities, e.g., multiplexing from digital to digital may occur at one location while multiplexing from digital to analog may occur at a different location. When placing an Access Order the customer will specify the desired hub. The NATIONAL EXCHANGE CARRIER ASSOCIATION TARIFF F.C.C. NO. 4 identifies serving wire centers, hub locations and the type of multiplexing functions available.

Some of the types of multiplexing available include the following:

- from higher to lower bit rate
- from higher to lower bandwidth
- from digital to voice frequency channels

Point to point services may be provided on channels of these services to a hub. The transmission performance for the point to point service provided between customer designated premises will be that of the lower capacity or bit rate. For example, when a 1.544 Mbps channel is multiplexed to voice frequency channels, the transmission performance of the channelized services will be Voice Grade, not High Capacity.

Issued: February 15, 2002

Issued By
Laurie A. Maffett

Effective: April 18, 2002 Vice President Regulatory and Government Affairs
Advice No.:

ACCESS SERVICES

CITIZENS TELECOMMUNICATIONS COMPANY OF NEVADA
180 S. Clinton Ave. Rochester, NY 14646
P.U.C.N. Tariff No. A-3

Original Sheet No. 7-24

SECTION NO. 7

7. Special Access Service (Cont'd)

7.2 Rate Regulations (Cont'd)

7.2.7 Facility Hubs (Cont'd)

The Telephone Company will commence billing the monthly rate for the service to the hub on the date specified by the customer on the Access Order. Individual channels utilizing these services may be installed coincident with the installation of the service to the hub or may be ordered and/or installed at a later date, at the option of the customer. The customer will be billed for a Voice Grade or a High Capacity Channel Termination, Channel Mileage (when applicable), and the multiplexer at the time the service is installed. Individual service rates (by service type) will apply for a Channel Termination and additional Channel Mileage (as required) for each channelized service. These will be billed to the customer as each individual service is installed.

Cascading multiplexing occurs when a High Capacity service is de-multiplexed to provide channels with a lesser capacity and one of the lesser capacity channels is further de-multiplexed. For example, a 6.312 Mbps High Capacity service is de-multiplexed to four DS1 channels and then one of the DS1 channels is further de-multiplexed to 24 individual Voice Grade channels.

When cascading multiplexing is performed, whether in the same or a different hub, a charge for the additional multiplexing unit also applies. When cascading multiplexing is performed at different hubbing locations, Channel Mileage charges also apply between the hubs.

The Telephone Company will designate hubs for Video and Program Audio Services. Full-time or part-time service may be provided between customer designated premises or between a customer designated premises and a hub and billed accordingly at the monthly rates set forth in 7.8 and 7.9 following for a Channel Termination, Channel Mileage and Optional Features and Functions, as applicable. When the service is ordered to a hub, the customer may order a full-time or part-time Video and Program Audio services as needed between that hub and additional customer designated premises. The rate elements required to provide the part-time service (i.e., Channel Termination, Channel Mileage and Optional Features and Functions, as applicable) will be billed at daily rates for the duration of the service requested.

Issued: February 15, 2002

Issued By

Laurie A. Maffett

Effective: April 18, 2002 Vice President Regulatory and Government Affairs
Advice No.:

ACCESS SERVICES

CITIZENS TELECOMMUNICATIONS COMPANY OF NEVADA
d/b/a Frontier Communications of Nevada
180 S. Clinton Ave. Rochester, NY 14646
P.U.C.N. Tariff No. A-3

1st Revised Sheet No. 7-25
Cancels Original Sheet No. 7-25

SECTION NO. 7

7. Special Access Service (Cont'd)

7.2 Rate Regulations (Cont'd)

7.2.8 Shared Use Analog and Digital High Capacity Services

Shared use refers to a rate applications applicable only when the customer orders High Capacity facilities between a customer designated premises and a Telephone Company hub where the Telephone Company performs multiplexing/demultiplexing functions and the same customer then orders the derived channels as Special and Switched Access Services.

The High Capacity facility will be ordered, provided and rated as Special Access Service (i.e., Channel Termination, Channel Mileage, as appropriate, and Multiplexing Arrangement). The nonrecurring charge that applies when the shared use facility is installed will be the nonrecurring charge associated with the appropriate Special Access High Capacity Channel Termination. Rating as Special Access will continue until such time as the customer chooses to use a portion of the available capacity for Switched Access Service. Individual service (i.e., Switched or Special Access) nonrecurring charges will not apply to the individual channels of the shared use facility.

When Special Access Service is provided utilizing a channel of the shared use facility to a hub, High Capacity rates and charges will apply for the facility to the hub, as set forth preceding, and individual service rates and charges will apply from the hub to the customer designated premises. The rates and charges that will apply to the portion from the hub to the customer designated premises will be dependent on the specific type of Special Access Service that is provided (e.g., Voice Grade, Telegraph, etc.). The applicable rates and charges will include a Channel Termination and Channel Mileage, if applicable. Rates and charges for optional features and functions associated with the service, if any, will apply for the appropriate channel type.

As each individual channel is activated for Switched Access Service, the High Capacity Special Access Channel Termination and Channel Mileage rates will be reduced accordingly (e.g., 1/24th for a DS1 service, etc.). Switched Access Service rates and charges, as set forth in Section 6 preceding, will apply for each channel of the shared use facility that is used to provide a Switched Access Service.

(T)

Issued: May 7, 2012

Effective: July 3, 2012
Advice No.: NV-12-03

Issued By
Kenneth Mason
Vice President Government & Regulatory Affairs

ACCESS SERVICES

CITIZENS TELECOMMUNICATIONS COMPANY OF NEVADA
180 S. Clinton Ave. Rochester, NY 14646
P.U.C.N. Tariff No. A-3

Original Sheet No. 7-26

SECTION NO. 7

7. Special Access Service (Cont'd)

7.2 Rate Regulations (Cont'd)

7.2.8 Shared Use Analog and Digital High Capacity Services (Cont'd)

The customer must place an order for each individual Switched or Special Access Service utilizing the Shared Use Facilities and specify the channel assignment for each such service.

7.3 Surcharge for Special Access Service

7.3.1 General

- (A) Special Access Services provided under this tariff may be subject to the monthly Special Access Surcharge.

7.3.2 Application

- (A) The Special Access Surcharge will apply to each interstate Special Access Service that terminates on an end user's PBX or other device where, through a function of the device, the Special Access Service interconnects to the local exchange network. Interconnection functions include but are not limited to wiring and software functions, bridging, switching or patching of calls or stations. The Surcharge will apply irrespective of whether the interconnection function is performed in equipment located at the customer's premises or in a Centrex CO-type switch.
- (B) Special Access Service will be exempted from the Surcharge by the Telephone Company upon receipt of the customer's written certification for the following Special Access Service terminations:
- (1) an open-end termination in a Telephone Company switch of an FX line, including CCSA and CCSA-equivalent ONALs; or
 - (2) an analog channel termination that is used for radio or television program transmission; or
 - (3) a termination used for TELEX service; or

Issued: February 15, 2002

Issued By
Laurie A. Maffett

Effective: April 18, 2002 Vice President Regulatory and Government Affairs
Advice No.:

ACCESS SERVICES

CITIZENS TELECOMMUNICATIONS COMPANY OF NEVADA
180 S. Clinton Ave. Rochester, NY 14646
P.U.C.N. Tariff No. A-3

Original Sheet No. 7-27

SECTION NO. 7

7. Special Access Service (Cont'd)

7.3 Surcharge for Special Access Service (Cont'd)

7.3.2 Application (Cont'd)

(B) (Cont'd)

- (4) a termination that by the nature of its operating characteristics could not make use of Telephone Company common lines such as, terminations which are restricted through hardware or software; or
- (5) a termination that interconnects either directly or indirectly to the local exchange network where the usage is subject to Carrier Common Line charges such as, where the Special Access Service accesses only FGA and no local exchange lines, or Special Access Service between customer points of termination, or Special Access Service connecting CCSA or CCSA-type equipment (inter-machine trunks); or
- (6) a termination that the customer certifies to the Telephone Company is not connected to a PBX or other device which interconnects the Special Access Service to a local exchange subscriber line.

7.3.3 Exemption of Special Access Service

- (A) Special Access Services which are terminated as set forth in 7.3.2(B) preceding will be exempted from the Special Access Surcharge if the customer provides the Telephone Company with written exemption certification. The certification may be provided to the Telephone Company (1) at the time the Special Access Service is ordered or installed; (2) at such time as the service is reterminated to a device which does not interconnect to the service to local exchange facilities, or (3) at such time as the service becomes associated with a Switched Access Service that is subject to Carrier Common Line Charges.

Issued: February 15, 2002

Issued By
Laurie A. Maffett

Effective: April 18, 2002 Vice President Regulatory and Government Affairs
Advice No.:

ACCESS SERVICES

CITIZENS TELECOMMUNICATIONS COMPANY OF NEVADA
180 S. Clinton Ave. Rochester, NY 14646
P.U.C.N. Tariff No. A-3

Original Sheet No. 7-28

SECTION NO. 7

7. Special Access Service (Cont'd)

7.3 Surcharge for Special Access Service (Cont'd)

7.3.3 Exemption of Special Access Services (Cont'd)

- (B) The exemption certification is to be provided by the customer ordering the service. The certification must be signed by the customer or authorized representative and include the category of exemption, as set forth in 7.3.2(B) preceding, for each termination, and the date which the exemption is effective.
- (C) The customer shall also notify the Telephone Company when an exempted Special Access Service is changed or reterminated such that the exemption is no longer applicable.
- (D) The Telephone Company will work cooperatively with the customer to resolve any questions regarding the exemption certification. In addition, the Telephone Company may withhold exemption of the service until the questions are resolved.

7.3.4 Rate Regulations

- (A) The Surcharge will apply as set forth in 7.3.2(A) preceding, except that a surcharge will be assessed on a per voice grade equivalent basis for Special Access Services derived from High Capacity Special Access Services as shown in the following example:

<u>Special Access Service</u>	<u>Voice Grade Equivalent</u>	<u>Monthly Surcharge</u>	<u>Charge</u>
DS1	24	x \$.00	= \$.00

In the case of multipoint Special Access Services, one Special Access Surcharge will apply for each termination of a Special Access Channel at an end user's premises.

Issued: February 15, 2002

Issued By
Laurie A. Maffett

Effective: April 18, 2002 Vice President Regulatory and Government Affairs
Advice No.:

ACCESS SERVICES

CITIZENS TELECOMMUNICATIONS COMPANY OF NEVADA
180 S. Clinton Ave. Rochester, NY 14646
P.U.C.N. Tariff No. A-3

Original Sheet No. 7-29

SECTION NO. 7

7. Special Access Service (Cont'd)

7.3 Surcharge for Special Access Service (Cont'd)

7.3.4 Rate Regulations (Cont'd)

- (B) The Telephone Company will bill the appropriate Special Access Surcharge to the ordering customer for each interstate Special Access Service installed unless exemption certification is provided as set forth in 7.3.3 preceding.
- (C) If a written certification is not received at the time the Special Access Service is obtained, the Surcharge will be applied. Exempt status will become effective on the certification date indicated by the customer, subject to the regulations set forth in (D) following.
- (D) Crediting the Surcharge

The Telephone Company will cease billing the Special Access Surcharge when certification, as set forth in 7.3.3 preceding, is received. If the status of the Special Access Service was changed prior to receipt of the exemption certification, the Telephone Company will credit the customer's account, not to exceed ninety (90) days, based on the effective date of the change as specified by the customer in the letter of certification.

7.3.5 Rate

	<u>Monthly Rate</u>	
	<u>IntraLATA</u>	<u>InterLATA</u>
Surcharge for Special Access Service		
-Per Voice Grade Equivalent	\$.00	\$.00

Issued: February 15, 2002

Issued By
Laurie A. Maffett

Effective: April 18, 2002 Vice President Regulatory and Government Affairs
Advice No.:

ACCESS SERVICES

CITIZENS TELECOMMUNICATIONS COMPANY OF NEVADA
180 S. Clinton Ave. Rochester, NY 14646
P.U.C.N. Tariff No. A-3

Original Sheet No. 7-30

SECTION NO. 7

7. Special Access Service (Cont'd)

7.4 Message Station Equipment Recovery Charge

7.4.1 General

(A) The Message Station Equipment Recovery Charge is a charge to recover that portion of message station equipment that is assigned to Special Access Service. This charge is assessed only to those customers to which the Special Access Surcharge, as set forth in 7.3 preceding, applies.

7.4.2 Rate

	Monthly Rate	
	<u>IntraLATA</u>	<u>InterLATA</u>
Message Station Equipment Recovery Charge - Per Special Access Surcharge Assessed	\$.00	\$.00

Issued: February 15, 2002

Issued By
Laurie A. Maffett

Effective: April 18, 2002 Vice President Regulatory and Government Affairs
Advice No.:

ACCESS SERVICES

CITIZENS TELECOMMUNICATIONS COMPANY OF NEVADA
180 S. Clinton Ave. Rochester, NY 14646
P.U.C.N. Tariff No. A-3

Original Sheet No. 7-31

SECTION NO. 7

7. Special Access Service (Cont'd)

7.5 Metallic Service

7.5.1 Basic Channel Description

A Metallic channel is an unconditioned two-wire channel arranged to transmit direct current and capable of transmitting low speed varying signals at rates up to 30 baud. This channel is provided by metallic or equivalent facilities. Metallic channels are provided between customer designated premises or between a customer designated premises and a Telephone Company hub where bridging functions are performed. Interoffice metallic facilities will be limited in length to a total of five miles per channel.

7.5.2 Technical Specifications Packages

<u>Parameter</u>	<u>Package MT-</u>			
	C*	1	2	3
DC Resistance Between Conductors	X	X	X	
Loop Resistance	X			X
Shunt Capacitance	X			X

The technical specifications are delineated in Technical Reference PUB 62502.

* All parameters are available within the ranges selected by the customer where technically feasible.

ACCESS SERVICES

CITIZENS TELECOMMUNICATIONS COMPANY OF NEVADA
180 S. Clinton Ave. Rochester, NY 14646
P.U.C.N. Tariff No. A-3

Original Sheet No. 7-32

SECTION NO. 7

7. Special Access Service (Cont'd)

7.5 Metallic Service (Cont'd)

7.5.3 Channel Interfaces

Compatible channel interfaces are set forth in 15.3 following.

7.5.4 Optional Features and Functions

(A) Central Office Bridging Capability

- (1) Three Premises Bridging - Provision of tip-to-tip and ring- to-ring connection in a central office of a metallic pair to a third customer designated premises.
- (2) Series Bridging of up to 26 customer designated premises.

The following table shows the technical specifications packages with which the optional features and functions are available.

	Available with Technical Specifications Package MT-			
	C	1	2	3
Three Premises Bridging	X	X		X
Series Bridging	X		X	

Issued: February 15, 2002

Issued By
Laurie A. Maffett

Effective: April 18, 2002 Vice President Regulatory and Government Affairs
Advice No.:

ACCESS SERVICES

CITIZENS TELECOMMUNICATIONS COMPANY OF NEVADA
180 S. Clinton Ave. Rochester, NY 14646
P.U.C.N. Tariff No. A-3

Original Sheet No. 7-33

SECTION NO. 7

7. Special Access Service (Cont'd)

7.5 Metallic Service (Cont'd)

7.5.5 Rates and Charges, ELKO DIVISION

	<u>Monthly Rate</u>	<u>Nonrecurring Charge</u>
(A) <u>Channel Termination</u>		
- Per Termination		
<u>IntraLATA</u>	\$27.70	\$138.57
<u>InterLATA</u>	77.16	386.07
(1) Inside Wire Recovery Charge		
- Per Channel Termination where inside wiring is provided by the Telephone Company in conjunction with special access lines.		
		<u>Monthly Rate</u>
	<u>IntraLATA</u>	<u>InterLATA</u>
	\$ 9.14	\$25.47
(B) <u>Channel Mileage</u>		
(1) <u>Channel Mileage Facility</u>		
- Per Mile	\$10.04	\$29.96
(2) <u>Channel Mileage Termination</u>		
- Per Termination	None	None
(C) <u>Optional Features and Functions</u>		
(1) <u>Bridging</u>		
(a) <u>Three Premises Bridging</u>		
- Per Port	\$ 6.98	\$19.46
(b) <u>Series Bridging</u>		
- Per Port	\$ 6.98	\$19.46

Issued: February 15, 2002

Issued By

Laurie A. Maffett

Effective: April 18, 2002

Vice President Regulatory and Government Affairs

Advice No.:

ACCESS SERVICES

CITIZENS TELECOMMUNICATIONS COMPANY OF NEVADA
180 S. Clinton Ave. Rochester, NY 14646
P.U.C.N. Tariff No. A-3

Original Sheet No. 7-34

SECTION NO. 7

7. Special Access Service (Cont'd)

7.5 Metallic Service (Cont'd)

7.5.5 Rates and Charge , TONOPAH DIVISION

		<u>Monthly Rate</u>	<u>Nonrecurring Charge</u>
(A)	<u>Channel Termination</u>		
	- Per Termination		
	<u>IntraLATA</u>	\$27.45	\$137.36
	<u>InterLATA</u>	32.60	163.11
(1)	<u>Inside Wire Recovery Charge</u>	<u>Monthly Rate</u>	
	- Per Channel Termination		
	where inside wiring is	<u>IntraLATA</u>	<u>InterLATA</u>
	provided by the Telephone		
	Company in conjunction		
	with special access lines.	\$ 9.06	\$10.76
(B)	<u>Channel Mileage</u>		
(1)	<u>Channel Mileage Facility</u>		
	- Per Mile	\$9.95	\$11.81
(2)	<u>Channel Mileage Termination</u>		
	- Per Termination	None	None
(C)	<u>Optional Features and Functions</u>		
(1)	<u>Bridging</u>		
(a)	<u>Three Premises Bridging</u>		
	- Per Port	\$ 6.92	\$8.22
(b)	<u>Series Bridging</u>		
	- Per Port	\$ 6.92	\$8.22

Issued: February 15, 2002

**Issued By
Laurie A. Maffett**

Effective: April 18, 2002 **Vice President Regulatory and Government Affairs**
Advice No.:

ACCESS SERVICES

CITIZENS TELECOMMUNICATIONS COMPANY OF NEVADA
180 S. Clinton Ave. Rochester, NY 14646
P.U.C.N. Tariff No. A-3

Original Sheet No. 7-35

SECTION NO. 7

7. Special Access Service (Cont'd)

7.6 Telegraph Grade Service

7.6.1 Basic Channel Description

A Telegraph Grade channel is an unconditioned channel capable of transmitting binary signals at rates of 0-75 baud or 0-150 baud. This channel is furnished for half-duplex or duplex operation. Telegraph Grade channels are provided between customer designated premises or between a customer designated premises and a Telephone Company hub.

7.6.2 Technical Specifications Packages

<u>Parameter</u>	<u>Package TG-</u>		
	<u>C*</u>	<u>1</u>	<u>2</u>
Telegraph Distortion	X	X	X

The technical specifications are delineated in Technical Reference PUB 62502.

7.6.3 Channel Interfaces

Compatible channel interfaces are set forth in 15.3 following.

7.6.4 Optional Features and Functions

(A) Telegraph Bridging (two-wire and four-wire)

The following table shows the technical specifications packages with which the optional features and functions are available.

	<u>Available with Technical Specifications Package TG-</u>		
	<u>C</u>	<u>1</u>	<u>2</u>
Telegraph Bridging	X	X	X

* All parameters are available within ranges selected by the customer where technically feasible.

ACCESS SERVICES

CITIZENS TELECOMMUNICATIONS COMPANY OF NEVADA
180 S. Clinton Ave. Rochester, NY 14646
P.U.C.N. Tariff No. A-3

Original Sheet No. 7-36

SECTION NO. 7

7. Special Access Service (Cont'd)

7.6 Telegraph Grade Service (Cont'd)

7.6.5 Rates and Charges, ELKO DIVISION

		<u>Rate</u>	<u>Monthly Nonrecurring Charge</u>
(A)	<u>Channel Termination</u>		
	- Per Termination		
	- Two-Wire <u>IntraLATA</u>	\$ 32.36	\$138.57
		<u>InterLATA</u>	90.15 386.07
	- Four-Wire <u>IntraLATA</u>	50.36	138.57
		<u>InterLATA</u>	140.32 386.07
(1)	<u>Inside Wire Recovery Charge</u>		
	- Per Channel Termination		
	where inside wiring is	<u>Monthly Rate</u>	
	provided by the Telephone	<u>IntraLATA</u>	<u>InterLATA</u>
	Company in conjunction		
	with special access lines.	\$ 9.14	\$ 25.47
(B)	<u>Channel Mileage</u>		
(1)	<u>Channel Mileage Facility</u>		
	- Per Mile	\$ 2.94	\$ 8.20
(2)	<u>Channel Mileage Termination</u>		
	- Per Termination	\$54.62	\$152.19
(C)	<u>Optional Features and Functions</u>		
(1)	<u>Telegraph Bridging</u>		
	Two-Wire and Four-Wire		
	- Per Port		
	- Two-Wire	\$ 6.98	\$ 19.46
	- Four-Wire	\$ 6.98	\$ 19.46

Issued: February 15, 2002

**Issued By
Laurie A. Maffett**

Effective: April 18, 2002 Vice President Regulatory and Government Affairs
Advice No.:

ACCESS SERVICES

CITIZENS TELECOMMUNICATIONS COMPANY OF NEVADA
180 S. Clinton Ave. Rochester, NY 14646
P.U.C.N. Tariff No. A-3

Original Sheet No. 7-37

SECTION NO. 7

7. Special Access Service (Cont'd)

7.6 Telegraph Grade Service (Cont'd)

7.6.5 Rates and Charges, TONOPAH DIVISION

	<u>Rate</u>	<u>Monthly Nonrecurring Charge</u>
(A) <u>Channel Termination</u>		
- Per Termination		
- Two-Wire <u>IntraLATA</u>	\$ 32.07	\$137.36
<u>InterLATA</u>	38.09	163.11
- Four-Wire <u>IntraLATA</u>	49.92	137.36
<u>InterLATA</u>	59.28	163.11
 (1) <u>Inside Wire Recovery Charge</u>		
- Per Channel Termination where inside wiring is provided by the Telephone Company in conjunction with special access lines.	<u>Monthly Rate</u>	
	<u>IntraLATA</u>	<u>InterLATA</u>
	\$ 9.06	\$10.76
 (B) <u>Channel Mileage</u>		
(1) <u>Channel Mileage Facility</u>		
- Per Mile	\$ 2.92	\$ 3.46
 (2) <u>Channel Mileage Termination</u>		
- Per Termination	\$54.15	\$64.30
 (C) <u>Optional Features and Functions</u>		
(1) <u>Telegraph Bridging</u>		
Two-Wire and Four-Wire		
- Per Port		
- Two-Wire	\$ 6.92	\$ 8.22
- Four-Wire	\$ 6.92	\$ 8.22

Issued: February 15, 2002

**Issued By
Laurie A. Maffett**

Effective: April 18, 2002 Vice President Regulatory and Government Affairs
Advice No.:

ACCESS SERVICES

CITIZENS TELECOMMUNICATIONS COMPANY OF NEVADA
180 S. Clinton Ave. Rochester, NY 14646
P.U.C.N. Tariff No. A-3

Original Sheet No. 7-38

SECTION NO. 7

7. Special Access Service (Cont'd)

7.7 Voice Grade Service

7.7.1 Basic Channel Description

A Voice Grade channel is a channel which provides voice frequency transmission capability in the nominal frequency range of 300 to 3000 Hz and may be terminated two-wire or four-wire. Voice Grade channels are provided between customer designated premises or between a customer designated premises and a Telephone Company hub.

7.7.2 Technical Specifications Packages

<u>Parameter</u>	<u>Package VG-</u>												
	C*	1	2	3	4	5	6	7	8	9	10	11	12
Attenuation													
Distortion	X	X	X	X	X	X	X	X	X	X	X	X	X
C-Message Noise	X	X	X	X	X	X	X	X	X	X	X	X	X
Echo Control	X	X	X	X		X		X	X			X	X
Envelope Delay													
Distortion	X						X	X	X	X	X	X	X
Frequency Shift	X						X	X	X	X	X	X	X
Impulse Noise	X					X	X	X	X	X	X	X	X
Intermodulation													
Distortion	X						X	X	X	X	X	X	X
Loss Deviation	X	X	X	X	X	X	X	X	X	X	X	X	X
Phase Hits, Gain													
Hits, and Dropouts	X												
Phase Jitter	X						X	X	X	X	X	X	
Signal-to-C													
Message Noise					X								
Signal-to-C													
Notch Noise	X					X	X	X	X	X	X	X	X

* The desired parameters are selected by the customer from the list of available parameters.

Issued: February 15, 2002

Issued By
Laurie A. Maffett

Effective: April 18, 2002 **Vice President Regulatory and Government Affairs**
Advice No.:

ACCESS SERVICES

CITIZENS TELECOMMUNICATIONS COMPANY OF NEVADA
180 S. Clinton Ave. Rochester, NY 14646
P.U.C.N. Tariff No. A-3

Original Sheet No. 7-39

SECTION NO. 7

7. Special Access Service (Cont'd)

7.7 Voice Grade Service (Cont'd)

7.7.2 Technical Specifications Packages (Cont'd)

The technical specifications for these parameters (except for dropouts, gain hits, and phase hits) are delineated in Technical Reference PUB 62501 and associated Addendum. The technical specifications for dropouts, phase hits, and gain hits are delineated in Technical Reference PUB 41004, Table 4.

7.7.3 Channel Interfaces

The following channel interfaces for Voice Grade service do not require signaling capability: AH, DA, DB, DD, DE, DS, NO, PR and TF.

The following channel interfaces for Voice Grade service require signaling capability: AB, AC, CT, DX, DY, EA, EB, EC, EX, GO, GS, LA, LB, LC, LO, LR, LS, RV and SF.

Compatible channel interfaces are set forth in 15.3 following.

7.7.4 Optional Features and Functions

(A) Central Office Bridging Capability

- (1) Voice Bridging (two-wire and four-wire)
- (2) Data Bridging (two-wire and four-wire)
- (3) Telephoto Bridging (two-wire and four-wire)
- (4) DATAPHONE Select-A-Station Bridging with sequential arrangement ports or addressable arrangement ports

Issued: February 15, 2002

Issued By
Laurie A. Maffett

Effective: April 18, 2002 Vice President Regulatory and Government Affairs
Advice No.:

ACCESS SERVICES

CITIZENS TELECOMMUNICATIONS COMPANY OF NEVADA
180 S. Clinton Ave. Rochester, NY 14646
P.U.C.N. Tariff No. A-3

Original Sheet No. 7-40

SECTION NO. 7

7. Special Access Service (Cont'd)

7.7 Voice Grade Service (Cont'd)

7.7.4 Optional Features and Functions (Cont'd)

(A) Central Office Bridging Capability (Cont'd)

(5) Telemetry and Alarm Bridging

Split Band, Active Bridging
Passive Bridging
Summation, Active Bridging

(B) Central Office Multiplexing

Voice to Telegraph Grade. An arrangement that converts a Voice Grade channel to Telegraph Grade channels using frequency division multiplexing.

(C) Conditioning

Conditioning provides more specific transmission characteristics for Voice Grade services. C-Type conditioning controls attenuation distortion and envelope delay distortion. Sealing Current helps maintain continuity on dry metallic loops.

For two-point services, the parameters apply to each service. For multipoint services, the parameters apply to each mid-link or end link. C-Type conditioning and Data Capability may be combined on the same service.

Issued: February 15, 2002

Issued By
Laurie A. Maffett

Effective: April 18, 2002 Vice President Regulatory and Government Affairs
Advice No.:

ACCESS SERVICES

CITIZENS TELECOMMUNICATIONS COMPANY OF NEVADA
180 S. Clinton Ave. Rochester, NY 14646
P.U.C.N. Tariff No. A-3

Original Sheet No. 7-41

SECTION NO. 7

7. Special Access Service (Cont'd)

7.7 Voice Grade Service (Cont'd)

7.7.4 Optional Features and Functions (Cont'd)

(C) Conditioning (Cont'd)

(1) C-Type Conditioning

C-Type Conditioning is provided for the additional control of attenuation distortion and envelope delay distortion on data services. The attenuation distortion and envelope delay distortion specifications for C-Type Conditioning are:

Attenuation Distortion (Frequency Response) <u>Relative to 1004 Hz</u>		Envelope Delay <u>Distortion</u>	
<u>Frequency Range (Hz)</u>	<u>Variation (dB)</u>	<u>Frequency Range (Hz)</u>	<u>Variation (micro- seconds)</u>
400-2800	-1.0 to +2.0	1000-2600	100
300-3000	-1.0 to +3.0	800-2600	200
3000-3200	-2.0 to +6.0	600-2600	300
		500-2800	600
		500-3000	3000

Issued: February 15, 2002

Issued By
Laurie A. Maffett

Effective: April 18, 2002 Vice President Regulatory and Government Affairs
Advice No.:

ACCESS SERVICES

CITIZENS TELECOMMUNICATIONS COMPANY OF NEVADA
180 S. Clinton Ave. Rochester, NY 14646
P.U.C.N. Tariff No. A-3

Original Sheet No. 7-42

SECTION NO. 7

7. Special Access Service (Cont'd)

7.7 Voice Grade Service (Cont'd)

7.7.4 Optional Features and Functions (Cont'd)

(C) Conditioning (Cont'd)

(2) Sealing Current Conditioning

Sealing Current Conditioning is provided to help maintain continuity on dry metallic loops. It is usually associated with four-wire DA or NO type channel interfaces.

(D) Customer Specified Premises Receive Level

This option allows the customer to specify the receive level at the Point of Termination. The level must be within a specific range on effective four-wire transmission. The ranges are delineated in Technical Reference PUB 62501.

(E) Improved Return Loss

(1) On Effective Four-Wire Transmission at Four-Wire Point of Termination (applicable to each two-wire port): Provides for a fixed 600 ohm impedance, variable level range and simplex reversal. Telephone Company equipment is required at the customer's premises where this option is ordered. The Improved Return Loss parameters are delineated in Technical Reference PUB 62501.

(2) On Effective Two-Wire Transmission at Two-Wire Point of Termination: Provides for more stringent Echo Control specifications. In order for this option to be applicable, the transmission path must be four-wire at one POT and two-wire at the other POT. Placement of Telephone Company equipment may be required at the customer's premises with the two-wire POT. The Improved Return Loss parameters are delineated in Technical Reference PUB 62501.

Issued: February 15, 2002

Issued By
Laurie A. Maffett

Effective: April 18, 2002 Vice President Regulatory and Government Affairs
Advice No.:

ACCESS SERVICES

CITIZENS TELECOMMUNICATIONS COMPANY OF NEVADA
180 S. Clinton Ave. Rochester, NY 14646
P.U.C.N. Tariff No. A-3

Original Sheet No. 7-43

SECTION NO. 7

7. Special Access Service (Cont'd)

7.7 Voice Grade Service (Cont'd)

7.7.4 Optional Features and Functions (Cont'd)

(F) Data Capability (D Conditioning)

Data Capability provides transmission characteristics suitable for data communications. Specifically, Data Capability provides for the control of Signal to C-Notched Noise Ratio and intermodulation distortion. It is available for two-point services or three-point multipoint services.

The Signal to C-Notched Noise Ratio and intermodulation distortion parameter for Data Capability are:

- Signal to C-Notched Noise Ratio is equal to or greater than 32dB
- Intermodulation distortion:
- Signal to second order modulation products (R2) is equal to or greater than 38dB.
- Signal to third order modulation products (R3) is equal to or greater than 42 dB

When a service equipped with Data Capability is used for voice communications, the quality of the voice transmission may not be satisfactory.

(G) Telephoto Capability

Telephoto Capability provides transmission characteristic suitable for telephotographic communications. Specifically, Telephoto Capability is provided for the control of attenuation distortion and envelope delay distortion on telephotographic services. The attenuation distortion and envelope delay distortion parameters for Telephoto Capability are:

Issued: February 15, 2002

Issued By
Laurie A. Maffett

Effective: April 18, 2002 Vice President Regulatory and Government Affairs
Advice No.:

ACCESS SERVICES

CITIZENS TELECOMMUNICATIONS COMPANY OF NEVADA
180 S. Clinton Ave. Rochester, NY 14646
P.U.C.N. Tariff No. A-3

Original Sheet No. 7-44

SECTION NO. 7

7. Special Access Service (Cont'd)

7.7 Voice Grade Service (Cont'd)

7.7.4 Optional Features and Functions (Cont'd)

(G) Telephoto Capability (Cont'd)

Attenuation Distortion
(1004Hz Reference)

Envelope Delay Distortion

Frequency Variation
Range (Hz) (dB)

Frequency Variation
Range (Hz) (mcs)

500-3000 -0.5 to +1.5
300-3200 -1.0 to +2.5

1000-2600 110
800-2800 180

(H) Signaling Capability

Signaling Capability provides for the ability to transmit signals from one customer premises to another customer premises on the same service.

(I) Selective Signaling Arrangement

An arrangement that permits code selective ringing for up to ten codes on a multipoint service.

(J) Transfer Arrangement

An arrangement that affords the customer an additional measure of flexibility in the use of their access channel(s). The arrangement can be utilized to transfer a leg of a Special Access Service to another channel that terminates in either the same or a different customer premises. A key-activated or dial-up control service is required to operate the transfer arrangement. A spare channel, if required, is not included as part of the option.

Issued: February 15, 2002

Issued By
Laurie A. Maffett

Effective: April 18, 2002 Vice President Regulatory and Government Affairs
Advice No.:

ACCESS SERVICES

CITIZENS TELECOMMUNICATIONS COMPANY OF NEVADA
180 S. Clinton Ave. Rochester, NY 14646
P.U.C.N. Tariff No. A-3

Original Sheet No. 7-45

SECTION NO. 7

7. Special Access Service (Cont'd)

7.7 Voice Grade Service (Cont'd)

7.7.4 Optional Features and Functions (Cont'd)

(K) Public Packet Switching Network (PPSN) Interface Arrangement

An arrangement that provides the interface requirements that permit a Voice Grade service to interface with a Public Packet Switching Network packet switch located in a Telephone Company premises. The interface is compatible with X.25 and X.75 packet switching protocols as defined by the CCITT.

(L) Four-Wire/Two-Wire Conversions

When a customer requests that an effective four-wire channel be terminated with a two-wire channel interface at the customer designated premises, a four-wire to two-wire conversion is required. The rate for the conversion is included as part of the basic Channel Termination rate.

(M) Improved Two-Wire Voice Transmission

(1) Loss Deviation

The maximum Loss Deviation of the 1004 HZ loss relative to the Expected measured Loss (EML) is -4.0 dB to +4.0 dB.

(2) Attenuation Distortion

The maximum Attenuation Distortion in the 404 to 280 Hz frequency band relative to loss at 1004 Hz is -2.0 dB to +6.0 dB.

Issued: February 15, 2002

Issued By

Laurie A. Maffett

Effective: April 18, 2002 Vice President Regulatory and Government Affairs
Advice No.:

ACCESS SERVICES

CITIZENS TELECOMMUNICATIONS COMPANY OF NEVADA
180 S. Clinton Ave. Rochester, NY 14646
P.U.C.N. Tariff No. A-3

Original Sheet No. 7-46

SECTION NO. 7

7. Special Access Service (Cont'd)

7.7 Voice Grade Service (Cont'd)

7.7.4 Optional Features and Functions (Cont'd)

(M) Improved Two-Wire Voice Transmission (Cont'd)

(3) C-Message Noise

The maximum C-Message Noise for the transmission path at the route miles listed is less than:

<u>Route Miles</u>	<u>C-Message Noise</u>
less than 50	35 dBrnc
51 to 100	37 dBrnc
01 to 200	40 dBrnc
201 to 400	43 dBrnc
401 to 1000	45 dBrnc

(4) Return Loss

The Return Loss, expressed as Echo Return Loss (ERL) and Singing Return Loss (SRL), is equal to or greater than:

ERL 13.0 dB
SRL 6.0 dB

The rate for the provision of Improved Two-Wire Voice Transmission is included as part of the basic Channel Termination rate.

Issued: February 15, 2002

Issued By
Laurie A. Maffett

Effective: April 18, 2002 Vice President Regulatory and Government Affairs
Advice No.:

ACCESS SERVICES

CITIZENS TELECOMMUNICATIONS COMPANY OF NEVADA
180 S. Clinton Ave. Rochester, NY 14646
P.U.C.N. Tariff No. A-3

Original Sheet No. 7-47

SECTION NO. 7

7. Special Access Service (Cont'd)

7.7 Voice Grade Service (Cont'd)

7.7.4 Optional Features and Functions (Cont'd)

The following table shows the technical specifications packages with which the optional features and functions are available.

	Available with Technical Specifications Package VG-													
	<u>C*</u>	<u>1</u>	<u>2</u>	<u>3</u>	<u>4</u>	<u>5</u>	<u>6</u>	<u>7</u>	<u>8</u>	<u>9</u>	<u>10</u>	<u>11</u>	<u>12</u>	<u>W</u>
C-Type Conditioning	X					X	X	X	X	X	X			
Central Office Bridging Capability	X		X			X	X				X	X	X	
Central Office Multiplexing	X						X							
Customer Specified Premises Receive Level	X		X	X				X	X	X				
Data Capability	X						X	X			X			
Improved Return Loss For Effective Four-Wire Transmission	X	X	X	X	X	X	X	X	X	X	X	X	X	
For Effective Two-Wire Voice Transmission	X		X	X				X						
Improved Two-Wire Voice Transmission														X
PPSN Interface Arrangement	X									X				
Sealing Current Conditioning	X						X							
Selective Signaling Arrangement	X		X			X	X				X	X	X	
Signaling Capability	X	X	X	X				X	X	X				
Telephoto Capability	X												X	
Transfer Arrangement	X	X	X	X	X	X	X	X	X	X	X	X	X	

Issued: February 15, 2002

**Issued By
Laurie A. Maffett**

Effective: April 18, 2002 Vice President Regulatory and Government Affairs
Advice No.:

ACCESS SERVICES

CITIZENS TELECOMMUNICATIONS COMPANY OF NEVADA
180 S. Clinton Ave. Rochester, NY 14646
P.U.C.N. Tariff No. A-3

Original Sheet No. 7-48

SECTION NO. 7

7. Special Access Service (Cont'd)

7.7 Voice Grade Service (Cont'd)

7.7.5 Rates and Charges ELKO DIVISION

	<u>Monthly Rate</u>	<u>Nonrecurring Charge</u>
(A) <u>Channel Termination</u>		
- Per Termination		
- Two-Wire <u>IntraLATA</u>	\$ 40.88	\$142.68
<u>InterLATA</u>	113.89	397.53
- Four-Wire <u>IntraLATA</u>	58.88	142.68
<u>InterLATA</u>	164.06	397.53
 (1) <u>Inside Wire Recovery Charge</u>		
- Per Channel Termination		<u>Monthly Rate</u>
where inside wiring is	<u>IntraLATA</u>	<u>InterLATA</u>
provided by the Telephone		
Company in conjunction		
with special access lines.	\$ 9.14	\$ 25.47
 (B) <u>Channel Mileage</u>		
 (1) <u>Channel Mileage Facility</u>		
- Per Mile	\$ 2.94	\$ 8.20
 (2) <u>Channel Mileage Termination</u>		
- Per Termination	\$54.62	\$152.19
 (C) <u>Optional Features and Functions</u>		
 (1) <u>Bridging</u>		
(a) <u>Voice Bridging</u>		
<u>Two-Wire/Four Wire</u>		
- Per port		
- Two-Wire	\$ 6.98	\$ 19.46
- Four-Wire	\$ 6.98	\$ 19.46

Issued: February 15, 2002

**Issued By
Laurie A. Maffett**

Effective: April 18, 2002 Vice President Regulatory and Government Affairs
Advice No.:

ACCESS SERVICES

CITIZENS TELECOMMUNICATIONS COMPANY OF NEVADA
180 S. Clinton Ave. Rochester, NY 14646
P.U.C.N. Tariff No. A-3

Original Sheet No. 7-49

SECTION NO. 7

7. Special Access Service (Cont'd)

7.7 Voice Grade Service (Cont'd)

7.7.5 Rates and Charges (Cont'd) ELKO DIVISION

	<u>Monthly Rate</u>	
	<u>IntraLATA</u>	<u>InterLATA</u>
(C) <u>Optional Features and Functions (Cont'd)</u>		
(1) <u>Bridging (Cont'd)</u>		
(b) <u>Data Bridging</u>		
<u>Two-Wire/Four-Wire</u>		
- Per port		
- Two-Wire	\$ 6.98	\$ 19.46
- Four-Wire	\$ 6.98	\$ 19.46
(c) <u>Telephoto Bridging</u>		
<u>Two-Wire/Four-Wire</u>		
- Per port		
- Two-Wire	\$ 6.98	\$ 19.46
- Four-Wire	\$ 6.98	\$ 19.46
(d) <u>DATAPHONE Select-A-Station Bridging</u>		
<u>Sequential Arrangement Ports</u>		
- Per channel connected		
- Two-wire	\$ 38.81	\$108.13
- Four-wire	\$206.21	\$574.52

Issued: February 15, 2002

Issued By
Laurie A. Maffett

Effective: April 18, 2002 **Vice President Regulatory and Government Affairs**
Advice No.:

ACCESS SERVICES

CITIZENS TELECOMMUNICATIONS COMPANY OF NEVADA
180 S. Clinton Ave. Rochester, NY 14646
P.U.C.N. Tariff No. A-3

Original Sheet No. 7-50

SECTION NO. 7

7. Special Access Service (Cont'd)

7.7 Voice Grade Service (Cont'd)

7.7.5 Rates and Charges (Cont'd) ELKO DIVISION

	<u>Monthly Rate</u>	
	<u>IntraLATA</u>	<u>InterLATA</u>
(C) <u>Optional Features and Functions (Cont'd)</u>		
(1) <u>Bridging (Cont'd)</u>		
(d) <u>DATAPHONE Select-A-Station Bridging (Cont'd)</u>		
Addressable Arrangement Ports		
- Per channel connected		
- Two-wire	\$ 41.61	\$115.92
- Four-wire	211.84	590.21
(e) <u>Telemetry and Alarm Bridging</u>		
Active Bridging Channel Connections		
- Split Band		
- Per channel connected	14.70	40.95
- Summation		
- Per channel connected	2.50	6.98
Passive Bridging Channel Connections		
- Per channel connected	\$.37	\$ 1.02
(2) <u>Conditioning</u>		
- Per Termination		
- C - Type	\$10.40	\$28.98
- Sealing Current	None	None

Issued: February 15, 2002

**Issued By
Laurie A. Maffett**

Effective: April 18, 2002 Vice President Regulatory and Government Affairs
Advice No.:

ACCESS SERVICES

CITIZENS TELECOMMUNICATIONS COMPANY OF NEVADA
180 S. Clinton Ave. Rochester, NY 14646
P.U.C.N. Tariff No. A-3

Original Sheet No. 7-51

SECTION NO. 7

7. Special Access Service (Cont'd)

7.7 Voice Grade Service (Cont'd)

7.7.5 Rates and Charges (Cont'd) ELKO DIVISION

		<u>Monthly Rate</u>	<u>Nonrecurring Charge</u>
(C) <u>Optional Features and Functions (Cont'd)</u>			
(3) <u>Improved Return Loss for Effective Two-Wire or Four-Wire Transmission</u>			
- Per termination			
- Two-Wire	<u>IntraLATA</u>	\$ 3.09	None
	<u>InterLATA</u>	8.61	None
- Four-Wire	<u>IntraLATA</u>	\$ 3.09	None
	<u>InterLATA</u>	8.61	None
(4) <u>Customer Specified Receive Level</u>			
- Per two-wire termination		None	None
(5) <u>Multiplexing</u>			
Voice to Telegraph Grade			
- Per arrangement	<u>IntraLATA</u>	\$ 396.24	None
	<u>InterLATA</u>	1,103.97	None
(6) <u>Data Capability</u>			
- Per termination	<u>IntraLATA</u>	\$ 2.32	\$ 427.78
	<u>InterLATA</u>	6.47	1,191.83
(7) <u>Telephoto Capability</u>			
- Per termination	<u>IntraLATA</u>	\$ 5.14	\$ 427.78
	<u>InterLATA</u>	14.31	1,191.83

Issued: February 15, 2002

Issued By

Laurie A. Maffett

Effective: April 18, 2002

Vice President Regulatory and Government Affairs

Advice No.:

ACCESS SERVICES

CITIZENS TELECOMMUNICATIONS COMPANY OF NEVADA
180 S. Clinton Ave. Rochester, NY 14646
P.U.C.N. Tariff No. A-3

Original Sheet No. 7-52

SECTION NO. 7

7. Special Access Service (Cont'd)

7.7 Voice Grade Service (Cont'd)

7.7.5 Rates and Charges (Cont'd) ELKO DIVISION

(C)	<u>Optional Features and Functions (Cont'd)</u>	<u>IntraLATA</u>	Monthly
			<u>Rate</u> <u>InterLATA</u>
(8)	<u>Signaling Capability</u> - Per termination	\$24.02	\$66.93
(9)	<u>Selective Signaling Arrangement</u> - Per arrangement	\$25.68	\$71.56
(10)	<u>Transfer Arrangement (key-activated* or dial-up**)</u> - Per four port arrangement including control channel termination***	\$ 5.48	\$15.28
	- Per five port arrangement including control channel termination***	\$12.52	\$34.89
(11)	<u>Public Packet Switching Network (PPSN) Interface Arrangement</u> - Per arrangement	ICB	ICB

ICB rates and charges are filed in 7.13 following.

* The key-activated control channel is rated as a Metallic Channel Termination and Channel Mileage, if applicable.

** The Dial-up option requires the customer to purchase the Controller Arrangement from 13.3.8 following.

*** An additional Channel Termination charge will apply whenever a spare channel is configured as a leg to the customer designated premises. Additional channel mileage charges will also apply when the transfer arrangement is not located in the customer designated premises serving wire center.

Issued: February 15, 2002

Issued By
Laurie A. Maffett

Effective: April 18, 2002 Vice President Regulatory and Government Affairs
Advice No.:

ACCESS SERVICES

CITIZENS TELECOMMUNICATIONS COMPANY OF NEVADA
180 S. Clinton Ave. Rochester, NY 14646
P.U.C.N. Tariff No. A-3

Original Sheet No. 7-53

SECTION NO. 7

7. Special Access Service (Cont'd)

7.7 Voice Grade Service (Cont'd)

7.7.5 Rates and Charges TONOPAH DIVISION

<u>Charge</u>	Monthly	Nonrecurring <u>Rate</u>
(A) <u>Channel Termination</u>		
- Per Termination		
- Two-Wire <u>IntraLATA</u>	\$ 40.52	\$141.43
<u>InterLATA</u>	48.11	167.95
- Four-Wire <u>IntraLATA</u>	58.37	141.43
<u>InterLATA</u>	69.31	167.95
(1) <u>Inside Wire Recovery Charge</u>		
- Per Channel Termination where inside wiring is provided by the Telephone Company in conjunction with special access lines.		<u>Monthly Rate</u>
	<u>IntraLATA</u>	<u>InterLATA</u>
	\$ 9.06	\$ 10.76
(B) <u>Channel Mileage</u>		
(1) <u>Channel Mileage Facility</u>		
- Per Mile	\$ 2.92	\$ 3.46
(2) <u>Channel Mileage Termination</u>		
- Per Termination	\$54.15	\$64.30
(C) <u>Optional Features and Functions</u>		
(1) <u>Bridging</u>		
(a) <u>Voice Bridging</u>		
Two-Wire/Four Wire		
- Per port		
- Two-Wire	\$ 6.92	\$ 8.22
- Four-Wire	\$ 6.92	\$ 8.22

Issued: February 15, 2002

**Issued By
Laurie A. Maffett**

Effective: April 18, 2002 Vice President Regulatory and Government Affairs
Advice No.:

ACCESS SERVICES

CITIZENS TELECOMMUNICATIONS COMPANY OF NEVADA
180 S. Clinton Ave. Rochester, NY 14646
P.U.C.N. Tariff No. A-3

Original Sheet No. 7-54

SECTION NO. 7

7. Special Access Service (Cont'd)

7.7 Voice Grade Service (Cont'd)

7.7.5 Rates and Charges (Cont'd) TONOPAH DIVISION

		Monthly Rate	
		<u>IntraLATA</u>	<u>InterLATA</u>
(C)	<u>Optional Features and Functions (Cont'd)</u>		
(1)	<u>Bridging (Cont'd)</u>		
	(b) <u>Data Bridging</u>		
	Two-Wire/Four-Wire		
	- Per port		
	- Two-Wire	\$ 6.92	\$ 8.22
	- Four-Wire	\$ 6.92	\$ 8.22
	(c) <u>Telephoto Bridging</u>		
	Two-Wire/Four-Wire		
	- Per port		
	- Two-Wire	\$ 6.92	\$ 8.22
	- Four-Wire	\$ 6.92	\$ 8.22
	(d) <u>DATAPHONE Select-A-Station Bridging</u>		
	Sequential Arrangement Ports		
	- Per channel connected		
	- Two-wire	\$ 38.47	\$ 45.68
	- Four-wire	\$204.40	\$242.72

Issued: February 15, 2002

Issued By
Laurie A. Maffett

Effective: April 18, 2002 Vice President Regulatory and Government Affairs
Advice No.:

ACCESS SERVICES

CITIZENS TELECOMMUNICATIONS COMPANY OF NEVADA
180 S. Clinton Ave. Rochester, NY 14646
P.U.C.N. Tariff No. A-3

Original Sheet No. 7-55

SECTION NO. 7

7. Special Access Service (Cont'd)

7.7 Voice Grade Service (Cont'd)

7.7.5 Rates and Charges (Cont'd) TONOPAH DIVISION

	<u>Monthly Rate</u>	
	<u>IntraLATA</u>	<u>InterLATA</u>
(C) <u>Optional Features and Functions (Cont'd)</u>		
(1) <u>Bridging (Cont'd)</u>		
(d) <u>DATAPHONE Select-A-Station Bridging (Cont'd)</u>		
Addressable Arrangement Ports		
- Per channel connected		
- Two-wire	\$ 41.24	\$ 48.97
- Four-wire	209.99	249.35
(e) <u>Telemetry and Alarm Bridging</u>		
Active Bridging Channel Connections		
- Split Band		
- Per channel connected	14.57	17.30
- Summation		
- Per channel connected	2.48	2.95
Passive Bridging Channel Connections		
- Per channel connected	\$.3600	\$.4300
(2) <u>Conditioning</u>		
- Per Termination		
- C - Type	\$10.31	\$12.24
- Sealing Current	None	None

Issued: February 15, 2002

**Issued By
Laurie A. Maffett**

Effective: April 18, 2002 Vice President Regulatory and Government Affairs
Advice No.:

ACCESS SERVICES

CITIZENS TELECOMMUNICATIONS COMPANY OF NEVADA
180 S. Clinton Ave. Rochester, NY 14646
P.U.C.N. Tariff No. A-3

Original Sheet No. 7-56

SECTION NO. 7

7. Special Access Service (Cont'd)

7.7 Voice Grade Service (Cont'd)

7.7.5 Rates and Charges (Cont'd) TONOPAH DIVISION

		<u>Monthly Rate</u>	<u>Nonrecurring Charge</u>
(C) <u>Optional Features and Functions (Cont'd)</u>			
(3) <u>Improved Return Loss for Effective Two-Wire or Four-Wire Transmission</u>			
- Per termination			
- Two-Wire	<u>IntraLATA</u>	\$ 3.06	None
	<u>InterLATA</u>	3.64	None
- Four-Wire	<u>IntraLATA</u>	\$ 3.06	None
	<u>InterLATA</u>	3.64	None
(4) <u>Customer Specified Receive Level</u>			
- Per two-wire termination		None	None
(5) <u>Multiplexing</u>			
Voice to Telegraph Grade			
- Per arrangement	<u>IntraLATA</u>	\$ 392.77	None
	<u>InterLATA</u>	466.40	None
(6) <u>Data Capability</u>			
- Per termination	<u>IntraLATA</u>	\$ 2.30	\$ 424.03
	<u>InterLATA</u>	2.73	503.52
(7) <u>Telephoto Capability</u>			
- Per termination	<u>IntraLATA</u>	\$ 5.09	\$ 424.03
	<u>InterLATA</u>	6.05	503.52

Issued: February 15, 2002

**Issued By
Laurie A. Maffett**

Effective: April 18, 2002 **Vice President Regulatory and Government Affairs**
Advice No.:

ACCESS SERVICES

CITIZENS TELECOMMUNICATIONS COMPANY OF NEVADA
180 S. Clinton Ave. Rochester, NY 14646
P.U.C.N. Tariff No. A-3

Original Sheet No. 7-57

SECTION NO. 7

7. Special Access Service (Cont'd)

7.7 Voice Grade Service (Cont'd)

7.7.5 Rates and Charges (Cont'd) TONOPAH DIVISION

(C) <u>Optional Features and Functions (Cont'd)</u>	<u>IntraLATA</u>	Monthly <u>Rate</u> <u>InterLATA</u>
(8) <u>Signaling Capability</u> - Per termination	\$23.81	\$28.27
(9) <u>Selective Signaling Arrangement</u> - Per arrangement	\$25.46	\$30.23
(10) <u>Transfer Arrangement (key-activated* or dial-up**)</u> - Per four port arrangement including control channel termination***	\$ 5.44	\$ 6.46
- Per five port arrangement including control channel termination***	\$12.41	\$14.74
(11) <u>Public Packet Switching Network (PPSN) Interface Arrangement</u> - Per arrangement	ICB	ICB

ICB rates and charges are filed in 7.13 following.

* The key-activated control channel is rated as a Metallic Channel Termination and Channel Mileage, if applicable.

** The Dial-up option requires the customer to purchase the Controller Arrangement from 13.3.8 following.

*** An additional Channel Termination charge will apply whenever a spare channel is configured as a leg to the customer designated premises. Additional channel mileage charges will also apply when the transfer arrangement is not located in the customer designated premises serving wire center.

Issued: February 15, 2002

**Issued By
Laurie A. Maffett**

Effective: April 18, 2002 Vice President Regulatory and Government Affairs
Advice No.:

ACCESS SERVICES

CITIZENS TELECOMMUNICATIONS COMPANY OF NEVADA
180 S. Clinton Ave. Rochester, NY 14646
P.U.C.N. Tariff No. A-3

Original Sheet No. 7-58

SECTION NO. 7

7. Special Access Service (Cont'd)

7.8 Program Audio Service

7.8.1 Basic Channel Description

A Program Audio channel is a channel with bandwidth measured in Hz for the transmission of a complex signal voltage. The actual bandwidth is a function of the channel interface selected by the customer. Only one-way transmission is provided. Program Audio channels are provided between customer designated premises or between a customer designated premises and a Telephone Company hub.

7.8.2 Technical Specifications Packages

<u>Parameter</u>	C*	<u>Package AP</u>			
		1	2	3	4
Actual Measured Loss	X	X	X	X	X
Amplitude Tracking	X				
Crosstalk	X	X	X	X	X
Distortion Tracking	X				
Gain/Frequency Distortion	X	X	X	X	X
Group Delay	X				
Noise	X	X	X	X	X
Phase Tracking	X				
Short-Term Gain Stability	X				
Short-Term Loss	X				
Total Distortion	X	X	X	X	X

The technical specifications are delineated in Technical Reference PUB 62503 and associated Addendum.

7.8.3 Channel Interfaces

The following channel interfaces (CIs) define the bandwidths that are available for a Program Audio channel:

* The desired parameters are selected by the customer from the list of available parameters.

ACCESS SERVICES

CITIZENS TELECOMMUNICATIONS COMPANY OF NEVADA
180 S. Clinton Ave. Rochester, NY 14646
P.U.C.N. Tariff No. A-3

Original Sheet No. 7-59

SECTION NO. 7

7. Special Access Service (Cont'd)

7.8 Program Audio Service (Cont'd)

7.8.3 Channel Interfaces (Cont'd)

<u>CI</u>	<u>Bandwidth</u>
PG-1	Nominal frequency from 50 to 15000 Hz
PG-3	Nominal frequency from 200 to 3500 Hz
PG-5	Nominal frequency from 100 to 5000 Hz
PG-8	Nominal frequency from 50 to 8000 Hz

Compatible channel interfaces are set forth in 15.3 following.

7.8.4 Optional Features and Functions

(A) Central Office Bridging Capability

Distribution Amplifier

(B) Gain Conditioning

Control of 1004 Hz AML at initiation of service to 0dB + 0.5 dB.

(C) Stereo

Provision of a pair of gain/phase equalized channels for stereo applications. (Additional AP channel must be ordered separately.)

The following table shows the technical specifications packages with which the optional features and functions are available.

	Available with Technical <u>Specification Package AP-</u>				
	C	1	2	3	4
Central Office Bridging Capability	X	X	X	X	X
Gain Conditioning	X	X	X	X	X
Stereo	X				X

Issued: February 15, 2002

Issued By
Laurie A. Maffett

Effective: April 18, 2002 Vice President Regulatory and Government Affairs
Advice No.:

ACCESS SERVICES

CITIZENS TELECOMMUNICATIONS COMPANY OF NEVADA
180 S. Clinton Ave. Rochester, NY 14646
P.U.C.N. Tariff No. A-3

Original Sheet No. 7-60

SECTION NO. 7

7. Special Access Service (Cont'd)

7.8 Program Audio Service (Cont'd)

7.8.5 Rates and Charges ELKO DIVISION

		Monthly	Daily*	Nonrecurring	
		Rate	Rate	Charge	
(A)	<u>Channel Termination</u>			Monthly	Daily
	- Per Termination				
	- 200 to 3500 Hz <u>IntraLATA</u>	\$ 35.78	\$ 3.58	\$ 89.94	\$ 89.94
	<u>InterLATA</u>	99.68	9.98	250.59	250.59
	- 100 to 5000 Hz <u>IntraLATA</u>	69.23	6.93	89.94	89.94
	<u>InterLATA</u>	192.88	19.30	250.59	250.59
	- 50 to 8000 Hz <u>IntraLATA</u>	67.44	6.75	89.94	89.94
	<u>InterLATA</u>	187.98	18.79	250.59	250.59
	- 50 to 15000 Hz <u>IntraLATA</u>	104.77	10.48	89.94	89.94
	<u>InterLATA</u>	291.90	29.18	250.59	250.59
(1)	<u>Inside Wire Recovery Charge</u>		Monthly		Daily
	- Per Channel Termination		Rate		Rate*
	where inside wiring is				
	provided by the Telephone				
	Company in conjunction	<u>IntraLATA</u>	\$ 9.14		\$.91
	with special access lines	<u>InterLATA</u>	25.47		2.55
(B)	<u>Channel Mileage</u>				
(1)	<u>Channel Mileage Facility</u>				
	- Per Mile				
	- 200 to 3500 Hz <u>IntraLATA</u>		\$ 5.25		\$.53
	<u>InterLATA</u>		14.62		1.48
	- 100 to 5000 Hz <u>IntraLATA</u>		8.46		.84
	<u>InterLATA</u>		23.58		2.34
	- 50 to 8000 Hz <u>IntraLATA</u>		11.28		1.13
	<u>InterLATA</u>		31.43		3.16
	- 50 to 15000 Hz <u>IntraLATA</u>		20.80		2.08
	<u>InterLATA</u>		57.96		5.81
(2)	<u>Channel Mileage Termination</u>				
	- Per Termination				
	- 200 to 3500 Hz <u>IntraLATA</u>		\$ 53.45		\$ 5.34
	<u>InterLATA</u>		148.93		14.87
	- 100 to 5000 Hz <u>IntraLATA</u>		56.36		5.63
	<u>InterLATA</u>		157.03		15.69

*Daily rates will be topped and maximum rates derived as set forth in 7.2.3(B) preceding.

Issued: February 15, 2002

Issued By

Laurie A. Maffett

Effective: April 18, 2002

Vice President Regulatory and Government Affairs

Advice No.:

ACCESS SERVICES

CITIZENS TELECOMMUNICATIONS COMPANY OF NEVADA
180 S. Clinton Ave. Rochester, NY 14646
P.U.C.N. Tariff No. A-3

Original Sheet No. 7-61

SECTION NO. 7

7. Special Access Service (Cont'd)

7.8 Program Audio Service (Cont'd)

7.8.5 Rates and Charges (Cont'd) ELKO DIVISION

(B) Channel Mileage (Cont'd)

		<u>Monthly</u>	<u>Daily</u>
		<u>Rate</u>	<u>Rate*</u>
(2)	<u>Channel Mileage Termination (Cont'd)</u>		
	- 50 to 8000 Hz <u>IntraLATA</u>	\$ 62.08	\$ 6.22
		<u>InterLATA</u>	172.97 17.32
	- 50 to 15000 Hz <u>IntraLATA</u>	81.31	8.14
		<u>InterLATA</u>	226.55 22.67

(C) Optional Features and Functions

		<u>Monthly</u>	<u>Daily*</u>	<u>Nonrecurring</u>	
		<u>Rate</u>	<u>Rate</u>	<u>Charge</u>	
				<u>Monthly</u>	<u>Daily</u>
(1)	<u>Bridging, Distribution</u>				
	<u>Amplifier</u>				
	- Per Port <u>IntraLATA</u>	\$35.01	\$ 3.51	None	None
		<u>InterLATA</u>	97.54	9.78	None
(2)	<u>Gain Conditioning, per service</u>				
	<u>IntraLATA</u>	10.40	1.02	\$ 299.81	\$ 299.81
	<u>InterLATA</u>	28.98	2.85	835.30	835.30
(3)	<u>Stereo, per service</u>				
	<u>IntraLATA</u>	None	None	659.94	659.94
	<u>InterLATA</u>	None	None	1,838.68	1,838.68

*Daily rates will be topped and maximum rates derived as set forth in 7.2.3(B) preceding.

Issued: February 15, 2002

Issued By
Laurie A. Maffett

Effective: April 18, 2002 Vice President Regulatory and Government Affairs
Advice No.:

ACCESS SERVICES

CITIZENS TELECOMMUNICATIONS COMPANY OF NEVADA
180 S. Clinton Ave. Rochester, NY 14646
P.U.C.N. Tariff No. A-3

Original Sheet No. 7-62

SECTION NO. 7

7. Special Access Service (Cont'd)

7.8 Program Audio Service (Cont'd)

7.8.5 Rates and Charges TONOPAH DIVISION

		Monthly	Daily*	Nonrecurring	
		Rate	Rate	Monthly	Daily
				Charge	
(A)	<u>Channel Termination</u>				
	- Per Termination				
	- 200 to 3500 Hz <u>IntraLATA</u>	\$ 35.46	\$ 3.55	\$ 89.16	\$ 89.16
	<u>InterLATA</u>	42.11	4.22	105.87	105.87
	- 100 to 5000 Hz <u>IntraLATA</u>	68.62	6.87	89.16	89.16
	<u>InterLATA</u>	81.49	8.16	105.87	105.87
	- 50 to 8000 Hz <u>IntraLATA</u>	66.85	6.69	89.16	89.16
	<u>InterLATA</u>	79.38	7.94	105.87	105.87
	- 50 to 15000 Hz <u>IntraLATA</u>	103.85	10.38	89.16	89.16
	<u>InterLATA</u>	123.32	12.33	105.87	105.87
(1)	<u>Inside Wire Recovery Charge</u>		Monthly	Daily	
	- Per Channel Termination		<u>Rate</u>	<u>Rate*</u>	
	where inside wiring is				
	provided by the Telephone				
	Company in conjunction	<u>IntraLATA</u>	\$ 9.06	\$.91	
	with special access lines	<u>InterLATA</u>	10.76	1.08	
(B)	<u>Channel Mileage</u>				
(1)	<u>Channel Mileage Facility</u>				
	- Per Mile				
	- 200 to 3500 Hz <u>IntraLATA</u>		\$ 5.20	\$.53	
	<u>InterLATA</u>		6.18	.62	
	- 100 to 5000 Hz <u>IntraLATA</u>		8.39	.83	
	<u>InterLATA</u>		9.96	.99	
	- 50 to 8000 Hz <u>IntraLATA</u>		11.18	1.12	
	<u>InterLATA</u>		13.28	1.33	
	- 50 to 15000 Hz <u>IntraLATA</u>		20.62	2.07	
	<u>InterLATA</u>		24.49	2.45	
(2)	<u>Channel Mileage Termination</u>				
	- Per Termination				
	- 200 to 3500 Hz <u>IntraLATA</u>		\$ 52.99	\$ 5.29	
	<u>InterLATA</u>		62.92	6.28	
	- 100 to 5000 Hz <u>IntraLATA</u>		55.87	5.58	
	<u>InterLATA</u>		66.34	6.63	

*Daily rates will be topped and maximum rates derived as set forth in 7.2.3(B) preceding.

Issued: February 15, 2002

Issued By

Laurie A. Maffett

Effective: April 18, 2002

Vice President Regulatory and Government Affairs

Advice No.:

ACCESS SERVICES

CITIZENS TELECOMMUNICATIONS COMPANY OF NEVADA
180 S. Clinton Ave. Rochester, NY 14646
P.U.C.N. Tariff No. A-3

Original Sheet No. 7-63

SECTION NO. 7

7. Special Access Service (Cont'd)

7.8 Program Audio Service (Cont'd)

7.8.5 Rates and Charges (Cont'd) TONOPAH DIVISION

(B) Channel Mileage (Cont'd)

		Monthly	Daily
		<u>Rate</u>	<u>Rate*</u>
(2)	<u>Channel Mileage Termination (Cont'd)</u>		
	- 50 to 8000 Hz <u>IntraLATA</u>	\$ 61.54	\$ 6.16
		<u>InterLATA</u>	73.08 7.32
	- 50 to 15000 Hz <u>IntraLATA</u>	80.60	8.06
		<u>InterLATA</u>	95.71 9.58

(C) Optional Features and Functions

		Monthly	Daily*	Nonrecurring	
		<u>Rate</u>	<u>Rate</u>	<u>Charge</u>	
				<u>Monthly</u>	<u>Daily</u>
(1)	<u>Bridging, Distribution</u>				
	<u>Amplifier</u>				
	- Per Port <u>IntraLATA</u>	\$34.70	\$ 3.48	None	None
		<u>InterLATA</u>	41.21 4.13	None	None
(2)	<u>Gain Conditioning, per service</u>				
	<u>IntraLATA</u>	10.31	1.01	\$ 297.18	\$ 297.18
	<u>InterLATA</u>	12.24	1.21	352.90	352.90
(3)	<u>Stereo, per service</u>				
	<u>IntraLATA</u>	None	None	654.17	654.17
	<u>InterLATA</u>	None	None	776.80	776.80

*Daily rates will be topped and maximum rates derived as set forth in 7.2.3(B) preceding.

Issued: February 15, 2002

Issued By
Laurie A. Maffett

Effective: April 18, 2002 Vice President Regulatory and Government Affairs
Advice No.:

ACCESS SERVICES

CITIZENS TELECOMMUNICATIONS COMPANY OF NEVADA
180 S. Clinton Ave. Rochester, NY 14646
P.U.C.N. Tariff No. A-3

Original Sheet No. 7-64

SECTION NO. 7

7.9 Video Service

7.9.1 Basic Channel Description

A Video channel is a channel with one-way transmission capability for a standard 525 line/60 field monochrome, or National Television Systems Committee color, video signal and one or two associated 5 or 15 kHz audio signal(s). The associated audio signal(s) may be either diplexed or provided as one or two separate channels. The provision and the bandwidth of the associated audio signal(s) is a function of the channel interface selected by the customer. Video channels are provided between customer designated premises or between a customer designated premises and a Telephone Company hub.

Issued: February 15, 2002

Issued By
Laurie A. Maffett

Effective: April 18, 2002 **Vice President Regulatory and Government Affairs**
Advice No.:

ACCESS SERVICES

CITIZENS TELECOMMUNICATIONS COMPANY OF NEVADA
180 S. Clinton Ave. Rochester, NY 14646
P.U.C.N. Tariff No. A-3

Original Sheet No. 7-65

SECTION NO. 7

7. Special Access Service (Cont'd)

7.9 Video Service (Cont'd)

7.9.2 Technical Specifications Packages

<u>Parameter</u>	<u>Package TV-</u>		
	<u>C*</u>	<u>1</u>	<u>2</u>
Amplitude vs. Frequency Response	X		
Chrominance/Luminance Inequalities			
Gain	X	X	X
Delay	X	X	X
Chrominance/Luminance Intermodulation	X		
Chrominance Nonlinear Gain	X		
Chrominance Nonlinear Phase	X		
Crosstalk	X		X
Differential Gain	X	X	X
Differential Phase	X	X	X
Dynamic Gain (picture and sync signal)		X	
Field-Time Distortion	X	X	X
Gain/Frequency Distortion	X	X	X
Gain Stability	X	X	X
Insertion Gain	X	X	X
Line-Time Distortion	X	X	X
Long-Time Distortion	X	X	X

* The desired parameters are selected by the customer from the list of available parameters.

Issued: February 15, 2002

Issued By
Laurie A. Maffett

Effective: April 18, 2002 Vice President Regulatory and Government Affairs
Advice No.:

ACCESS SERVICES

CITIZENS TELECOMMUNICATIONS COMPANY OF NEVADA
180 S. Clinton Ave. Rochester, NY 14646
P.U.C.N. Tariff No. A-3

Original Sheet No. 7-66

SECTION NO. 7

7. Special Access Service (Cont'd)

7.9 Video Service (Cont'd)

7.9.2 Technical Specifications Packages (Cont'd)

<u>Parameter</u>	<u>Package TV-</u>		
	<u>C*</u>	<u>1</u>	<u>2</u>
Luminance Nonlinearity	X		
Luminance Signal/CCIR			
Weighted Noise	X	X	X
Short-Time Distortion			
2 T Pulse	X	X	X
T - Bar Ringing	X	X	X
Signal/15 kHz Flat			
Weighted Noise	X	X	X
Signal/Low Frequency			
Noise	X		
Stereo Gain Difference	X	X	
Stereo Phase Difference	X	X	
Total Harmonic Distortion	X	X	X
Transient Sync Signal			
Non-Linearity	X		
Video/Audio Delay			
Difference	X		

The technical specifications are delineated in Technical Reference PUB 62504 and associated Addendum.

7.9.3 Channel Interfaces

The following channel interfaces (CIs) define the bandwidth and the provision of the audio signal(s) associated with a Video channel:

<u>CI</u>	<u>Audio Bandwidth</u>	<u>Provision</u>
2TV6-1	15kHz	1 Channel, diplexed
2TV6-2	15kHz	2 Channels, diplexed
2TV7-1	15kHz	1 Channel, diplexed

* The desired parameters are selected by the customer from the list of available parameters.

Issued: February 15, 2002

Issued By
Laurie A. Maffett

Effective: April 18, 2002 **Vice President Regulatory and Government Affairs**
Advice No.:

ACCESS SERVICES

CITIZENS TELECOMMUNICATIONS COMPANY OF NEVADA
180 S. Clinton Ave. Rochester, NY 14646
P.U.C.N. Tariff No. A-3

Original Sheet No. 7-67

SECTION NO. 7

7. Special Access Service (Cont'd)

7.9 Video Service (Cont'd)

7.9.3 Channel Interfaces (Cont'd)

<u>CI</u>	<u>Bandwidth</u>	<u>Provision</u>
2TV7-2	15kHz	2 Channels, diplexed
4TV6-5	5kHz	1 Channel, separate
4TV6-15	15kHz	1 Channel, separate
4TV7-5	5kHz	1 Channel, separate
4TV7-15	15kHz	1 Channel, separate
6TV6-5	5kHz	2 Channels, separate
6TV6-15	15kHz	2 Channels, separate
6TV7-5	5kHz	2 Channels, separate
6TV7-15	15kHz	2 Channels, separate

Compatible channel interfaces are set forth in 15.3 following.

<u>Daily</u>	7.9.4 <u>Rates and Charges, ELKO DIVISION</u>	<u>(A) Channel Termination</u>	<u>Monthly</u>	<u>Daily*</u>	<u>Nonrecurring</u>	
			<u>Rate</u>	<u>Rate</u>	<u>Charge</u>	<u>Monthly</u>
		- Per Termination				
		- TV-1 or 2 <u>IntraLATA</u>	\$ 703.80	\$ 387.08	None	None
		<u>InterLATA</u>	1,960.87	1,078.46	None	None
		- 4TV-5 <u>IntraLATA</u>	686.67	377.67	None	None
		<u>InterLATA</u>	1,913.15	1,052.22	None	None
		- 6TV-5 <u>IntraLATA</u>	729.63	401.30	None	None
		<u>InterLATA</u>	2,032.84	1,118.08	None	None
		- TV-15 <u>IntraLATA</u>	757.31	416.51	None	None
		<u>InterLATA</u>	2,109.95	1,160.46	None	None
	(B)	<u>Channel Mileage</u>	<u>Monthly Rate</u>		<u>Daily Rate*</u>	
			<u>IntraLATA</u>	<u>InterLATA</u>	<u>IntraLATA</u>	<u>InterLATA</u>
		(1) <u>Channel Mileage Facility</u>				
		- Per Mile				
		- TV-1 or 2	\$644.62	\$1,796.00	\$354.54	\$ 987.79
		- 4TV-5	644.62	1,796.00	354.54	987.79
		- 6TV-5	644.62	1,796.00	354.54	987.79
		- TV-15	644.62	1,796.00	354.54	987.79
		(2) <u>Channel Mileage Termination</u>				
		- Per Termination				
		- TV-1 or 2	\$686.60	\$1,912.94	\$377.63	\$1,052.12
		- 4TV-5	686.60	1,912.94	377.63	1,052.12
		- 6TV-5	686.60	1,912.94	377.63	1,052.12
		- TV-15	686.60	1,912.94	377.63	1,052.12

*Daily rates will be topped and maximum rates derived as set forth in 7.2.3(B) preceding.

Issued: February 15, 2002

Issued By

Laurie A. Maffett

Effective: April 18, 2002 **Vice President Regulatory and Government Affairs**
Advice No.:

ACCESS SERVICES

CITIZENS TELECOMMUNICATIONS COMPANY OF NEVADA
180 S. Clinton Ave. Rochester, NY 14646
P.U.C.N. Tariff No. A-3

Original Sheet No. 7-68

SECTION NO. 7

7. Special Access Service (Cont'd)

7.9 Video Service (Cont'd)

7.9.4 Rates and Charges, TONOPAH DIVISION

		<u>Monthly</u>	<u>Daily*</u>	<u>Nonrecurring</u>	
		<u>Rate</u>	<u>Rate</u>	<u>Charge</u>	
				<u>Monthly</u>	<u>Daily</u>
(A)	<u>Channel Termination</u>				
	- Per Termination				
	- TV-1 or 2 <u>IntraLATA</u>	\$ 697.64	\$ 383.69	None	None
	<u>InterLATA</u>	828.42	455.62	None	None
	- 4TV-5 <u>IntraLATA</u>	680.66	374.36	None	None
	<u>InterLATA</u>	808.26	444.54	None	None
	- 6TV-5 <u>IntraLATA</u>	723.25	397.79	None	None
	<u>InterLATA</u>	858.83	472.36	None	None
	- TV-15 <u>IntraLATA</u>	750.68	412.87	None	None
	<u>InterLATA</u>	891.40	490.27	None	None
(B)	<u>Channel Mileage</u>	<u>Monthly Rate</u>		<u>Daily Rate*</u>	
		<u>IntraLATA</u>	<u>InterLATA</u>	<u>IntraLATA</u>	<u>InterLATA</u>
(1)	<u>Channel Mileage Facility</u>				
	- Per Mile				
	- TV-1 or 2	\$638.98	\$758.77	\$351.44	\$ 417.32
	- 4TV-5	638.98	758.77	351.44	417.32
	- 6TV-5	638.98	758.77	351.44	417.32
	- TV-15	638.98	758.77	351.44	417.32
(2)	<u>Channel Mileage Termination</u>				
	- Per Termination				
	- TV-1 or 2	\$680.59	\$808.17	\$374.33	\$444.50
	- 4TV-5	680.59	808.17	374.33	444.50
	- 6TV-5	680.59	808.17	374.33	444.50
	- TV-15	680.59	808.17	374.33	444.50

*Daily rates will be topped and maximum rates derived as set forth in 7.2.3(B) preceding.

Issued: February 15, 2002

Issued By
Laurie A. Maffett

Effective: April 18, 2002 **Vice President Regulatory and Government Affairs**
Advice No.:

ACCESS SERVICES

CITIZENS TELECOMMUNICATIONS COMPANY OF NEVADA
d/b/a Frontier Communications of Nevada
180 S. Clinton Ave. Rochester, NY 14646
P.U.C.N. Tariff No. A-3

7th Revised Sheet No. 7-69
Cancels 6th Revised Sheet No. 7-69

SECTION NO. 7

7. Special Access Service (Cont'd)

7.10 Nevada Universal Service Fund (NUSF) Surcharge

7.10.I. General

The Nevada Universal Service Fund (NUSF) Surcharge applies to the Company's intrastate retail revenues.

7.10.2 Rate Regulations

In accordance with Docket No. 18-08028, the Nevada Universal Service Fund (NUSF) Surcharge will be changed to a rate of 0.2827% of all billed intrastate retail services. The rate will remain in effect until otherwise ordered by the Commission.

(T)
(I)

The following surcharge percentages will be applied to intrastate retail telecommunications service charges on customer's bills:

Beginning January 1, 2019 0.2827%

(T)(I)

The assessment percentage is determined annually by the Commission based on the recommendation of the NUSF administrator. The amount of the surcharge billed will be rounded to the nearest cent. The surcharge will appear as a separate line/entry on the Company's portion of the customer's bill.

7.11 Digital Data Service

7.11.1 Basic Channel Description

A Digital Data channel is a channel for duplex four-wire transmission of synchronous serial data at the rate of 2.4, 4.8, 9.6, or 56 kbps. The actual bit rate is a function of the channel interface selected by the customer. The channel provides a synchronous service with timing provided by the Telephone Company through the Telephone Company's facilities to the customer in the received bit stream. Digital Data channels are only available via Telephone Company designated hubs and are provided between customer designated premises or between a customer designated premises and a Telephone Company hub.

The customer may provide the Channel Service Unit-type equipment or other Network Channel Terminating Equipment associated with the Digital Data channel at the customer premises. The interim program for interconnection of such equipment is set forth in Technical Reference PUB AS No. 1.

Issued: November 21, 2018

Issued By
Allison Ellis
Senior Vice President
Regulatory Affairs

Effective: January 1, 2019

Advice No.: NV_19_03

ACCESS SERVICES

CITIZENS TELECOMMUNICATIONS COMPANY OF NEVADA
d/b/a Frontier Communications of Nevada
180 S. Clinton Ave. Rochester, NY 14646
P.U.C.N. Tariff No. A-3

1st Revised Sheet No. 7-70
Cancels Original Sheet No. 7-70

SECTION NO. 7

7. Special Access Service (Cont'd)

7.11 Digital Data Service (Cont'd)

7.11.2 Technical Specifications Packages

Package D-

<u>Parameter</u>	1	2	3	4
Error-Free Seconds	X	X	X	X

The Telephone Company will provide a channel capable of meeting a monthly average performance equal to or greater than 99.875% error-free seconds (if provided through a Digital Data hub) while the channel is in service, if it is measured through a CSU equivalent which is designed, manufactured, and maintained to conform with the specifications contained in Technical Reference PUB 62310.

Voltages which are compatible with Digital Data Service are delineated in Technical Reference PUB 62507.

7.11.3 Channel Interfaces

The following channel interfaces (CIs) define the bit rates that are available for a Digital Data channel:

<u>CI</u>	<u>Bit Rate</u>
DU-24	2.4 kbps
DU-48	4.8 kbps
DU-96	9.6 kbps
DU-56	56.0 kbps

Compatible channel interfaces are set forth in 15.3 following.

(M) Item 7.11.2 relocated from Sheet No. 7-69.

(M) Item 7.11.4 relocated to Sheet No. 7.71.

Issued: December 31, 2013

Effective: January 1, 2014

Advice No.: NV-13-13

Issued By
Kenneth Mason
Vice President
Government and Regulatory Affairs

(M)

(M)

(M)

(M)

(N)

(N)

ACCESS SERVICES

CITIZENS TELECOMMUNICATIONS COMPANY OF NEVADA
d/b/a Frontier Communications of Nevada
180 S. Clinton Ave. Rochester, NY 14646
P.U.C.N. Tariff No. A-3

1st Revised Sheet No. 7-71
Cancels Original Sheet No. 7-71

SECTION NO. 7

7. Special Access Service (Cont'd)

7.11 Digital Data Service (Cont'd)

7.11.4 Optional Features and Functions

(T)

(A) Central Office Bridging Capability

(M)

(B) Transfer Arrangement

An arrangement that affords the customer an additional measure of protection and/or flexibility in the use of their access channel(s) on a 1xN basis. The arrangement can be utilized to transfer a leg of a Special Access Service to either a spare or working channel that terminates in either the same or a different customer designated premises. This arrangement is only available at a Telephone Company designated hub. A key-activated or dial-up control service is required to operate the transfer arrangement. A spare channel, if required, is not included as a part of the option.

(C) Public Packet Switching Network (PPSN) Interface Arrangement

An arrangement that provides the interface requirements that permit a Digital Data Service to interface with a Public Packet Switching Network packet switch located in a Telephone Company premises. The interface is compatible with X.25 and X.75 packet switching protocols as defined by the CCITT.

(M)

The following table shows the technical specifications packages with which the optional features and functions are available.

	<u>Available with Technical Specifications Package D</u>			
	1	2	3	4
Central Office Bridging Capability	X	X	X	X
PPSN Interface Transfer Arrangement	X	X	X	X
Transfer Arrangement	X	X	X	X

(M) Item 7.11.4 relocated from Sheet No. 7.70.

(N)

Issued: December 31, 2013

Issued By
Kenneth Mason
Vice President

Effective: January 1, 2014

Government and Regulatory Affairs

Advice No.: NV-13-13

ACCESS SERVICES

CITIZENS TELECOMMUNICATIONS COMPANY OF NEVADA
180 S. Clinton Ave. Rochester, NY 14646
P.U.C.N. Tariff No. A-3

Original Sheet No. 7-72

SECTION NO. 7

7. Special Access Service (Cont'd)

7.11 Digital Data Service (Cont'd)

7.11.5 Rates and Charges, ELKO DIVISION

(A) <u>Channel Termination</u>	<u>Monthly Rate</u>		<u>Nonrecurring Charge</u>	
	<u>IntraLATA</u>	<u>InterLATA</u>	<u>IntraLATA</u>	<u>InterLATA</u>
- Per termination				
- 2.4 kbps	\$127.97	\$356.53	\$270.56	\$ 753.81
- 4.8 kbps	127.97	356.53	270.56	753.81
- 9.6 kbps	127.97	356.53	270.56	753.81
- 56.0 kbps	187.97	523.69	409.49	1,140.90

(1) <u>Inside Wire Recovery Charge</u>	<u>Monthly Rate</u>	
- Per Channel Termination where	<u>IntraLATA</u>	<u>InterLATA</u>
inside wiring is provided by the Telephone Company in conjunction with special access lines	\$9.14	\$25.47

(B) Channel Mileage

(1) <u>Channel Mileage Facility</u>	<u>Monthly Rate</u>	
- Per Mile	<u>IntraLATA</u>	<u>InterLATA</u>
- 2.4 kbps	\$ 3.55	\$ 9.88
- 4.8 kbps	3.55	9.88
- 9.6 kbps	3.46	9.63
- 56.0 kbps	6.47	18.03

(2) <u>Channel Mileage Termination</u>		
- Per Termination	<u>IntraLATA</u>	<u>InterLATA</u>
- 2.4 kbps	\$164.51	\$ 458.35
- 4.8 kbps	164.51	458.35
- 9.6 kbps	191.13	532.50
- 56.0 kbps	363.65	1,013.16

Issued: February 15, 2002

**Issued By
Laurie A. Maffett**

Effective: April 18, 2002 Vice President Regulatory and Government Affairs
Advice No.:

ACCESS SERVICES

CITIZENS TELECOMMUNICATIONS COMPANY OF NEVADA
180 S. Clinton Ave. Rochester, NY 14646
P.U.C.N. Tariff No. A-3

Original Sheet No. 7-73

SECTION NO. 7

7. Special Access Service (Cont'd)

7.11 Digital Data Service (Cont'd)

7.11.5 Rates and Charges (Cont'd)

(C) <u>Optional Features and Functions</u>	<u>Monthly Rate</u>	
	<u>IntraLATA</u>	<u>InterLATA</u>
(1) <u>Bridging</u> - Per port	\$43.45	\$121.07
(2) <u>Loop Transfer Arrangement</u> (Key-activated* or Dial-Up**) -Per four port arrangement***	10.90	30.36
(3) <u>Public Packet Switching</u> <u>Network Interface Arrangement</u> - Per 9.6 kbps arrangement	ICB	ICB
- Per 56.0 kbps arrangement	ICB	ICB
(D) <u>Channel Service Unit****</u> - Per Termination where provided		
- 2.4 kbps	30.00	83.58
- 4.8 kbps	32.06	89.34
- 9.6 kbps	33.64	93.72
- 56.0 kbps	35.04	97.64

* The key-activated control channel is rated as a Metallic Channel Termination and Channel Mileage, if applicable.

** The Dial-Up option requires the customer to purchase the Controller Arrangement from 13.3.8 following.

*** An additional Channel Termination charge will apply whenever a spare channel is configured as a leg to the customer's premises. Additional Channel Mileage charges will also apply when the transfer arrangement is not located in the customer premises serving wire center.

**** Channel Service Units will only be provided under tariff if they existed in the Telephone Company's inventory as of November 18, 1983.

Issued: February 15, 2002

Issued By
Laurie A. Maffett

Effective: April 18, 2002 **Vice President Regulatory and Government Affairs**
Advice No.:

ACCESS SERVICES

CITIZENS TELECOMMUNICATIONS COMPANY OF NEVADA
180 S. Clinton Ave. Rochester, NY 14646
P.U.C.N. Tariff No. A-3

Original Sheet No. 7-74

SECTION NO. 7

7. Special Access Service (Cont'd)

7.11 Digital Data Service (Cont'd)

7.11.5 Rates and Charges TONOPAH DIVISION

(A) <u>Channel Termination</u>	<u>Monthly Rate</u>		<u>Nonrecurring Charge</u>	
	<u>IntraLATA</u>	<u>InterLATA</u>	<u>IntraLATA</u>	<u>InterLATA</u>
- Per termination				
- 2.4 kbps	\$126.85	\$150.63	\$268.19	\$ 318.47
- 4.8 kbps	126.85	150.63	268.19	318.47
- 9.6 kbps	126.85	150.63	268.19	318.47
- 56.0 kbps	186.32	221.25	405.91	482.00

(1) <u>Inside Wire Recovery Charge</u>	<u>Monthly Rate</u>	
- Per Channel Termination where	<u>IntraLATA</u>	<u>InterLATA</u>
inside wiring is provided by the Telephone Company in conjunction with special access lines	\$9.06	\$10.76

(B) Channel Mileage

(1) <u>Channel Mileage Facility</u>	<u>Monthly Rate</u>	
- Per Mile	<u>IntraLATA</u>	<u>InterLATA</u>
- 2.4 kbps	\$ 3.52	\$ 4.17
- 4.8 kbps	3.52	4.17
- 9.6 kbps	3.42	4.07
- 56.0 kbps	6.41	7.62

(2) <u>Channel Mileage Termination</u>		
- Per Termination		
- 2.4 kbps	\$163.07	\$ 193.64
- 4.8 kbps	163.07	193.64
- 9.6 kbps	189.46	224.97
- 56.0 kbps	360.46	428.04

Issued: February 15, 2002

**Issued By
Laurie A. Maffett**

Effective: April 18, 2002 Vice President Regulatory and Government Affairs
Advice No.:

ACCESS SERVICES

CITIZENS TELECOMMUNICATIONS COMPANY OF NEVADA
180 S. Clinton Ave. Rochester, NY 14646
P.U.C.N. Tariff No. A-3

Original Sheet No. 7-75

SECTION NO. 7

7. Special Access Service (Cont'd)

7.11 Digital Data Service (Cont'd)

7.11.5 Rates and Charges (Cont'd) TONOPAH DIVISION

(C) <u>Optional Features and Functions</u>	<u>Monthly Rate</u>	
	<u>IntraLATA</u>	<u>InterLATA</u>
(1) <u>Bridging</u> - Per port	\$43.07	\$51.15
(2) <u>Loop Transfer Arrangement</u> (Key-activated* or Dial-Up**) -Per four port arrangement***	10.80	12.82
(3) <u>Public Packet Switching</u> <u>Network Interface Arrangement</u> - Per 9.6 kbps arrangement	ICB	ICB
- Per 56.0 kbps arrangement	ICB	ICB
(D) <u>Channel Service Unit****</u> - Per Termination where provided		
- 2.4 kbps	29.74	35.31
- 4.8 kbps	31.78	37.74
- 9.6 kbps	33.34	39.59
- 56.0 kbps	34.74	41.25

* The key-activated control channel is rated as a Metallic Channel Termination and Channel Mileage, if applicable.

** The Dial-Up option requires the customer to purchase the Controller Arrangement from 13.3.8 following.

*** An additional Channel Termination charge will apply whenever a spare channel is configured as a leg to the customer's premises. Additional Channel Mileage charges will also apply when the transfer arrangement is not located in the customer premises serving wire center.

**** Channel Service Units will only be provided under tariff if they existed in the Telephone Company's inventory as of November 18, 1983.

Issued: February 15, 2002

Issued By
Laurie A. Maffett

Effective: April 18, 2002 **Vice President Regulatory and Government Affairs**
Advice No.:

ACCESS SERVICES

CITIZENS TELECOMMUNICATIONS COMPANY OF NEVADA
180 S. Clinton Ave. Rochester, NY 14646
P.U.C.N. Tariff No. A-3

Original Sheet No. 7-76

SECTION NO. 7

7. Special Access Service (Cont'd)

7.12 High Capacity Service

7.12.1 Basic Channel Description

A High Capacity channel is a channel for the transmission of nominal 64.0 kbps* or 1.544, 3.152, 6.312, 44.736, or 274.176 Mbps isochronous serial data. The actual bit rate is a function of the channel interface selected by the customer. High Capacity channels are provided between customer designated premises or between a customer designated premises and a Telephone Company hub.

The customer may provide the Network Channel Terminating Equipment associated with the High Capacity channel at the customer's premises. The interim program for interconnection of such equipment is set forth in Technical Reference PUB AS No. 1.

7.12.2 Technical Specifications Packages

Parameters	Package HC-					
	0	1	1C	2	3	4
Error-Free Seconds		X				

A channel with technical specifications package HC1 will be capable of an error-free second performance of 98.75% over a continuous 24 hour period as measured at the 1.544 Mbps rate through a CSU equivalent which is designed, manufactured, and maintained to conform with the specifications contained in Technical Reference PUB 62411.

* Available only as a channel of a 1.544 Mbps facility to a Telephone Company Digital Data hub or as a cross connect of two 2.4, 4.8, 9.6, 56.0 or 64.0 kbps channels of two 1.544 Mbps facilities to a Digital Data hub(s). The customer must provide system and channel assignment data.

ACCESS SERVICES

CITIZENS TELECOMMUNICATIONS COMPANY OF NEVADA
180 S. Clinton Ave. Rochester, NY 14646
P.U.C.N. Tariff No. A-3

Original Sheet No. 7-77

SECTION NO. 7

7. Special Access Service (Cont'd)

7.12 High Capacity Service (Cont'd)

7.12.3 Channel Interfaces

The following channel interfaces (CIs) define the bit rates that are available for a High Capacity channel:

CI	Bit Rate
DS-15*	1.544 Mbps (DS1)
DS-27	274.176 Mbps (DS4)
DS-31	3.152 Mbps (DS1C)
DS-44	44.736 Mbps (DS3)
DS-63	6.312 Mbps (DS2)

Compatible channel interfaces are set forth in 15.3 following.

7.12.4 Optional Features and Functions

(A) Automatic Loop Transfer

The Automatic Loop Transfer provides protection on a 1xN basis against failure of the facilities between a customer designated premises and the wire center serving that premises. Protection is furnished through the use of a switching arrangement that automatically switches to a spare channel line when a working line fails. The spare channel is not included as a part of the option. This option requires compatible equipment at both the serving wire center and the customer premises. The customer is responsible for providing the equipment at its premises. Equipment at the customer premises will be provided under tariff only if it existed in the Telephone Company inventory as of November 18, 1983.

(B) Transfer Arrangement

An arrangement that affords the customer an additional measure of flexibility in the use of their access channel(s). The arrangement can be utilized to transfer a leg of a Special Access Service to either a spare or working channel that terminates in either the same or a different customer premises.

* A 64.0 kbps channel is available as a channel(s) of a 1.544 Mbps channel to a Telephone Company hub.

ACCESS SERVICES

CITIZENS TELECOMMUNICATIONS COMPANY OF NEVADA
180 S. Clinton Ave. Rochester, NY 14646
P.U.C.N. Tariff No. A-3

Original Sheet No. 7-78

SECTION NO. 7

7. Special Access Service (Cont'd)

7.12 High Capacity Service (Cont'd)

7.12.4 Optional Features and Functions (Cont'd)

(B) Transfer Arrangement (Cont'd)

A key-activated or dial-up control service is required to operate the transfer arrangement. A spare channel, if required, is not included as part of the option.

(C) Central Office Multiplexing

(1) DS4 to DS1

An arrangement that converts a 274.176 Mbps channel to 168 DS1 channels using digital time division multiplexing.

(2) DS3 to DS1

An arrangement that converts a 44.736 Mbps channel to 28 DS1 channels using digital time division multiplexing.

(3) DS2 to DS1

An arrangement that converts a 6.312 Mbps channel to four DS1 channels using digital time division multiplexing.

(4) DS1C to DS1

An arrangement that converts a 3.152 Mbps channel to two DS1 channels using digital time division multiplexing.

(5) DS1 to Voice

An arrangement that converts a 1.544 Mbps channel to 24 channels for use with Voice Grade Services. A channel at this DS1 to the Hub can also be used for a Digital Data Service.

ACCESS SERVICES

CITIZENS TELECOMMUNICATIONS COMPANY OF NEVADA
180 S. Clinton Ave. Rochester, NY 14646
P.U.C.N. Tariff No. A-3

Original Sheet No. 7-79

SECTION NO. 7

7. Special Access Service (Cont'd)

7.12 High Capacity Service (Cont'd)

7.12.4 Optional Features and Functions (Cont'd)

(C) Central Office Multiplexing (Cont'd)

(6) DS1 to DS0

An arrangement that converts a 1.544 Mbps channel to 23 64.0 kbps channels utilizing digital time division multiplexing.

(7) DS0 to Subrate

An arrangement that converts a 64.0 kbps channel to subspeeds of up to twenty 2.4 kbps, ten 4.8 kbps, or five 9.6 kbps channels using digital time division multiplexing.

The following table shows the technical specifications packages with which the optional features and functions are available.

	Available with Technical Specifications Package HC-					
	0	1	1C	2	3	4
Automatic Loop Transfer		X				
Central Office Multiplexing:						
DS4 to DS1						X
DS3 to DS1					X	
DS2 to DS1				X		
DS1C to DS1			X			
DS1 to Voice		X				
DS1 to DS0		X				
DS0 to Subrate*	X					
Transfer Arrangement		X				

ACCESS SERVICES

CITIZENS TELECOMMUNICATIONS COMPANY OF NEVADA
180 S. Clinton Ave. Rochester, NY 14646
P.U.C.N. Tariff No. A-3

Original Sheet No. 7-80

SECTION NO. 7

7. Special Access Service (Cont'd)

7.12 High Capacity Service (Cont'd)

7.12.5 Rates and Charges ELKO DIVISION

(A) <u>Channel Termination</u>	<u>Monthly Rate</u>		<u>Nonrecurring Charge</u>	
	<u>IntraLATA</u>	<u>InterLATA</u>	<u>IntraLATA</u>	<u>InterLATA</u>
- Per termination	\$351.14	\$978.32	\$659.94	\$1,838.68
- 1.544 Mbps	ICB	ICB	ICB	ICB
- 3.152 Mbps	ICB	ICB	ICB	ICB
- 6.312 Mbps	ICB	ICB	ICB	ICB
- 44.736 Mbps	ICB	ICB	ICB	ICB
- 274.176 Mbps	ICB	ICB	ICB	ICB

(B) <u>Channel Mileage</u>	<u>Monthly Rate</u>	
	<u>IntraLATA</u>	<u>InterLATA</u>
(1) <u>Channel Mileage Facility</u>		
- Per Mile		
- 64 kbps*	\$ 2.08	\$ 5.81
- 1.544 Mbps	51.46	143.38
- 3.152 Mbps	ICB	ICB
- 6.312 Mbps	ICB	ICB
- 44.736 Mbps	ICB	ICB
- 274.176 Mbps	ICB	ICB
(2) <u>Channel Mileage Termination</u>		
- Per Termination		
- 64 kbps*	\$ 28.66	\$ 79.86
- 1.544 Mbps	287.32	800.51
- 3.152 Mbps	ICB	ICB
- 6.312 Mbps	ICB	ICB
- 44.736 Mbps	ICB	ICB
- 274.176 Mbps	ICB	ICB

* Applies to through connections of 2.4, 4.8, 9.6, 56.0 and 64 kbps.
 ICB rates and charges are filed in 7.13 following.

Issued: February 15, 2002

**Issued By
 Laurie A. Maffett**

**Effective: April 18, 2002 Vice President Regulatory and Government Affairs
 Advice No.:**

ACCESS SERVICES

CITIZENS TELECOMMUNICATIONS COMPANY OF NEVADA
180 S. Clinton Ave. Rochester, NY 14646
P.U.C.N. Tariff No. A-3

Original Sheet No. 7-81

SECTION NO. 7

7. Special Access Service (Cont'd)

7.12 High Capacity Service (Cont'd)

7.12.5 Rates and Charges (Cont'd) ELKO DIVISION

(C)	<u>Optional Features and Functions</u>	<u>Monthly Rate</u>	
		<u>IntraLATA</u>	<u>InterLATA</u>
(1)	<u>Multiplexing, per arrangement</u>		
	DS4 to DS1	ICB	ICB
	DS3 to DS1	ICB	ICB
	DS2 to DS1	ICB	ICB
	DS1C to DS1	ICB	ICB
	DS1 to Voice *	\$ 581.32	\$1,619.62
	DS1 TO DS0	1,007.87	2,808.04
	DS0 to Subrates		
	- Up to 20 2.4 kbps services	824.25	2,296.47
	- Up to 10 4.8 kbps services	424.83	1,183.63
	- Up to 5 9.6 kbps services	295.35	822.87

* A channel of this DS1 to the Hub can be used for Digital Data service.
ICB rates and charges are filed in 7.13 following.

Issued: February 15, 2002

Issued By
Laurie A. Maffett

Effective: April 18, 2002 Vice President Regulatory and Government Affairs
Advice No.:

ACCESS SERVICES

CITIZENS TELECOMMUNICATIONS COMPANY OF NEVADA
180 S. Clinton Ave. Rochester, NY 14646
P.U.C.N. Tariff No. A-3

Original Sheet No. 7-82

SECTION NO. 7

7. Special Access Service (Cont'd)

7.12 High Capacity Service (Cont'd)

7.12.5 Rates and Charges (Cont'd) ELKO DIVISION

		Monthly Rate	
		IntraLATA	InterLATA
(C)	<u>Optional Features and Functions (Cont'd)</u>		
(2)	<u>Automatic Loop Transfer</u> - Per arrangement*	\$ 709.85	\$1,977.73
(3)	<u>Transfer Arrangement (key-activated** or dial-up***)</u> - Per four port arrangement including control channel termination ****	301.64	840.39
(D)	<u>Network Channel Terminating Equipment (NCTE)#</u> - Per termination where provided		
	- 1.544 Mbps	154.86	431.45
	- Automatic Loop Transfer	1,634.34	4,553.46

* An additional Channel Termination charge will apply whenever the spare line is provided as a leg to the customer premises.

** The key-activated control channel is rated as a Metallic Channel Termination and Channel Mileage, if applicable.

*** The Dial-up option requires the customer to purchase the Controller Arrangement from 13.3.8 following.

**** An additional Channel Termination charge will apply whenever a spare channel is configured as a leg to the customers premises. Additional channel mileage charges will also apply when the transfer arrangement is not located in the customer premises serving wire center.

NCTE will only be provided under tariff if it existed in the Telephone Company's inventory.

Issued: February 15, 2002

Issued By
Laurie A. Maffett

Effective: April 18, 2002 Vice President Regulatory and Government Affairs
Advice No.:

ACCESS SERVICES

CITIZENS TELECOMMUNICATIONS COMPANY OF NEVADA
180 S. Clinton Ave. Rochester, NY 14646
P.U.C.N. Tariff No. A-3

Original Sheet No. 7-83

SECTION NO. 7

7. Special Access Service (Cont'd)

7.12 High Capacity Service (Cont'd)

7.12.5 Rates and Charges, TONOPAH DIVISION

(A) <u>Channel Termination</u>	<u>Monthly Rate</u>		<u>Nonrecurring Charge</u>	
	<u>IntraLATA</u>	<u>InterLATA</u>	<u>IntraLATA</u>	<u>InterLATA</u>
- Per termination	\$348.07	\$413.32	\$654.17	\$776.80
- 1.544 Mbps	ICB	ICB	ICB	ICB
- 3.152 Mbps	ICB	ICB	ICB	ICB
- 6.312 Mbps	ICB	ICB	ICB	ICB
- 44.736 Mbps	ICB	ICB	ICB	ICB
- 274.176 Mbps	ICB	ICB	ICB	ICB

(B) <u>Channel Mileage</u>	<u>Monthly Rate</u>	
	<u>IntraLATA</u>	<u>InterLATA</u>
(1) <u>Channel Mileage Facility</u>		
- Per Mile		
- 64 kbps*	\$ 2.07	\$ 2.45
- 1.544 Mbps	51.01	60.57
- 3.152 Mbps	ICB	ICB
- 6.312 Mbps	ICB	ICB
- 44.736 Mbps	ICB	ICB
- 274.176 Mbps	ICB	ICB
(2) <u>Channel Mileage Termination</u>		
- Per Termination		
- 64 kbps*	\$ 28.41	\$ 33.74
- 1.544 Mbps	284.81	338.20
- 3.152 Mbps	ICB	ICB
- 6.312 Mbps	ICB	ICB
- 44.736 Mbps	ICB	ICB
- 274.176 Mbps	ICB	ICB

* Applies to through connections of 2.4, 4.8, 9.6, 56.0 and 64 kbps.
 ICB rates and charges are filed in 7.13 following.

Issued: February 15, 2002

**Issued By
 Laurie A. Maffett**

**Effective: April 18, 2002 Vice President Regulatory and Government Affairs
 Advice No.:**

ACCESS SERVICES

CITIZENS TELECOMMUNICATIONS COMPANY OF NEVADA
180 S. Clinton Ave. Rochester, NY 14646
P.U.C.N. Tariff No. A-3

Original Sheet No. 7-84

SECTION NO. 7

7. Special Access Service (Cont'd)

7.12 High Capacity Service (Cont'd)

7.12.5 Rates and Charges (Cont'd) TONOPAH DIVISION

(C)	<u>Optional Features and Functions</u>	<u>Monthly Rate</u>	
		<u>IntraLATA</u>	<u>InterLATA</u>
(1)	<u>Multiplexing, per arrangement</u>		
	DS4 to DS1	ICB	ICB
	DS3 to DS1	ICB	ICB
	DS2 to DS1	ICB	ICB
	DS1C to DS1	ICB	ICB
	DS1 to Voice *	\$ 576.23	\$684.25
	DS1 TO DS0	999.05	1,186.33
	DS0 to Subrates		
	- Up to 20 2.4 kbps services	817.04	970.20
	- Up to 10 4.8 kbps services	421.11	500.06
	- Up to 5 9.6 kbps services	292.76	347.64

* A channel of this DS1 to the Hub can be used for Digital Data service.
ICB rates and charges are filed in 7.13 following.

Issued: February 15, 2002

Issued By
Laurie A. Maffett

Effective: April 18, 2002 Vice President Regulatory and Government Affairs
Advice No.:

ACCESS SERVICES

CITIZENS TELECOMMUNICATIONS COMPANY OF NEVADA
180 S. Clinton Ave. Rochester, NY 14646
P.U.C.N. Tariff No. A-3

Original Sheet No. 7-85

SECTION NO. 7

7. Special Access Service (Cont'd)

7.12 High Capacity Service (Cont'd)

7.12.5 Rates and Charges (Cont'd) TONOPAH DIVISION

		<u>Monthly Rate</u>	
		<u>IntraLATA</u>	<u>InterLATA</u>
(C)	<u>Optional Features and Functions</u> (Cont'd)		
(2)	<u>Automatic Loop Transfer</u> - Per arrangement*	\$ 703.64	\$835.54
(3)	<u>Transfer Arrangement (key-activated** or dial-up***)</u> - Per four port arrangement including control channel termination ****	299.00	355.05
(D)	<u>Network Channel Terminating Equipment (NCTE)#</u> - Per termination where provided		
	- 1.544 Mbps	153.50	182.28
	- Automatic Loop Transfer	1,620.04	1,923.73

*An additional Channel Termination charge will apply whenever the spare line is provided as a leg to the customer premises.

** The key-activated control channel is rated as a Metallic Channel Termination and Channel Mileage, if applicable.

*** The Dial-up option requires the customer to purchase the Controller Arrangement from 13.3.8 following.

**** An additional Channel Termination charge will apply whenever a spare channel is configured as a leg to the customers premises. Additional channel mileage charges will also apply when the transfer arrangement is not located in the customer premises serving wire center.

NCTE will only be provided under tariff if it existed in the Telephone Company's inventory.

Issued: February 15, 2002

**Issued By
Laurie A. Maffett**

**Effective: April 18, 2002 Vice President Regulatory and Government Affairs
Advice No.:**

ACCESS SERVICES

CITIZENS TELECOMMUNICATIONS COMPANY OF NEVADA
180 S. Clinton Ave. Rochester, NY 14646
P.U.C.N. Tariff No. A-3

Original Sheet No. 7-86

SECTION NO. 7

7. Special Access Service (Cont'd)

7.13 Individual Case Filings

Rates and charges for Special Access Service provided on an individual case basis.

Issued: February 15, 2002

Issued By
Laurie A. Maffett

Effective: April 18, 2002 **Vice President Regulatory and Government Affairs**
Advice No.:

SECTION NO. 8

8. **Billing and Collection Services***

The Telephone Company will provide the following services:

- (A) Recording Service,
- (B) Message Billing Service, and
- (C) Billing System Information Service

8.1 **Recording Service**

The Telephone Company will provide Recording Service in association with the offering of Feature Groups C and D Switched Access Service for customer messages that can be recorded by Telephone Company provided automatic message accounting equipment. In addition, where the Telephone Company records the customer messages on manual tickets, the Telephone Company will provide Recording Service for the manual tickets and at offices where the Telephone Company provides Feature Group A Switched Access Service and has the ability to record the Feature Group A call detail with automatic message accounting equipment and mark the recorded call detail as Feature Group A call detail for a specific customer, the Telephone Company will provide Recording Service for Feature Group A Switched Access Service.

The Telephone Company will provide Recording Service in its operating territory. The minimum territory for which the Telephone Company will provide Recording Service is all the appropriately equipped offices in a state operating territory for which the customer has ordered Feature Group A, C or D Switched Access Service.

8.1.1 **General Description**

Recording Service is the recording of the details of a customer message and, when requested by the customer, the provision of those details to the customer. Recording Service includes recording, assembly and editing, and provision of recorded customer message detail.

Recording is the entering on magnetic tape or other acceptable media the details of customer messages originated through Switched Access Service for which answer and disconnect supervision has been received. Recording is provided 24 hours a day, 7 days a week.

* Intrastate billing and collection services are offered on a bundled or group basis. The service consists of recording, message processing, inquiry, message billed service, number of bills rendered, CMDS I and CMDS II services. Minimum and Maximum order quantities do not apply.

SECTION NO. 8

8. Billing and Collection Services

8.1 Recording Service (Cont'd)

8.1.1 General Description (Cont'd)

Assembly and editing is the aggregation of the recorded customer message details to create individual messages and the verification that the data required for rating, in accordance with the standard format established by the Telephone Company, is present.

Provision of customer message detail is the provision of magnetic tapes containing the assembled and edited customer message detail where available and when requested by the customer, data-transmitting the assembled and edited customer message detail to the customer, sorting the message detail, and providing name and address information for the message detail. Except for lost or damaged records, the recorded detail will be available to the customer not more than five business days after the date all the detail requested by the customer was processed by the Telephone Company.

8.1.2 Undertaking of the Telephone Company

- (A) The Telephone Company will record all customer messages, which are accessible by the Telephone Company provided recording equipment. Unavailable customer messages (i.e., certain Feature Group C operator and TSPS messages which are not accessible by Telephone Company provided recording equipment or operators) will not be recorded. The recording equipment will be provided at locations selected by the Telephone Company. Assembly and editing will be performed on all customer messages recorded during the billing period established by the Telephone Company.
- (B) A standard format for the provision of the recorded customer message detail will be established by the Telephone Company and provided to the customer. If, in the course of Telephone Company business, it is necessary to change the format, the Telephone Company will notify the involved customers six months prior to the change.
- (C) Upon request, sorted or unsorted customer message detail will be provided to the customer in accordance with the customer specifications.

SECTION NO. 8

8. Billing and Collection Services (Cont'd)

8.1 Recording Service (Cont'd)

8.1.2 Undertaking of the Telephone Company (Cont'd)

(C) (Cont'd)

This information will only be provided to the extent that it is available in the Telephone Company data bases. Upon request, name and address information will be provided to the customer.

Upon request, sorting will be provided in accordance with the specifications the customer provides when it orders recorded customer message detail. The information necessary to sort the recorded message detail must be available in the Telephone Company records or be provided by the customer. If the sorting is to be performed using information which is confidential due to legal, national security, end user or regulatory imposed requirements, the information will not be used unless the customer secures written permission from the end user for the Telephone Company to use such information.

When available, the name and address information will be provided for the calling number shown in the recorded customer message detail. If the name and address information for a specific calling number is confidential due to legal, national security, end user or regulatory imposed requirements, the name and address information will not be used unless the customer secures written permission from the end user for the Telephone Company to use the information.

(D) Where available and requested by the customer, recorded customer message details with or without sorting and with or without names and addresses will be provided on magnetic tape. The magnetic tapes will be provided without the return of previously supplied tapes. The Telephone Company will supply the magnetic tapes. Unless specified otherwise by the customer, the magnetic tapes will be sent to the customer via first class U.S. Mail service. However, the customer may pick up the magnetic tapes at a location designated by the Telephone Company or request that the detail on the magnetic tapes be data-transmitted to the customer.

SECTION NO. 8

8. Billing and Collection Services (Cont'd)

8.1 Recording Service (Cont'd)

8.1.2 Undertaking of the Telephone Company (Cont'd)

- (E) Recorded customer message detail which is used to provide Message Processing and Message Bill Processing Service is retained by the Telephone Company for no longer than 45 days. The rated message detail is retained for reference (i.e. on paper or microfiche) in place of the recorded customer message detail. The Telephone Company will make every reasonable effort to recover recorded customer message detail not used in Message Processing Service. The charges as set forth in 8.4.1(D) following will apply for all such detail provided. When these recorded customer message details are data-transmitted to a customer premise, the data transmission charges 8.4.1(E) will apply. Such a request must be made within 30 days from the date the details were initially made available to the customer.
- (F) Program Development charges, as set forth in 8.4.1(F) following, apply for the hours required to design, develop, test and maintain the necessary programs to provide customer requested data or accommodate customer provided changes.

8.1.3 Liability of the Telephone Company

Notwithstanding 2.1.3 preceding, the Telephone Company liability for Recording Service is as follows:

- (A) If customer message detail is not available because the Telephone Company lost or damaged tapes or incurred recording system outages, the Telephone Company will estimate the volume of lost customer messages and associated revenue based on previously known values. This estimated customer message volume will be included along with the customer message detail provided to the customer and/or provided for Message Processing Service. In such events the extent of the Telephone Company's liability for damages shall be limited to the granting of a corresponding credit adjustment to the customer amounts due to account for the unbillable revenue.

ACCESS SERVICES

CITIZENS TELECOMMUNICATIONS COMPANY OF NEVADA
180 S. Clinton Ave. Rochester, NY 14646
P.U.C.N. Tariff No. A-3

Original Sheet No. 8-5

SECTION NO. 8

8. Billing and Collection Services (Cont'd)

8.1 Recording Service (Cont'd)

8.1.3 Liability of the Telephone Company (Cont'd)

- (B) When the Telephone Company is notified that, due to error or omission, incomplete data have been provided to a customer, the Telephone Company will make every reasonable effort to locate and/or recover the data and provide new magnetic tapes to the customer at no additional charge. Such request to recover the data must be made within 30 days from the date the details were initially made available to the customer. If the data can not be recovered, the extent of the Telephone Company's liability for damages shall be limited as set forth in (A) preceding.
- (C) In the absence of willful misconduct, no liability for damages to the customer or other person or entity other than as set forth in (A) and (B) preceding shall attach to the Telephone Company for its action or the conduct of its employees in providing Recording Service.

8.1.4 Obligations of the Customer

- (A) The customer shall order Recording Service under a Special Order. The customer shall order Recording Service at least one month prior to the date when the customer message detail is to be recorded.
- (B) The customer shall order, under a Special Order, provision of recorded customer message detail without sorting or name and address information at least one month prior to the date when it wishes to receive the recorded message detail. Any change in the provision of recorded customer message detail without sorting and name and address information to the customer will be accommodated provided the customer gives two weeks advance written notification to the Telephone Company.
- (C) The premises of the ordering customer shall provide such signals as may be required for the proper operation of the Telephone Company's automatic message accounting equipment used to perform the detail recordings.

Issued: February 15, 2002

Issued By
Laurie A. Maffett

Effective: April 18, 2002 Vice President Regulatory and Government Affairs
Advice No.:

SECTION NO. 8**8. Billing and Collection Services (Cont'd)****8.1 Recording Service (Cont'd)****8.1.5 Payment Arrangements and Audit Provision****(A) Audit Provision**

Audit provisions apply as specified in Section 3.6(E) preceding.

(B) Minimum Period and Minimum Monthly Charge

The minimum period for which Recording Service is provided is one month. The minimum monthly charges are the charges for each rate element ordered by the customer for a 30 day period. If the service is terminated prior to the completion of the initial months service, the Telephone Company will estimate the minimum charge for each rate element using the most recent data available.

(C) Cancellation of a Special Order

A customer may cancel a Special Order for Recording Service on any date prior to the service date. The cancellation date is the date the Telephone Company receives written or verbal notice from the customer that the Special Order is to be canceled. The verbal notice must be followed by written confirmation within 10 days. The service date for Recording Service is the date the customer requests the recordings to start.

When a customer cancels a Special Order for Recording Service after the order date but prior to the start of service, the minimum monthly charges will apply.

(D) Changes To Special Orders

When a customer requests material changes to a pending Special Order for Recording Service, the pending Special Order will be canceled and a new Special Order will be issued. Material changes to a pending Special Order for Recording Service include changes in the location and/or number of Telephone Company recording locations, changes in

SECTION NO. 8

8. Billing and Collection Services (Cont'd)

8.1 Recording Service (Cont'd)

8.1.5 Payment Arrangements and Audit Provision (Cont'd)

(D) Changes to Special Orders (Cont'd)

sorting parameters, provision of end user phone number and address, provision of data transmission to a customer location of customer recorded message detail, and changes in schedules, dates or intervals for receipt of customer recorded message detail. Non-material changes to a pending Special Order include changes in customer name, customer address and customer requests to receive Recording Service output at the Telephone Company location instead of through U.S. Mail. All cancellation charges as set forth in (C) preceding will apply for the canceled Special Order.

8.1.6 Rate Regulations

- (A) The Recording Service Special Order charge (8.4.1(B)) applies for each Special Order accepted by the Telephone Company for Recording Service.
- (B) When Recording Service and Message Processing Service are ordered for the same state and month, the assembling and editing charge (8.4.1(C)) does not apply. The charges for Recording (8.4.1(B)) and for assembly and editing (8.4.1(C)) apply per message recorded and per message assembled and edited.
- (C) When non-rated customer message detail is entered on a data file or magnetic tape for provision of message detail to a customer, the per tape charge applies for each data file or magnetic tape prepared, and the per record charge (8.4.1(D)) applies for each record processed. A record is a logical grouping of information as described in the programs that process the information. The Telephone Company will determine the charges based on the number of data files or magnetic tapes prepared and on its count of the records processed. The number of records processed will be determined using the number of records input to or the number of records output from the programs that process the information and load the magnetic tapes or data file,

SECTION NO. 8

8. Billing and Collection Services (Cont'd)

8.1 Recording Service (Cont'd)

8.1.6 Rate Regulations (Cont'd)

(C) (Cont'd)

whichever number of records is higher.

(D) The rates associated with Data Transmission (8.4.1(E)) apply when message detail is data transmitted to a customer location by the Telephone Company. This charge applies on a per record transmitted basis.

(E) The Program Development Charges as set forth in 8.4.1(F), apply on either a basic or premium basis when the Telephone Company is required to make programming changes to meet customer needs. The Telephone Company will keep a count of the hours and fraction thereof to provide program development and will bill the customer accordingly. The hours for each service ordered will be summed and then rounded to the nearest hour. When the total is less than one hour, a one hour minimum will be used to determine the charges.

(F) Individual Case Basis (ICB) rates and changes are contained in 8.5 following.

8.2 Message Billing Service

Message Billing Service consists of Message Processing Service and Bill Processing Service. A customer may order Message Processing Service or Bill Processing Service or both services.

Upon request the Telephone Company will provide Message Billing Service in its operating territory.

The Telephone Company will not render bills under this tariff for the provision and/or delivery of telegrams, flowers, gifts, wine or other like services that a customer offers.

8.2.1 General Description

(A) Message Processing Service

SECTION NO. 8

8. Billing and Collection Services (Cont'd)

8.2. Message Billing Service (Cont'd)

8.2.1 General Description (Cont'd)

(A) Message Processing Service (Cont'd)

Message Processing Service is the transforming of the recorded customer call details into rated messages in preparation for billing. Message Processing Service includes initial data entry and rating of messages.

Initial data entry is the assembly of recorded customer call details into customer messages. This function includes editing and verification of recorded details to assure that the data required for rating are present.

Rating of customer messages is the computing of applicable charges for each customer message based on the customer provided schedule of rates. Rating also includes the preparation of customer message detail for input to Bill Processing Service, the customer, or other entities.

(B) Bill Processing Service

Bill Processing Service includes message-billed (when necessary) and bulk-billed account establishment, posting of rated messages and rate elements, preparation and rendering of bills, collection of deposits, receiving payments, maintenance of accounts, treatment of accounts, message investigation and inquiry (when ordered by the customer).

Message-billed service is a billing service for an end user account where individual customer messages are posted to the account and are listed on the bill rendered to the end user. This includes customer credit card end user accounts without an end user common line, or WATS Access Lines and WATS-type service access lines where individual messages or groups of messages are posted to the account and listed on the bill rendered to the end user.

Bulk-billed service is a billing service for an end user account with a WATS Access Line or WATS-type service access

ACCESS SERVICES

CITIZENS TELECOMMUNICATIONS COMPANY OF NEVADA
180 S. Clinton Ave. Rochester, NY 14646
P.U.C.N. Tariff No. A-3

Original Sheet No. 8-10

SECTION NO. 8

8. Billing and Collection Services (Cont'd)

8.2. Message Billing Service (Cont'd)

8.2.1 General Description (Cont'd)

(B) Bill Processing Service (Cont'd)

line where individual customer messages are not listed on the bill rendered to the end user.

Account establishment is the preparation of a customer's end user record so that a bill can be sent to that end user.

Posting is the examination and identification of all the rateable elements specified by the customer to be billed to an end user and the application of appropriate customer rates and charges. The rating may be performed by the Telephone Company, another entity or the customer. Rating is always performed and editing may be performed coincident with the implementation of a change in the customer's schedule of rates.

Rendering of bills is the preparation and mailing of statements of the deposits and amounts due from the end user for customer message-billed and bulk-billed services. These statements may, at Telephone Company choice, be included as part of the regular monthly bill for local telephone exchange service mailed to the end user.

Receiving payment and maintenance of accounts is the collecting of monies from end users for services furnished by the customer and maintenance of records of all transactions.

Treatment of accounts is the forwarding of notices of delinquent or unpaid end user accounts and posting of credits and adjustments.

Message investigation is that activity undertaken by the Telephone Company to secure, or attempt to secure, proper billing information for customer messages.

Inquiry is the answering of end user questions about charges billed for customer services, application of credits and adjustments to end user accounts, and review of customer messages removed from an end user's bill.

Issued: February 15, 2002

Issued By

Laurie A. Maffett

Effective: April 18, 2002

Vice President Regulatory and Government Affairs

Advice No.:

ACCESS SERVICES

CITIZENS TELECOMMUNICATIONS COMPANY OF NEVADA
180 S. Clinton Ave. Rochester, NY 14646
P.U.C.N. Tariff No. A-3

Original Sheet No. 8-11

SECTION NO. 8

8. Billing and Collection Services (Cont'd)

8.2. Message Billing Service (Cont'd)

8.2.2 Undertaking of the Telephone Company

(A) Message Processing Service

- (1) The Telephone Company will provide Message Processing Service only for customer messages originating or recorded within the operating territory of the Telephone Company. The customer messages to be processed may be customer messages from Recording Service as set forth in 8.1 preceding or other customer messages which are chargeable in accordance with the rate schedule furnished by the customer.

Any sent-paid coin messages provided as input by the customer will be processed unless the customer specifies in writing that such messages are not to be processed.

- (2) A record of customer call details is required to provide Message Processing Service. Where a customer subscribes to Recording Service as set forth in 8.1 preceding, those recorded details may be used as the input. Where the customer provides the call details, the records must be in the standard format established by the Telephone Company and delivered to the location specified by the Telephone Company. If the customer provided records must be converted by the Telephone Company to the standard format, and the Telephone Company agrees to make the conversion, program development charges apply for the hours required to design, develop, test and maintain the necessary programs. The Telephone Company will provide to the customer the precise details of the required standard format. If, in the course of Telephone Company business, it is necessary to change the standard format, the Telephone Company will provide notification to the involved customers six months prior to the change.
- (3) The Telephone Company will develop the customer's schedule of rates into a rating program. Program development charges, apply for the hours required to design, develop, test and maintain the necessary programs.

Issued: February 15, 2002

Issued By

Laurie A. Maffett

Effective: April 18, 2002

Vice President Regulatory and Government Affairs

Advice No.:

ACCESS SERVICES

CITIZENS TELECOMMUNICATIONS COMPANY OF NEVADA
180 S. Clinton Ave. Rochester, NY 14646
P.U.C.N. Tariff No. A-3

Original Sheet No. 8-12

SECTION NO. 8

8. Billing and Collection Services (Cont'd)

8.2. Message Billing Service (Cont'd)

8.2.2 Undertaking of the Telephone Company (Cont'd)

(A) Message Processing Service (Cont'd)

- (4) Upon acceptance by the Telephone Company of a Special Order for Message Processing Service from a customer, the Telephone Company will determine the period of time to implement such service on an individual order basis.
- (5) Changes in the rate levels of customer charges to be billed will normally be implemented within 30 days after receipt of a Special Order from the customer requesting such changes. Such changes will require modifications of the rating program. Program development charges apply for the hours required to design, develop, test and maintain the necessary program changes in addition to the End User Rate Element Rate Level Change charge.
- (6) Changes in the rate structure for customer services to be billed also require a change in the rating program. When the Telephone Company determines that it can accommodate the changes, the conditions and the period of time required to make such changes will be determined on an individual order basis. Program development charges apply for the hours required to design, develop, test and maintain the necessary program changes in addition to the End User Rate Element Rate Structure Change charge.
- (7) Where the Telephone Company has rated customer messages which are to be billed to an end user by another Exchange Telephone Company, the Telephone Company will enter the messages on a magnetic tape or data file which can be used for data transmission of the details. When the customer has so arranged with an involved Exchange Telephone Company, the Telephone Company will transmit the rated message details to such other Exchange Telephone Company for billing to end users in its operating territories. When the customer does not have billing arrangements with an Exchange Telephone Company, rated messages for billing to the end users of such an Exchange Telephone Company will be delivered to the customer.

Issued: February 15, 2002

Issued By

Laurie A. Maffett

Effective: April 18, 2002

Vice President Regulatory and Government Affairs

Advice No.:

ACCESS SERVICES

CITIZENS TELECOMMUNICATIONS COMPANY OF NEVADA
180 S. Clinton Ave. Rochester, NY 14646
P.U.C.N. Tariff No. A-3

Original Sheet No. 8-13

SECTION NO. 8

8. Billing and Collection Services (Cont'd)

8.2. Message Billing Service (Cont'd)

8.2.2 Undertaking of the Telephone Company (Cont'd)

(A) Message Processing Service (Cont'd)

(7) (Cont'd)

Program development charges apply for the hours required to design, develop, test and maintain the necessary programs to provide customer requested data or accommodate customer provided changes.

- (8) Customer messages which the Telephone Company processes that cannot be rated in accordance with the customer rate schedule will be reviewed by the Telephone Company. Upon completion of the review, rated customer messages will be delivered to the Bill Processing Service. Unrated messages will be handled in accordance with instructions that have been mutually determined by the Telephone Company and the customer.

(B) Bill Processing Service

- (1) When Bill Processing Service is ordered by a customer, the Telephone Company will establish and maintain end user accounts and prepare and render bills for all customer messages. End user accounts established by the Telephone Company will not reflect any previous balance due.

The Telephone Company will, in accordance with Telephone Company deposit regulations, determine and collect a deposit from the end user for the customer service.

The Telephone Company will, when necessary in accordance with the Telephone Company deposit regulations, maintain a service deposit balance for each end user account. Service deposits will not be maintained by individual customer accounts but will be maintained for the end user account in general. The Telephone Company will provide the customer a copy of its service deposit regulations upon request from the customer.

Issued: February 15, 2002

Issued By

Laurie A. Maffett

Effective: April 18, 2002

Vice President Regulatory and Government Affairs

Advice No.:

ACCESS SERVICES

CITIZENS TELECOMMUNICATIONS COMPANY OF NEVADA
180 S. Clinton Ave. Rochester, NY 14646
P.U.C.N. Tariff No. A-3

Original Sheet No. 8-14

SECTION NO. 8

8. Billing and Collection Services (Cont'd)

8.2. Message Billing Service (Cont'd)

8.2.2 Undertaking of the Telephone Company (Cont'd)

(B) Bill Processing Service (Cont'd)

- (2) The Telephone Company will provide Bill Processing Service for message-billed service and bulk-billed services which are posted to end user accounts located within the operating territory of the Telephone Company.
- (3) Rated customer messages are required to provide Bill Processing Service. If the customer subscribes to Message Processing Service as set forth in (A) preceding, the rated customer messages may be used as the input. If the customer provides the rated customer messages, those customer messages must be in the standard format established by the Telephone Company and delivered to the location specified by the Telephone Company.

Such customer provided rated message data must identify the end user account to be billed. If the customer provided rated messages must be converted by the Telephone Company to the standard format and the Telephone Company agrees to make the conversion, program development charges apply for the hours required to design, develop, test and maintain the necessary programs. The Telephone Company will provide to the customer the precise details of the required format. If, in the course of Telephone Company business, it is necessary to change the format, the Telephone Company will notify the involved customers six months prior to the change.

- (4) The Telephone Company will bill all rated customer messages provided by the customer to the customers end user. The bill format will be determined by the Telephone Company.

Issued: February 15, 2002

Issued By

Laurie A. Maffett

Effective: April 18, 2002

Vice President Regulatory and Government Affairs

Advice No.:

ACCESS SERVICES

CITIZENS TELECOMMUNICATIONS COMPANY OF NEVADA
180 S. Clinton Ave. Rochester, NY 14646
P.U.C.N. Tariff No. A-3

Original Sheet No. 8-15

SECTION NO. 8

8. Billing and Collection Services (Cont'd)

8.2. Message Billing Service (Cont'd)

8.2.2 Undertaking of the Telephone Company (Cont'd)

(B) Bill Processing Service (Cont'd)

- (5) Upon acceptance by the Telephone Company of a Special Order for Bill Processing Service the Telephone Company will determine the conditions and the period of time to implement such service.
- (6) Program development charges apply for hours required to design, develop, test and maintain necessary programs to provide customer requested data or accommodate customer provided changes.
- (7) The Telephone Company will, at the option of the customer, provide message-billed Bill Processing Service with or without inquiry and bulk-billed Bill Processing Service with or without inquiry. When the Telephone Company provides inquiry, the Telephone Company will be responsible for contacts and arrangements with the customer's end users concerning the billing, collecting, crediting and adjusting of the customer service charges, in accordance with written instructions furnished by the customer. When the Telephone Company provides Bill Processing Service without inquiry, all contacts from customer end users concerning the customer billed amounts will be referred to the customer. The Telephone Company will only be responsible for contacts with customer's end users concerning the collection of customer service deposits and charges. Inquiry will only be provided when the customer is provided Bill Processing Service at the same time for the same operating area.
- (8) The Telephone Company will accept customer gift certificates for payment from end users if the customer agrees in writing to redeem all such gift certificates. The format of the gift certificate must be acceptable to the Telephone Company.

Issued: February 15, 2002

Issued By

Laurie A. Maffett

Effective: April 18, 2002

Vice President Regulatory and Government Affairs

Advice No.:

ACCESS SERVICES

CITIZENS TELECOMMUNICATIONS COMPANY OF NEVADA
180 S. Clinton Ave. Rochester, NY 14646
P.U.C.N. Tariff No. A-3

Original Sheet No. 8-16

SECTION NO. 8

8. Billing and Collection Services (Cont'd)

8.2 Message Billing Service (Cont'd)

8.2.2 Undertaking of the Telephone Company (Cont'd)

(B) Bill Processing Service (Cont'd)

- (9) Rated customer messages input to Bill Processing Service which the Telephone Company cannot bill for any reason will be reviewed by the Telephone Company's message investigation groups. Upon completion of the review, the billable messages will be posted and the appropriate charges will apply. Unbillable messages will be handled in accordance with instructions that have been mutually determined by the Telephone Company and the customer.
- (10) The Telephone Company will post rated customer messages to the appropriate end user accounts. The Telephone Company will bill to an end user other customer message-billed service charges, such as provision of a credit card, issuing of a credit card, blocking of third number billing, time and rate charges, and subscription charges when it receives an order for such services from a customer. Other customer message-related charges, such as directory assistance and DIAL-IT charges, will be billed to the end user based on customer message data received from Message Processing Service or from the customer. The Telephone Company will make adjustments to end user balances due as a result of the credits authorized by customer inquiry instructions and customer furnished statements.
- (11) The Telephone Company will establish an end user account for customer bulk-billed service when it receives an order from a customer to perform such activity for a specific end user.

The Telephone Company will bill other customer bulk-billed rate elements, such as provision of a bulk-billed service access line, installation of an access line and provision of an access line extension, when it receives a Special Order for such services from a customer. Other customer

Issued: February 15, 2002

Issued By

Laurie A. Maffett

Effective: April 18, 2002

Vice President Regulatory and Government Affairs

Advice No.:

SECTION NO. 8**8. Billing and Collection Services (Cont'd)****8.2 Message Billing Service (Cont'd)****8.2.2 Undertaking of the Telephone Company (Cont'd)****(B) Bill Processing Service (Cont'd)****(11) (Cont'd)**

message-related charges for bulk-billed service, such as directory assistance and DIAL-IT charges, will be billed to the end user based on customer message data received from Message Processing Service or from the customer. The Telephone Company will make adjustments to end user balances due as a result of the credits authorized by customer inquiry instructions and customer furnished statements.

(C) Message Billing Service Ordering

(1) The Telephone Company will provide Message Billing Services under a Special Order. The Message Billing Service Special Order Charge will apply each time a service is ordered. The format of this Special Order will be specified by the Telephone Company.

(2) The Telephone Company will accept an end user account activity special order to (a) establish or change end user account data, (b) establish or change an end users account balance due, (c) establish or change end user account rate element rate levels and (d) change end user account rate element rate structure. The methods, procedures and manner in which the end user account data and changes are forwarded to the Telephone Company must be agreeable to the Telephone Company.

8.2.3 Liability of the Telephone Company

Notwithstanding 2.1.3 preceding, the Telephone Company liability for Message Billing Service is as follows:

ACCESS SERVICES

CITIZENS TELECOMMUNICATIONS COMPANY OF NEVADA
180 S. Clinton Ave. Rochester, NY 14646
P.U.C.N. Tariff No. A-3

Original Sheet No. 8-18

SECTION NO. 8

8. Billing and Collection Services (Cont'd)

8.2 Message Billing Service (Cont'd)

8.2.3 Liability of the Telephone Company (Cont'd)

- (A) If Bill Processing Service detail is not available because the Telephone Company lost or damaged records or incurred processing system outages, the Telephone Company will attempt to recover the lost customer detail. If the lost customer detail cannot be recovered and the Telephone Company recorded the details, the customer detail and the extent of the Telephone Company's liability for damages will be as set forth in 8.1.3(A) preceding. If the lost customer detail cannot be recovered and the customer provided the detail, the customer will be requested to resupply the detail. If the customer cannot resupply the detail, the detail and the extent of the Telephone Company's liability for damages will be as set forth in 8.1.3(A) preceding. This recovered detail will be included in message detail provided to the customer when the customer orders such service and any recovered customer messages will be billed.
- (B) When the Telephone Company is notified that, due to its error or omission, incomplete customer detail has been provided, as set forth in 8.2.2(A)(8) preceding and/or 8.3 following, to a customer, the Telephone Company will make a reasonable effort to recover and provide the customer detail to the customer at no additional charge. Such request to recover the customer detail must be made within 30 days from the date the customer detail was initially made available to the customer. If the detail cannot be recovered, the extent of the Telephone Company's liability for damages shall be limited as set forth in 8.1.3(A) preceding.
- (C) If the Telephone Company finds, or is notified of, an error in billing to an end user, it will make a reasonable effort to correct the error and bill the appropriate end user within the limits permitted by laws of the state in which it provides the service. If the error is caused by the Telephone Company and the Telephone Company cannot bill the proper end user in a timely manner, the extent of the Telephone Company's liability for damages will be the known amount misbilled or when the amount misbilled is unknown, limited as set forth in 8.1.3(A).

Issued: February 15, 2002

Issued By

Laurie A. Maffett

Effective: April 18, 2002

Vice President Regulatory and Government Affairs

Advice No.:

SECTION NO. 8

8. Billing and Collection Services (Cont'd)

8.2 Message Billing Service (Cont'd)

8.2.3 Liability of the Telephone Company (Cont'd)

- (D) In the absence of willful misconduct, no liability for damages to the customer or other person or entity other than as set forth in (A), (B) and (C) preceding shall attach to the Telephone Company for its action or the conduct of its employees in providing Message Billing Service.

8.2.4 Obligations of the Customer

- (A) The customer shall order Message Billing Services under a Special Order for each area where service is desired. The customer shall be responsible for all balances due from end users that exist prior to ordering Bill Processing Service.

At the time Message Processing Service, and/or Bill Processing Service is initially ordered, the customer shall order the service for 1 year. Not later than six months prior to the end of the order period, the customer shall notify the Telephone Company in writing if any service is to be discontinued at the end of the period. If no notice is received from the customer, the Telephone Company will automatically extend the services for another year, using the most recent 12 months of capacity provided. The customer will be notified by the Telephone Company when such an extension is made. All appropriate charges will apply for another year and the minimum charges will be based on the most recent 12 months of message capacity and/or bill capacity provided.

- (B) When Message Processing Service is ordered, the customer shall furnish the Telephone Company an annual estimate of the number of messages (message capacity), including those messages which will be bulk billed, to be processed for that order.

In addition, when Bill Processing Service is ordered, the customer shall furnish the Telephone Company an estimate of message-billed messages and bulk-billed messages. The capacity estimate for inquiry shall be the same as those provided for message-billed and/or bulk-billed messages, respectively.

ACCESS SERVICES

CITIZENS TELECOMMUNICATIONS COMPANY OF NEVADA
180 S. Clinton Ave. Rochester, NY 14646
P.U.C.N. Tariff No. A-3

Original Sheet No. 8-20

SECTION NO. 8

8. Billing and Collection Services (Cont'd)

8.2 Message Billing Service (Cont'd)

8.2.4 Obligations of the Customer (Cont'd)

- (C) The customer shall furnish all information necessary for the Telephone Company to provide the Message Billing Service, including any per month service charges applicable to an end user and an affidavit that states whether the customer service is subject to any Federal taxes and/or State taxes.
- (D) The customer shall furnish to the Telephone Company a written schedule of its rates and charges in a mutually agreeable time frame to allow the Telephone Company to establish a rating program.
- (E) The customer shall be responsible for all contact and arrangements with its end users concerning the provision and maintenance of the customer's service, including prior customer balances due from end users.
- (F) When the customer orders message-billed or bulk-billed Bill Processing Service with inquiry, the customer shall furnish to the Telephone Company written instructions, which are agreeable to the Telephone Company, for the handling of end user questions about bills.

When the customer orders message-billed or bulk-billed Bill Processing Service without inquiry, the customer shall furnish the Telephone Company with written instructions as to where inquiries are to be referred.

The customer shall notify its end users through its tariff or other appropriate means when the customer handles the bill inquiries. The customer shall furnish the Telephone Company in writing all end user bill adjustment statements.

- (G) The customer will immediately redeem all customer gift certificates the Telephone Company receives in payment for any end user charges. The customer agrees to use a gift certificate format which is agreeable to the Telephone Company.

Issued: February 15, 2002

Issued By

Laurie A. Maffett

Effective: April 18, 2002

Vice President Regulatory and Government Affairs

Advice No.:

SECTION NO. 8**8. Billing and Collection Services (Cont'd)****8.2 Message Billing Service (Cont'd)****8.2.4 Obligations of the Customer (Cont'd)**

- (H) The customer agrees to permit the Telephone Company to determine and collect customer service deposits from all customer's end users in accordance with the Telephone Company's deposit regulations. The customer will notify its end users through its tariffs or other means that the Telephone Company will determine and collect customer service deposits.
- (I) When the customer furnishes recorded customer detail for Message Processing Service and/or rated customer message detail for Bill Processing Service, it shall be responsible to deliver the detail to the location specified by the Telephone Company and it shall retain a copy of the detail furnished for at least 90 days.

8.2.5 Audit Provisions and Payment Arrangements**(A) Audit Provisions**

Audit Provisions apply as specified in Section 3.6(E) preceding.

(B) Minimum Period

The minimum period for which Message Billing Service is provided and for which charges apply is one year. A minimum period of 1 year applies for each additional period of service ordered.

If the service is discontinued prior to the end of the period ordered, monthly charges apply for each remaining month and fraction of a month. The monthly charge will be one-twelfth of the minimum yearly charge.

(C) Minimum Order Capacities and Minimum Period Charges

Message Billing Service is subject to minimum order

ACCESS SERVICES

CITIZENS TELECOMMUNICATIONS COMPANY OF NEVADA
180 S. Clinton Ave. Rochester, NY 14646
P.U.C.N. Tariff No. A-3

Original Sheet No. 8-22

SECTION NO. 8

8. Billing and Collection Services (Cont'd)

8.2 Message Billing Service (Cont'd)

8.2.5 Audit Provisions and Payment Arrangements (Cont'd)

(C) Minimum Order Capacities and Minimum Period Charges (Cont'd)

capacities and minimum period charges. The minimum order capacities are the message capacity and bill capacity as specified in (1) following. The minimum period charge is as specified in (2) following.

- (1) The minimum period bill capacity for message-billed messages and bulk-billed messages will be determined separately based on the estimates the customer furnishes as set forth in 8.2.4(B) preceding. The minimum period capacity ordered for each year for inquiry shall be the same as that for message-billed and/or bulk-billed messages.
- (2) For Message Processing Service, the minimum period charge is the product of the message capacity per year furnished by the customer as set forth in 8.2.4(B) and the appropriate Message Processing Service rate times 0.9.

For Bill Processing Service, the minimum period charge is the product of the message-billed message capacity and/or bulk-billed message capacity per year furnished by the customer as set forth in 8.2.4(B) preceding and the appropriate Bill Processing Service message-billed and/or bulk-billed rate times 0.9. The minimum period charge for message-billed messages and bulk-billed messages will be determined separately based on the estimates the customer furnishes as set forth in 8.2.4(B) preceding.

For inquiry, the minimum period charge for message-billed inquiry and bulk-billed inquiry will be determined separately. For message-billed inquiry, the minimum period charge is the product of the message-billed message capacity for the year furnished by the customer as set forth in 8.2.4(B) preceding and

Issued: February 15, 2002

Issued By
Laurie A. Maffett

Effective: April 18, 2002 Vice President Regulatory and Government Affairs
Advice No.:

SECTION NO. 8

8. Billing and Collection Services (Cont'd)

8.2 Message Billing Service (Cont'd)

8.2.5 Audit Provisions and Payment Arrangements (Cont'd)

(C) Minimum Order Capacities and Minimum Period Charges (Cont'd)

(2) (Cont'd)

the appropriate message-billed inquiry rate times 0.9. For bulk-billed inquiry, the minimum period charge is the product of the bulk-billed message capacity for the year furnished by the customer as set forth in 8.2.4(B) preceding and the appropriate bulk-billed inquiry rate times 0.9.

(D) Cancellation of a Special Order

A customer may cancel a Special Order for Message Billing Service on any date prior to the service date. The cancellation date is the date the Telephone Company receives written or verbal notice from the customer that the Special Order is to be canceled. The verbal notice must be followed by written confirmation within 10 days. The service date for Message Billing Service is the date the customer and the Telephone Company mutually agree the service is to start.

When a customer cancels a Special Order for Message Billing Service after the order date, but prior to the start of service, a charge equal to the Special Order charge, program development costs and any non-recoverable capital costs incurred by the Telephone Company will apply to the customer.

(E) Changes to Special Orders

When a customer requests changes to a pending Special Order for Message Billing Service, such changes will be undertaken if they can be accommodated by the Telephone Company. A charge equal to any costs incurred by the Telephone Company because of the change will apply.

ACCESS SERVICES

CITIZENS TELECOMMUNICATIONS COMPANY OF NEVADA
180 S. Clinton Ave. Rochester, NY 14646
P.U.C.N. Tariff No. A-3

Original Sheet No. 8-24

SECTION NO. 8

8. Billing and Collection Services (Cont'd)

8.2 Message Billing Service (Cont'd)

8.2.6 Rate Regulations

- (A) The Message Billing Service Special Order charge (8.4.2(A)) applies for each Special Order for Message Processing Service and/or Bill Processing Service, other than establishment of or changes to end user account data, establishment of or changes to end user account rate levels and changes to end user balances due.
- (B) The Message Processing Service message charges (8.4.2(B)) apply during the yearly period ordered by the customer.
- (C) During any yearly period in which the actual customer messages processed exceeds the maximum message capacity, an additional charge applies for each customer message processed that exceeds 110 percent of the message capacity ordered for the year. This additional Message Processing charge, which is equal to the Message Processing rate 8.4.2(B)), applies to all messages above the message capacity ordered and the allowance specified.
- (D) Bill Processing Service charges (8.4.2(C)) apply during the yearly period ordered by the customer.
 - (1) The Message/Bulk Billed processing charge (8.4.2(C)(1)) applies for each Message Billed and/or Bulk Billed message that is processed to the message billing file.
 - (2) The Message/Bulk Billed inquiry charge (8.4.2(C)(2)) applies for each Message Billed and/or Bulk Billed message that is processed to the message billing file.
- (E) During any yearly period in which the actual customer messages billed exceeds the maximum message capacity, an additional charge applies for each customer message processed that exceeds 110 percent of the message capacity ordered for the year. This additional Bill Processing charge, which is equal to the Bill Processing Rate (8.4.2(C)(1)), applies to all message above the message capacity ordered and the

Issued: February 15, 2002

Issued By

Laurie A. Maffett

Effective: April 18, 2002

Vice President Regulatory and Government Affairs

Advice No.:

ACCESS SERVICES

CITIZENS TELECOMMUNICATIONS COMPANY OF NEVADA
180 S. Clinton Ave. Rochester, NY 14646
P.U.C.N. Tariff No. A-3

Original Sheet No. 8-25

SECTION NO. 8

8. Billing and Collection Services (Cont'd)

8.2 Message Billing Service (Cont'd)

8.2.6 Rate Regulations (Cont'd)

(E) (Cont'd)

allowance specified. The customer, at its option, may order additional capacity. When more than one order exists at the same time for a customer, the capacity for determination of the additional capacity charge is defined as the sum of the prorated portions for each order for the calendar year.

(1) For Message/Bulk Billed Processing, message capacity is defined as Message and/or Bulk Billed messages processed.

(2) For Message/Bulk Billed Inquiry, charges will apply for the same capacity that additional charges apply for Message and/or Bulk Billed processing.

(F) The Message-Billed Service charge per bill rendered (8.4.2(D)) applies each month that one or more messages or related rate elements are billed to an end user. When both interstate and state customer messages are billed by the Telephone Company to the end user on the same bill, the Message Billed Service charge times 0.5 applies each month. When more than one copy of the end user bill is provided to the end user, the Message-Billed Service charge applies for each additional copy of the end user bill provided.

(G) A Bulk-Billed Service charge per bill rendered (8.4.2(D)) applies each month that one or more bulk-billed charges are billed to an end user. When both interstate and state customer bulk-billed charges are billed by the Telephone Company to the end user on the same bill, the Bulk-Billed Service Charge times 0.5 applies each month. When more than one copy of the end user bill is provided to the end user, the Bulk-Billed Service charge applies for each additional copy of the end user bill provided.

Issued: February 15, 2002

Issued By

Laurie A. Maffett

Effective: April 18, 2002

Vice President Regulatory and Government Affairs

Advice No.:

ACCESS SERVICES

CITIZENS TELECOMMUNICATIONS COMPANY OF NEVADA
180 S. Clinton Ave. Rochester, NY 14646
P.U.C.N. Tariff No. A-3

Original Sheet No. 8-26

SECTION NO. 8

8. Billing and Collection Services (Cont'd)

8.2 Message Billing Service (Cont'd)

8.2.6 Rate Regulations (Cont'd)

- (H) The Program Development charges (8.4.2(E)) apply on either a basic or premium basis when the Telephone Company is required to make programming changes to meet customer needs.

The Telephone Company will keep a count of the hours and fraction thereof to provide program development and will bill the customer accordingly. The hours for each service ordered will be summed and then rounded to the nearest hour. When the total is less than one hour, a one hour minimum will be used to determine the charges.

- (I) The rate associated with Data Transmission of rated customer message detail between other Exchange Telephone Company locations (8.4.2(F)) applies when message detail is data transmitted to or received from another Exchange Telephone Company location by the Telephone Company. This charge applies on a per record transmitted or received basis. A record is a logical grouping of information as described in the program that processes the information.
- (J) The End User Account Activity charges (8.4.2(G)) apply whenever a customer requests end user account activity.

An End User account is a record for message-billed service or a bulk-billed service which has a unique name and address and billing identification number, assigned by the Telephone Company, to which a bill is rendered.

- (1) The End User Account Activity Special Order charge (8.4.2(G)(1)) applies whenever the customer furnishes to the Telephone Company end user account information that establishes an account or changes the rate element, rate levels, rate element structure, or balance due associated with an end user account.
- (2) The End User Account Establishment or Change Charge (8.4.2(G)(2)) applies whenever customer furnished information is used by the Telephone Company to

Issued: February 15, 2002

Issued By

Laurie A. Maffett

Effective: April 18, 2002

Vice President Regulatory and Government Affairs

Advice No.:

ACCESS SERVICES

CITIZENS TELECOMMUNICATIONS COMPANY OF NEVADA
180 S. Clinton Ave. Rochester, NY 14646
P.U.C.N. Tariff No. A-3

Original Sheet No. 8-27

SECTION NO. 8

8. Billing and Collection Services (Cont'd)

8.2 Message Billing Service (Cont'd)

8.2.6 Rate Regulations (Cont'd)

(J) (Cont'd)

(2) (Cont'd)

establish or change end user account data. This charge does not apply to end user account rate element rate level changes, rate element rate structure changes, and adjustments to end user account balance.

In addition, the End User Account Establishment or Change charge does not apply when rated customer messages are posted to a message-billed account associated with an end user common line. The End User Account Establishment or Change charge applies when the Telephone Company, at the request of a customer, establishes or changes a message-billed account with a credit card but without an associated end user common line.

(3) The Adjustment to End User Account Balance charge (8.4.2(G)(3)), applies whenever customer furnished information is used by the Telephone Company to change an end users account balance. The charge applies per end user account, per adjustment.

(4) The End User Account Rate Element Rate Level Change charge (8.4.2(G)(4)) applies whenever customer furnished information is used by the Telephone Company to change an end user account rate element rate level. The charge applies for each end user account rate element rate level changed.

(5) The End User Account Rate Element Rate Structure Change charge (8.4.2(G)(5)) applies whenever customer furnished information is used by the Telephone Company to change an End Users rate structure. This charge applies for each end user account on a per rate element changed basis.

Issued: February 15, 2002

Issued By

Laurie A. Maffett

Effective: April 18, 2002

Vice President Regulatory and Government Affairs

Advice No.:

SECTION NO. 8

8. Billing and Collection Services (Cont'd)

8.2 Message Billing Service (Cont'd)

8.2.6 Rate Regulations (Cont'd)

(K) Message Toll Sampling charges (8.4.2(H)) apply when records are entered on a data file or magnetic tape in order to provide toll sampling information to a customer, a record is a logical grouping of information as described in the programs that process the information. The number of records output from the programs that process the information will be used to determine the charges. The per tape charge applies for each tape prepared.

(L)

(M) The Provision of Local Exchange Company Originating Messages Summary charge (8.4.2(I)) applies when message toll detail is summarized in a customer specified report type format provided on either a data file, magnetic tape or paper. This charge is in addition to any required program development charges and/or tape charges and applies per report prepared.

A standard format for the provision of the originating messages summary will be established by the customer and provided to the Telephone Company. If changes in the format become necessary, the customer will notify the Telephone Company six months prior to the change.

(N) Individual Case Basis (ICB) rates and charges are contained in 8.5 following.

SECTION NO. 8**8. Billing and Collection Services (Cont'd)****8.3 Billing System Information Service**

At the request of the customer, the Telephone Company will provide information to the customer from its End User records, billing files and account data base.

8.3.1 General Description

Billing System Information Service is the provision of information to the customer from Telephone Company record systems. Such Billing Information Service will be limited to the provision of information to a customer relating exclusively to End User services provided by that customer. Information relating to services provided by any other entity will not be provided.

Information is defined as any entry in the records which is not listed as proprietary to the Telephone Company. Any entry listed as proprietary to the Telephone Company will not be provided.

8.3.2 Undertaking of the Telephone Company

(A) Upon request from a customer who has also ordered Bill Processing Service, the Telephone Company will provide information from its records as follows:

- (1) message detail for a message end user
- (2) account detail for a message end user

Message detail is message-billed records in exchange message record (EMR) format.

Account detail is data that furnishes the end user name, billing address and billing parameters.

Message detail and/or account detail which is confidential due to legal, national security, end user or other appropriate requirements will not be provided. If the customer requires this information in order to bill its services, it shall secure written permission from the end user to obtain the information from the Telephone Company. The customer shall furnish the Telephone Company the end user's written permission for the information to be released.

ACCESS SERVICES

CITIZENS TELECOMMUNICATIONS COMPANY OF NEVADA
180 S. Clinton Ave. Rochester, NY 14646
P.U.C.N. Tariff No. A-3

Original Sheet No. 8-30

SECTION NO. 8

8. Billing and Collection Services (Cont'd)

8.3 Billing System Information Service (Cont'd)

8.3.2 Undertaking of the Telephone Company (Cont'd)

(B) Billing System Information will be provided on a total file and/or file update basis as follows:

- (1) The total file output will contain end user information for the current billing period. The billing period will be set by the Telephone Company. The magnetic tapes will be provided without the return of previously supplied tapes. The Telephone Company will supply the magnetic tapes.

Once available, the paper printout, magnetic tape or fiche will be sent to the customer via first class U.S. Mail service. At the option of the customer, the customer may pick up the paper printout, magnetic tape or fiche at a location designated by the Telephone Company or request the information be data-transmitted to the customer.

- (2) The file update output will contain end user information for the current billing period only. The current billing period is the period associated with the most recent bill rendered to an end user. The magnetic tapes will be provided without the return of previously supplied tapes. The Telephone Company will supply magnetic tapes. The file updates will include those records added and those records deleted, if available.

Once available, the magnetic tape will be sent to the customer via first class U.S. Mail service. At the option of the customer, the customer may pick up the paper output, fiche or magnetic tape at a location designated by the Telephone Company or request the information be data-transmitted to the customer.

- (C) The Telephone Company will, at the request of the customer, mark any message-billed message end user account, as a user of the customer's message services. After marking is ordered, the end user account will be marked as a customer end user account at the time the first message is posted to the end user account.

Issued: February 15, 2002

Issued By

Laurie A. Maffett

Effective: April 18, 2002

Vice President Regulatory and Government Affairs

Advice No.:

SECTION NO. 8

8. Billing and Collection Services (Cont'd)

8.3 Billing System Information Service (Cont'd)

8.3.2 Undertaking of the Telephone Company (Cont'd)

- (D) Upon acceptance by the Telephone Company of a Special Order for Billing System Information Service, the Telephone Company will determine the period of time to implement such service on an individual order basis.

8.3.3 Liability of the Telephone Company

Notwithstanding 2.1.3 preceding, in the absence of willful misconduct, no liability for damages to the customer or other person or entity shall attach to the Telephone Company for its action or the conduct of its employees in providing Billing Information Service.

8.3.4 Obligations of the Customer

- (A) The customer shall order Billing System Information Service under a Special Order. The customer shall order those Billing System Information Services for the states where it wishes to receive the services and shall specify how often it wishes the service to be provided.
- (B) With each order, the customer shall identify the authorized individual and address to receive the Billing System Information Service output.
- (C) The customer shall take every effort to make sure that Billing System Information Service output is provided only to authorized personnel. The customer shall agree, in writing to the Telephone Company, that the customer will not provide the Billing System Information Service outputs to third parties for any use by such third parties except for work for the customer and which is under complete control of the customer.
- (D) The customer shall be responsible for all contacts and inquiries from its end users concerning Billing System Information Service.

ACCESS SERVICES

CITIZENS TELECOMMUNICATIONS COMPANY OF NEVADA
180 S. Clinton Ave. Rochester, NY 14646
P.U.C.N. Tariff No. A-3

Original Sheet No. 8-32

SECTION NO. 8

8. Billing and Collection Services (Cont'd)

8.3 Billing System Information Service (Cont'd)

8.3.4 Obligations of the Customer (Cont'd)

- (E) When the customer orders marking, all accounts containing that customer's messages will be marked starting with the next bill period and marks will be made until the customer orders removal of all marks.

8.3.5 Payment Arrangements

(A) Cancellation of a Special Order

A customer may cancel a Special Order for Billing System Information Service on any date prior to the service date. The cancellation date is the date the Telephone Company receives written or verbal notice from the customer that the Special Order is to be canceled. The verbal notice must be followed by written confirmation within 10 days. The service date for a Billing System Information Service is the date the Telephone Company notifies the customer that the Telephone Company is ready to provide Billing System Information Service reports.

When a customer cancels a Special Order for Billing System Information Service after the order date but prior to the start of service, charges as listed following shall apply:

- (1) For any service, the appropriate per hour rate for all hours expended by the Telephone Company to provide the service.
- (2) For any service, any expense for equipment obtained for the service where such equipment cannot be reused within six months.

(B) Changes to Special Orders

When a customer requests changes for a pending Special Order for Billing System Information Service, any additional time required on the part of Telephone Company personnel will be billed to the customer at the appropriate hourly charges.

Issued: February 15, 2002

Issued By

Laurie A. Maffett

Effective: April 18, 2002

Vice President Regulatory and Government Affairs

Advice No.:

ACCESS SERVICES

CITIZENS TELECOMMUNICATIONS COMPANY OF NEVADA
180 S. Clinton Ave. Rochester, NY 14646
P.U.C.N. Tariff No. A-3

Original Sheet No. 8-33

SECTION NO. 8

8. Billing and Collection Services (Cont'd)

8.3 Billing System Information Service (Cont'd)

8.3.6 Rate Regulations

- (A) The Provision of Billing System Information Service Special Order Charge (8.4.3(A)) applies for each Special Order accepted by the Telephone Company for Billing System Information Service.
- (B) Billing System Information Detail Charges (8.4.3(B)) apply when records are entered on a data file or magnetic tape in order to provide information to a customer. A record is a logical grouping of information as described in the programs that process the information. For each service and type of output ordered, the number of records processed by the Telephone Company to prepare the output will be used to determine the charges. The number of records processed will be determined using the number of records input to or the number of records output from the programs that process the information, whichever number of records is higher. The per tape charge applies for each tape prepared.
- (C) The Program Development Charges (8.4.3(C)) apply on either a basic or premium basis when the Telephone Company is required to make programming changes to meet customer needs. The Telephone Company will keep a count of the hours and fraction thereof to provide program development and will bill the customer accordingly. The hours will be summed and then rounded to the nearest hour. When the total is less than one hour, a one hour minimum will be used to determine the charges.
- (D) The rate associated with Data Transmission of Billing System Information Service details to a location designated by the customer (8.4.3(D)) applies when Billing System Information Service detail is data transmitted to a location designated by the customer by the Telephone Company. This charge applies on a per record transmitted basis.
- (E) The marking of message End User Accounts charge (8.4.3(E)) applies for each end user account marked. No charge applies for the removal of all customer marks.
- (F) Individual Case Basis (ICB) rates and charges are contained in 8.5 following.

Issued: February 15, 2002

Issued By

Laurie A. Maffett

Effective: April 18, 2002

Vice President Regulatory and Government Affairs

Advice No.:

ACCESS SERVICES

CITIZENS TELECOMMUNICATIONS COMPANY OF NEVADA
180 S. Clinton Ave. Rochester, NY 14646
P.U.C.N. Tariff No. A-3

Original Sheet No. 8-34

SECTION NO. 8

8. Billing and Collection Services (Cont'd)

8.4 Rates and Charges, ELKO DIVISION

8.4.1 Recording Service

The rates and charges are:

	<u>Monthly Rate</u>	
	<u>IntraLATA</u>	<u>InterLATA</u>
(A) <u>Combined Billing and Collection Service*</u>	\$2349	\$1644
(B) <u>Recording,</u>		
- per customer message	\$ **	\$ **
- per Special Order	\$29.74	\$19.05
(C) <u>Assembling and editing,</u>		
- per customer message	\$ **	\$ **
(D) <u>Provision of customer</u>		
<u>message detail</u>		
- per record processed	ICB	ICB
- per tape or data file	ICB	ICB
(E) <u>Data transmission to a</u>		
<u>customer location,</u>		
- per record transmitted	ICB	ICB

* Includes recording, message processing, inquiry, message billed service, number of bills rendered, CMDS I and CMDS II services as described herein.

** Included in Combined Billing and Collection Service rate.

Issued: February 15, 2002

Issued By

Laurie A. Maffett

Effective: April 18, 2002

Vice President Regulatory and Government Affairs

Advice No.:

ACCESS SERVICES

CITIZENS TELECOMMUNICATIONS COMPANY OF NEVADA
180 S. Clinton Ave. Rochester, NY 14646
P.U.C.N. Tariff No. A-3

Original Sheet No. 8-35

SECTION NO. 8

8. Billing and Collection Services (Cont'd)

8.4 Rates and Charges (Cont'd) ELKO DIVISION

8.4.1 Recording Service (Cont'd)

Monthly Rates
IntraLATA InterLATA

The rates and charges are:

(E) <u>Program Development</u>		
- Basic, per hour (applicable to work performed within the Telephone Company's normal work schedule and using the normal work force)	\$69.11	\$44.28
- Premium, per hour (applicable to work performed outside the Telephone Company's normal work schedule and/or which requires additions to the work force)	\$95.84	\$61.40

8.4.2 Message Billing Service

Monthly Rates
IntraLATA InterLATA

The rates and charges are:

(A) <u>Message Billing Service Special Order Charge,</u> - per Special Order	\$29.74	\$19.05
(B) <u>Message Processing Service,</u> per message	**	**
(C) <u>Bill Processing Service</u>		
(1) <u>message/bulk-billed processing,</u> - per message	**	**
(2) <u>message/bulk-billed inquiry,</u> - per message	**	**

** Included in Combined Billing and Collection Service rate under 8.4.1(A) preceding.

Issued: February 15, 2002

Issued By
Laurie A. Maffett

Effective: April 18, 2002 Vice President Regulatory and Government Affairs
Advice No.:

ACCESS SERVICES

CITIZENS TELECOMMUNICATIONS COMPANY OF NEVADA
180 S. Clinton Ave. Rochester, NY 14646
P.U.C.N. Tariff No. A-3

Original Sheet No. 8-36

SECTION NO. 8

8. Billing and Collection Services (Cont'd)

8.4 Rates and Charges (Cont'd) ELKO DIVISION

8.4.2 Message Billing Service (Cont'd)

Monthly Rates
IntraLATA InterLATA

The rates and charges are:

(D) <u>Message/Bulk Billed Service, in which one or more messages or message service related rate elements are billed, or in which a charge associated with a bulk billed service is billed,</u>		
- per bill rendered for an end user account	**	**
(E) <u>Program Development,</u>		
- Basic, per hour (applicable to work performed within the Telephone Company's normal work schedule and using the normal work force)	\$69.11	\$44.28
- Premium, per hour (applicable to work performed outside the Telephone Company's normal work schedule and/or which requires additions to the work force)	\$95.84	\$61.40
(F) <u>Data transmission of rated customer messages detail between other Exchange Telephone Company locations,</u>		
- per record transmitted	**	**
- per record received	**	**

** Included in Combined Billing and Collection Service Rate under 8.4.1(A) preceding.

Issued: February 15, 2002

**Issued By
Laurie A. Maffett**

Effective: April 18, 2002 Vice President Regulatory and Government Affairs
Advice No.:

ACCESS SERVICES

CITIZENS TELECOMMUNICATIONS COMPANY OF NEVADA
180 S. Clinton Ave. Rochester, NY 14646
P.U.C.N. Tariff No. A-3

Original Sheet No. 8-37

SECTION NO. 8

8. Billing and Collection Services (Cont'd)

8.4 Rates and Charges (Cont'd) ELKO DIVISION

8.4.2 Message Billing Service (Cont'd)

Monthly Rates
IntraLATA InterLATA

The rates and charges are:

(G)	<u>End User Account Activity,</u>		
	(1) <u>Special Order Charge to receive end user account data,</u>	\$29.74	\$19.05
	(2) <u>End User Account Establishment or Change, except adjustments to end user account balance, rate element rate level changes and rate structure, changes, per end user account established or changed,</u>		
	- per occurrence	ICB	ICB
	(3) <u>Adjustments to End User Account Balance</u>		
	- per adjustment	ICB	ICB
	(4) <u>End User Account Rate Element Rate Level Change Charge,</u>		
	- per rate element changed, each	ICB	ICB
	(5) <u>End User Account Rate Element Rate Structure Change Charge,</u>		
	- per rate element changed, each	ICB	ICB
(H)	<u>Message Toll Sampling</u>		
	- per record extracted	**	**
(I)	<u>Provision of Local Exchange Company Originating Messages Summary</u>		
	- per report	ICB	ICB

** Includes recording, message processing, inquiry, message billed service, number of bills rendered, CMDS I and CMDS II services as described herein.

Issued: February 15, 2002

**Issued By
Laurie A. Maffett**

Effective: April 18, 2002 Vice President Regulatory and Government Affairs
Advice No.:

ACCESS SERVICES

CITIZENS TELECOMMUNICATIONS COMPANY OF NEVADA
180 S. Clinton Ave. Rochester, NY 14646
P.U.C.N. Tariff No. A-3

Original Sheet No. 8-38

SECTION NO. 8

8. Billing and Collection Services (Cont'd)

8.4 Rates and Charges (Cont'd) ELKO DIVISION

8.4.3 Billing System Information Service

Monthly Rates
IntraLATA InterLATA

The rates and charges are:

(A) <u>Provision of Billing System Information Service,</u> - per Special Order	ICB	ICB
(B) <u>Billing System Information Detail Paper output,</u> - per record processed	ICB	ICB
<u>Magnetic tape,</u> - per tape or data file - per record processed	ICB	ICB
<u>Fiche output,</u> - per record processed	ICB	ICB
(C) <u>Program Development charge,</u> - Basic, per hour (applicable to work performed within the Telephone Company's normal work schedule and using the normal work force)	\$69.11	\$44.28
- Premium, per hour (applicable to work performed outside the Telephone Company's normal work schedule and/or which requires additions to the work force)	\$95.84	\$61.40

Issued: February 15, 2002

Issued By
Laurie A. Maffett

Effective: April 18, 2002
Advice No.:

Vice President Regulatory and Government Affairs

ACCESS SERVICES

CITIZENS TELECOMMUNICATIONS COMPANY OF NEVADA
180 S. Clinton Ave. Rochester, NY 14646
P.U.C.N. Tariff No. A-3

Original Sheet No. 8-39

SECTION NO. 8

8. Billing and Collection Services (Cont'd)

8.4 Rates and Charges (Cont'd) ELKO DIVISION

8.4.3 Billing System Information Service (Cont'd)

Monthly Rates
IntraLATA InterLATA

The rates and charges are:

(D) Data transmission of Billing
Information Service details,
to a location designated by
the customer

- per record transmitted

ICB

ICB

(E) Marking of Message End User
Accounts,

- marking, per end user account

ICB

ICB

Issued: February 15, 2002

Issued By
Laurie A. Maffett

Effective: April 18, 2002 Vice President Regulatory and Government Affairs
Advice No.:

ACCESS SERVICES

CITIZENS TELECOMMUNICATIONS COMPANY OF NEVADA
180 S. Clinton Ave. Rochester, NY 14646
P.U.C.N. Tariff No. A-3

Original Sheet No. 8-40

SECTION NO. 8

8. Billing and Collection Services (Cont'd)

8.4 Rates and Charges, TONOPAH DIVISION

8.4.1 Recording Service

The rates and charges are:

	<u>Monthly Rate</u>	
	<u>IntraLATA</u>	<u>InterLATA</u>
(A) <u>Combined Billing and Collection Service*</u>	\$.2135*	\$.2270*
(B) <u>Recording,</u>		
- per customer message	\$ **	\$ **
- per Special Order	\$25.94	\$31.82
(C) <u>Assembling and editing,</u>		
- per customer message	\$ **	\$ **
(D) <u>Provision of customer</u>		
<u>message detail</u>		
- per record processed	ICB	ICB
- per tape or data file	ICB	ICB
(E) <u>Data transmission to a</u>		
<u>customer location,</u>		
- per record transmitted	ICB	ICB

* Includes recording, message processing, inquiry, message billed service, number of bills rendered, CMDS I and CMDS II services as described herein.

** Included in Combined Billing and Collection Service rate.

Issued: February 15, 2002

Issued By
Laurie A. Maffett

Effective: April 18, 2002 Vice President Regulatory and Government Affairs
Advice No.:

ACCESS SERVICES

CITIZENS TELECOMMUNICATIONS COMPANY OF NEVADA
180 S. Clinton Ave. Rochester, NY 14646
P.U.C.N. Tariff No. A-3

Original Sheet No. 8-41

SECTION NO. 8

8. Billing and Collection Services (Cont'd)

8.4 Rates and Charges (Cont'd) TONOPAH DIVISION

8.4.1 Recording Service (Cont'd)

Monthly Rates
IntraLATA InterLATA

The rates and charges are:

(E) <u>Program Development</u>		
- Basic, per hour (applicable to work performed within the Telephone Company's normal work schedule and using the normal work force)	\$60.28	\$73.93
- Premium, per hour (applicable to work performed outside the Telephone Company's normal work schedule and/or which requires additions to the work force)	\$83.59	\$102.52

8.4.2 Message Billing Service

Monthly Rates
IntraLATA InterLATA

The rates and charges are:

(A) <u>Message Billing Service Special Order Charge,</u> - per Special Order	\$25.94	\$31.82
(B) <u>Message Processing Service, per message</u>	**	**
(C) <u>Bill Processing Service</u> (1) <u>message/bulk-billed processing,</u> - per message	**	**
(2) <u>message/bulk-billed inquiry,</u> - per message	**	**

** Included in Combined Billing and Collection Service rate under 8.4.1(A) preceding.

Issued: February 15, 2002

Issued By

Laurie A. Maffett

Effective: April 18, 2002

Vice President Regulatory and Government Affairs

Advice No.:

ACCESS SERVICES

CITIZENS TELECOMMUNICATIONS COMPANY OF NEVADA
180 S. Clinton Ave. Rochester, NY 14646
P.U.C.N. Tariff No. A-3

Original Sheet No. 8-42

SECTION NO. 8

8. Billing and Collection Services (Cont'd)

8.4 Rates and Charges (Cont'd) TONOPAH DIVISION

8.4.2 Message Billing Service (Cont'd)

Monthly Rates
IntraLATA InterLATA

The rates and charges are:

(D) <u>Message/Bulk Billed Service, in which one or more messages or message service related rate elements are billed, or in which a charge associated with a bulk billed service is billed,</u>		
- per bill rendered for an end user account	**	**
(E) <u>Program Development,</u>		
- Basic, per hour (applicable to work performed within the Telephone Company's normal work schedule and using the normal work force)	\$60.28	\$73.93
- Premium, per hour (applicable to work performed outside the Telephone Company's normal work schedule and/or which requires additions to the work force)	\$83.59	\$102.52
(F) <u>Data transmission of rated customer messages detail between other Exchange Telephone Company locations,</u>		
- per record transmitted	**	**
- per record received	**	**

** Included in Combined Billing and Collection Service Rate under 8.4.1(A) preceding.

Issued: February 15, 2002

Issued By
Laurie A. Maffett

Effective: April 18, 2002
Advice No.:

Vice President Regulatory and Government Affairs

ACCESS SERVICES

CITIZENS TELECOMMUNICATIONS COMPANY OF NEVADA
180 S. Clinton Ave. Rochester, NY 14646
P.U.C.N. Tariff No. A-3

Original Sheet No. 8-43

SECTION NO. 8

8. Billing and Collection Services (Cont'd)

8.4 Rates and Charges (Cont'd) TONOPAH DIVISION

8.4.2 Message Billing Service (Cont'd)

		<u>Monthly Rates</u>	
		<u>IntraLATA</u>	<u>InterLATA</u>
The rates and charges are:			
(G)	<u>End User Account Activity,</u>		
(1)	<u>Special Order Charge to receive end user account data,</u>	\$25.94	\$31.82
(2)	<u>End User Account Establishment or Change, except adjustments to end user account balance, rate element rate level changes and rate structure, changes, per end user account established or changed,</u> - per occurrence	ICB	ICB
(3)	<u>Adjustments to End User Account Balance</u> - per adjustment	ICB	ICB
(4)	<u>End User Account Rate Element Rate Level Change Charge,</u> - per rate element changed, each	ICB	ICB
(5)	<u>End User Account Rate Element Rate Structure Change Charge,</u> - per rate element changed, each	ICB	ICB
(H)	<u>Message Toll Sampling</u> - per record extracted	**	**
(I)	<u>Provision of Local Exchange Company Originating Messages Summary</u> - per report	ICB	ICB

** Includes recording, message processing, inquiry, message billed service, number of bills rendered, CMDS I and CMDS II services as described herein.

Issued: February 15, 2002

**Issued By
Laurie A. Maffett**

Effective: April 18, 2002 **Vice President Regulatory and Government Affairs**
Advice No.:

ACCESS SERVICES

CITIZENS TELECOMMUNICATIONS COMPANY OF NEVADA
180 S. Clinton Ave. Rochester, NY 14646
P.U.C.N. Tariff No. A-3

Original Sheet No. 8-44

SECTION NO. 8

8. Billing and Collection Services (Cont'd)

8.4 Rates and Charges (Cont'd) TONOPAH DIVISION

8.4.3 Billing System Information Service

Monthly Rates
IntraLATA InterLATA

The rates and charges are:

(A) <u>Provision of Billing System Information Service,</u> - per Special Order	ICB	ICB
(B) <u>Billing System Information Detail Paper output,</u> - per record processed	ICB	ICB
<u>Magnetic tape,</u> - per tape or data file - per record processed	ICB	ICB
<u>Fiche output,</u> - per record processed	ICB	ICB
(C) <u>Program Development charge,</u> - Basic, per hour (applicable to work performed within the Telephone Company's normal work schedule and using the normal work force)	\$60.28	\$73.93
- Premium, per hour (applicable to work performed outside the Telephone Company's normal work schedule and/or which requires additions to the work force)	\$83.59	\$102.52

Issued: February 15, 2002

Issued By
Laurie A. Maffett

Effective: April 18, 2002 Vice President Regulatory and Government Affairs
Advice No.:

ACCESS SERVICES

CITIZENS TELECOMMUNICATIONS COMPANY OF NEVADA
180 S. Clinton Ave. Rochester, NY 14646
P.U.C.N. Tariff No. A-3

Original Sheet No. 8-45

SECTION NO. 8

8. Billing and Collection Services (Cont'd)

8.4 Rates and Charges (Cont'd) TONOPAH DIVISION

8.4.3 Billing System Information Service (Cont'd)

Monthly Rates
IntraLATA InterLATA

The rates and charges are:

(D) Data transmission of Billing
Information Service details,
to a location designated by
the customer

- per record transmitted

ICB

ICB

(E) Marking of Message End User
Accounts,

- marking, per end user account

ICB

ICB

Issued: February 15, 2002

Issued By

Laurie A. Maffett

Effective: April 18, 2002

Vice President Regulatory and Government Affairs

Advice No.:

ACCESS SERVICES

CITIZENS TELECOMMUNICATIONS COMPANY OF NEVADA
180 S. Clinton Ave. Rochester, NY 14646
P.U.C.N. Tariff No. A-3

Original Sheet No. 8-46

SECTION NO. 8

8. Billing and Collection Services (Cont'd)

8.5 Individual Case Filing

8.5.1 Reserved for future use.

Issued: February 15, 2002

Issued By

Laurie A. Maffett

Effective: April 18, 2002

Vice President Regulatory and Government Affairs

Advice No.:

SECTION NO. 9**9. Directory Assistance Service**

The Telephone Company will provide Directory Assistance (DA) Service to a customer from Directory Assistance Service locations (DA location). Normal Switched Access (Section No. 6) and Carrier Common Line (Section No. 3) elements shall apply where the exchange company does not have DA facilities.

9.1 General Description

DA Service provides Directory Access Service to DA locations, use of DA access equipment, and use of DA operators to provide telephone numbers. Citizens Telecommunications Company of Nevada (CTC) is not a toll DA provider in Nevada. Citizens Telecommunications Company of Nevada simply transports the DA call to the DA bureau.

9.2 Undertaking of the Telephone Company

- (A) A Telephone Company DA operator, when furnished a name and locality, will provide or attempt to provide the telephone number listed in the Telephone Company DA records associated with the name given at the rates and charges as set forth in 9.6 following. The Telephone Company's contact with the customer's end user shall be limited to that effort necessary to process a customer's end user's request for a telephone number; and the Telephone Company will not transfer, forward or redial a customer's end user call to any other location for any purpose other than provision of DA Service.
- (B) A maximum of two (2) requests for telephone numbers will be accepted per call to the DA operator.
- (C) A telephone number which is not listed in DA records will not be available to the customer's end user.
- (D) The Telephone Company will specify the DA location which provides the DA Service for each numbering plan area code (NPA) within the state.

When it becomes necessary, as determined by the Telephone Company, to change a DA location, the Telephone Company will notify the involved customers six months prior to the change. For such changes, the regulations as set forth in 2.1.7 preceding apply.

- (E) When DA Service is ordered, Directory Access Service will be provided between the customer designated premises and the DA location by the Telephone Company at rates and charges as set forth in 9.6 following.

SECTION NO. 9

9. Directory Assistance Service (Cont'd)9.2 Undertaking of the Telephone Company (Cont'd)

(E) (Cont'd)

(1) General

Each Directory Access Service will consist of the following:

- An Interface Group equipped with an available Premises Interface Code at the customer's designated premises.
- Directory Transport between the premises of the ordering customer and the DA location.

When required by the Telephone Company, a separate Directory Access Service trunk group will be provided for DA Service for each NPA. Separate trunk groups will be required when the Telephone Company notifies the customer that the mechanized search of its data base and its mechanized operator practices require a mechanized identification of the NPA code for which the customer's end user desires DA information.

Further, when an access tandem is available and is provided, the Directory Access Service will be provided, at Telephone Company choice, either as a separate Directory Access Service trunk group or in combination with Feature Group B, C or D Switched Access Service.

(2) Interface Group and Premises Interface Code

Interface Groups 2 through 10, as set forth in 15.1.11 following are available for Directory Access Service. When only Directory Access Service is provided, only the following Premises Interface Codes are available:

4DS9-15	6EA2-E	4RV2-0	
4DS9-31	6EA2-M	4AH5-B	
4DS0-63	4SF3		4AH6-C
4DS6-44			4AH6-D
4DS6-27			

SECTION NO. 9

9. Directory Assistance Service (Cont'd)9.2 Undertaking of the Telephone Company (Cont'd)

(E) (Cont'd)

(2) Interface Group and Premise Interface Code (Cont'd)

Such Premises Interface Codes are described in 15.1.11 following. When Directory Access Service is combined with Feature Group B, C or D Switched Access Service, the Premises Interface Code for the combination will be the available Premises Interface Code provided for the Feature Group B, C or D Switched Access Service ordered by the customer. Except as set forth in 9.4 following, the Interface Groups and Premises Interface Codes provided under a Special Order for Directory Access Service are subject to the order conditions as set forth in 5. preceding. For purposes of applying the order regulations, a DA location is considered to be a customer end user serving wire center.

(3) Directory Transport

Directory Transport provides the transmission facilities and transport termination between the premises of the ordering customer and the DA location.

Directory Transport is a two-way voice frequency transmission path composed of facilities determined by the Telephone Company. The two-way voice frequency path transports calls in the terminating direction (from the premises of the ordering customer to the DA location). The voice frequency transmission path may be comprised of any form or configuration of plant capable of and typically used in the telecommunications industry for the transmission of voice and associated telephone signals within the frequency band width of approximately 300 to 3000 Hz.

SECTION NO. 9

9. Directory Assistance Service (Cont'd)9.2 Undertaking of the Telephone Company (Cont'd)

(E) (Cont'd)

(3) Directory Transport (Cont'd)

The Telephone Company will determine whether the Directory Access Service is to be routed directly to a DA location or through an access tandem switch appropriately equipped for DA measurement and served by DA trunks to the DA location when such an access tandem switch is available. The combination of Feature Group B, C or D Switched Access Service with DA Service will only be provided at such available and appropriately equipped access tandem switches. If the customer desires the traffic routing to be other than that selected by the Telephone Company, it may request a cooperative effort to determine if customer specified traffic routing can be used in lieu of the Telephone Company selected traffic routing.

When Directory Transport is provided using a direct route to the DA location, no address signaling is provided. When Directory Transport is provided with the use of an access tandem switch, wink start-start pulsing signaling is provided at the access tandem switch. The customer will be notified by the Telephone Company when access tandem routing is provided and the customer shall address each call to the DA location using NPA + 555 + 1212 or when required by the Telephone Company, 555-1212. Only NPA codes handled by the DA location served by the access tandem switch will be processed.

ACCESS SERVICES

CITIZENS TELECOMMUNICATIONS COMPANY OF NEVADA
d/b/a Frontier Communications of Nevada
180 S. Clinton Ave. Rochester, NY 14646
P.U.C.N. Tariff No. A-3

1st Revised Sheet No. 9-5
Cancels Original Sheet No. 9-5

SECTION NO. 9

9. Directory Assistance Service (Cont'd)

9.2 Undertaking of the Telephone Company (Cont'd)

(E) (Cont'd)

(3) Directory Transport (Cont'd)

The number of Directory Transport transmission paths provided is based on the customer's order and is determined by the Telephone Company in a manner similar to Switched Access Service transmission paths as set forth in Section 6. (T)

Directory Transport may, at the option of the customer, be provided for both interstate and intrastate communications. When the customer requests such mixed access, the interstate Directory Transport charges will be determined by the Telephone Company using the data furnished by the customer as set forth in 2.3.10 preceding.

Except as set forth in 9.4 following, Directory Transport provided under a Special Order is subject to the order conditions as set forth in 5. preceding.

Directory Transport is provided with one of the Local Transport Interface Groups as set forth in 15.1.11 following.

(4) Special Facilities Routing

A customer may request that Directory Access Service be provided via Special Facilities Routing. The regulations, rates and charges for Special Facility Routing (Avoidance, Diversity and Cable Only) are as set forth in 11. following.

Issued: May 7, 2012

Effective: July 3, 2012
Advice No.: NV-12-03

Issued By
Kenneth Mason
Vice President Government & Regulatory Affairs

ACCESS SERVICES

CITIZENS TELECOMMUNICATIONS COMPANY OF NEVADA
d/b/a Frontier Communications of Nevada
180 S. Clinton Ave. Rochester, NY 14646
P.U.C.N. Tariff No. A-3

1st Revised Sheet No. 9-6
Cancels Original Sheet No. 9-6

SECTION NO. 9

9. Directory Assistance Service (Cont'd)

9.2 Undertaking of the Telephone Company (Cont'd)

(E) (Cont'd)

(5) Design Layout Report

The Telephone Company will provide to the customer the makeup of the facilities and services provided under this section as Directory Access Service. This information will be provided in the form of a Design Layout Report similar to that as set forth in Section 6. Design Layout Reports for Directory Access Service will be provided only when specifically requested by the customer. The Design Layout Report will be provided to the customer at no charge, and will be reissued or updated whenever the facilities provided for the customer's use are materially changed.

(T)

(6) Transmission Specifications

Directory Access Service is provided with either Type A or B Transmission Specification. The specifications associated with the parameters are guaranteed to the DA location, whether routed directly or via an access tandem. Type B Transmission Specification is provided with Interface Groups 2 through 10 when routed direct to a DA location. Type A Transmission Specification is provided with Interface Groups 2 through 10 when routed via an access tandem switch.

When DA Service is combined with Feature Group D Switched Access Service, Type A Transmission Specification is provided. When DA Service is combined with Feature Group B Switched Access Service, Type B Transmission Specification is provided for Interface Groups 2 through 10. When DA Service is combined with Feature Group C Switched Access Service, Type B Transmission Specification is provided.

Type A and B Transmission Specifications are set forth in Section 6.

(T)

Issued: May 7, 2012

Effective: July 3, 2012
Advice No.: NV-12-03

Issued By
Kenneth Mason
Vice President Government & Regulatory Affairs

ACCESS SERVICES

CITIZENS TELECOMMUNICATIONS COMPANY OF NEVADA
d/b/a Frontier Communications of Nevada
180 S. Clinton Ave. Rochester, NY 14646
P.U.C.N. Tariff No. A-3

1st Revised Original Sheet No. 9-7
Cancels Original Sheet No. 9-7

SECTION NO. 9

9. Directory Assistance Service (Cont'd)

9.2 Undertaking of the Telephone Company (Cont'd)

(E) (Cont'd)

(7) Acceptance Testing and Testing Capabilities

The acceptance testing and testing capabilities for Directory Access Service traffic routed through an access tandem are the same as those for the associated Feature Group C or D end office switching. The acceptance testing for Directory Access Service traffic routed directly to or routed in separate trunk groups through an access tandem to the DA location will be as set forth in Section 6. The testing capabilities for Directory Access Service traffic routed directly to or routed in a separate trunk group through an access tandem to the DA location will be as set forth for Testing or Additional Manual Testing in 13.3.5 following.

(T)

- (F) Trunk side switching is provided at the DA Service access location. The DA Service access location will provide trunk answer and disconnect supervisory signaling.
- (G) The Telephone Company will distribute the calls received over the Directory Access Services to the DA operators using the DA location access equipment.
- (H) In the event that the telephone number is unavailable to the DA operator, no credit applies for the charge for the call to the DA operator. When the DA location or DA operator equipment or terminals are out of service due to a Telephone Company equipment failure or an incorrect number is provided, a credit as set forth in 9.4(H) following will apply.
- (I) DA Service may, at the option of the customer, be provided for interstate and intrastate communications. When the customer requests such mixed access, the interstate DA Service charges will be determined by the Telephone Company using the data furnished by the customer as set forth in 2.3.10 preceding.

Issued: May 7, 2012

Effective: July 3, 2012
Advice No.: NV-12-03

Issued By
Kenneth Mason
Vice President Government & Regulatory Affairs

SECTION NO. 9

9. Directory Assistance Service (Cont'd)

9.3 Obligations of the Customer

- (A) The customer shall determine and order the busy hour minutes of capacity and interface type of Directory Access Services it needs for DA Service.
- (B) When DA Service is initially ordered, the customer shall order the service for at least six months. Thereafter, additional service may be ordered for a minimum of six months. Not later than three months prior to the end of the six month period, the customer shall notify the Telephone Company if the service is to be discontinued at the end of the six month period. If no notice is received from the customer, the Telephone Company will automatically extend the service for another six months and all appropriate charges as set forth in 9.6 following will apply for another six months.
- (C) The customer facilities at the premises of the ordering customer shall provide the necessary on-hook and off-hook supervision.
- (D) When requested by the Telephone Company, the customer shall order a separate trunk group for DA Service for each NPA. The conditions when the customer will be requested to order separate trunk groups for each NPA are set forth in 9.2(E)(1) preceding.
- (E) When the customer bills its end users, the customer shall be responsible for all contacts and arrangements with its end users concerning the provision and maintenance of, and the billing and collecting of charges, for DA Service furnished to its end users. When the Telephone Company bills the customer's end users at the request of the customer, contacts and arrangements with customer's end users concerning the billing and collecting of charges will be as set forth in 8 preceding.
- (F) The customer understands that DA operators will respond to only two (2) telephone number requests per call and will not transfer, forward or redial the call to another location for any purpose other than the provision of DA Service.

SECTION NO. 9

9. Directory Assistance Service (Cont'd)

9.4 Payment Arrangements

(A) Minimum Periods

The minimum period for which DA Service and the Directory Access Service is provided and for which charges apply is six months. A minimum period of six months applies for each additional period of service ordered or extended.

If DA Service is discontinued prior to the end of each six month period, the charges that apply for the remaining months are the non-recoverable costs. Such costs include the non-recoverable cost of equipment and material ordered, provided or used, plus the non-recoverable cost of installation and removal including the costs of engineering, labor, supervision, transportation, rights-of-way and other associated costs less estimated net salvage.

(B) Minimum Monthly Charge

DA service is subject to a minimum monthly charge. The minimum monthly charge consists of the following elements:

For those rate elements that are billed a flat monthly rate, i.e., Directory Transport options, the minimum monthly charge is the monthly rate as set forth in 9.6 following.

The minimum monthly charge for Directory Assistance Service calls is the charge as set forth in 9.6 following for the actual usage for the month.

For the Directory Transport rate element, the minimum monthly charge is assessed in terms of a Minimum Monthly Usage Charge (MMUC). If the Directory Transport usage charges based on the actual usage for the month are greater than the MMUC, the customer will be assessed the usage charges based on actual usage. If the Directory Transport usage charges based on the actual usage for the month are lower than the MMUC, the customer will be assessed the MMUC charge. The MMUC is determined as set forth in (C) following. Rates for actual usage are set forth in 9.6 following.

SECTION NO. 9

9. Directory Assistance Service (Cont'd)9.4 Payment Arrangements (Cont'd)(C) Minimum Monthly Usage Charge (MMUC)

The Minimum Monthly Usage Charge (MMUC) for Directory Transport is a charge that varies by Directory Assistance Service busy hour minutes of capacity (BHMC) provided for the customer's use to the DA location.

BHMC is the Directory Assistance Service busy hour minutes of capacity provided for the customer's use to the DA location.

MMUC equals the Minimum Directory Transport charge per BHMC times the BHMC provided.

The Minimum Directory Transport charge per BHMC for Directory Assistance is as follows:

<u>IntraLATA</u>	<u>InterLATA</u>
N/A	N/A

(D) Cancellation of a Special Order

A customer may cancel a Special Order for DA Service on any date prior to the service date. The cancellation date is the date the Telephone Company receives written or verbal notice from the customer that the Special Order is to be canceled. The verbal notice must be followed by written confirmation within 10 days.

When a customer cancels a Special Order for DA Service after the order date but prior to the start of service, the appropriate charges as set forth in 5. preceding apply for the Directory Access Service canceled. In addition, a charge equal to any unrecoverable capital costs incurred by the Telephone Company will apply to the customer.

(E) Changes to Special Orders

When a customer requests changes to a pending order for DA Service, such changes will be undertaken if they can be accommodated by the Telephone Company. The appropriate charges as set forth in 5. preceding apply for the Directory Access Service changed. In addition, a charge equal to any other costs incurred by the Telephone Company because of the change will apply.

ACCESS SERVICES

CITIZENS TELECOMMUNICATIONS COMPANY OF NEVADA
d/b/a Frontier Communications of Nevada
180 S. Clinton Ave. Rochester, NY 14646
P.U.C.N. Tariff No. A-3

1st Revised Sheet No. 9-11
Cancels Original Sheet No. 9-11

SECTION NO. 9

9. Directory Assistance Service (Cont'd)

9.4 Payment Arrangements (Cont'd)

(F) Moves

A move involves a change in the physical location of the point of termination at the customer designated premises or of the customer designated premises. Moves will be treated as set forth in Section 6 and all associated nonrecurring charges will apply. Minimum period requirements will be established at the new location as set forth in Section 6. The customer will also remain responsible for satisfying all outstanding minimum period charges for the discontinued service. (T)

(G) DA Service Rearrangements

Nonrecurring charges apply for service rearrangements. Service rearrangements are as set forth in Section 6. The Service Rearrangement Charges are as set forth in Section 6 for the type of change provided by the Telephone Company. (T)

(H) Credit Allowance for DA Service

- (1) When the DA location or DA operator equipment or terminals are out of service due to a Telephone Company equipment failure or an incorrect number is provided and a customer DA call has been answered or forwarded to a DA operator, a credit allowance for a call answered or forwarded to the DA operator equal to the rate for a Directory Assistance Service Call as set forth in 9.6(A) following plus the rate for a Directory Transport call as set forth in 9.6(B) following will be applied to the customer's charges.
- (2) In addition to the credit as set forth in (1) preceding, when a DA operator or DA equipment provides an incorrect number for a call and the customer reports such occurrences to the Telephone Company, a credit allowance for such DA call will apply. The credit will be as set forth in (3) following. When the customer reports such a call and the number requested, the number provided and the reason the number provided is incorrect, the number of calls for which a credit will apply will be developed by the Telephone Company in cooperation with the customer.

Issued: May 7, 2012

Effective: July 3, 2012
Advice No.: NV-12-03

Issued By
Kenneth Mason
Vice President Government & Regulatory Affairs

ACCESS SERVICES

CITIZENS TELECOMMUNICATIONS COMPANY OF NEVADA
180 S. Clinton Ave. Rochester, NY 14646
P.U.C.N. Tariff No. A-3

Original Sheet No. 9-12

SECTION NO. 9

9. Directory Assistance Service (Cont'd)

9.4 Payment Arrangements (Cont'd)

(H) Credit Allowance for DA Service (Cont'd)

(3) When a DA call is not completed due to the failure of Directory Access Service to DA locations, DA access equipment or DA operator activities, a credit allowance for the Switched Access Service portion in the originating LATA of such DA call will apply. When the customer reports such a call and DA number dialed, time of the call and the date of the call, the number of calls for which a credit will apply will be developed by the Telephone Company in cooperation with the customer. The credit will be as set forth following:

a) Credit per call when Switched Access Service is billed using Transitional per minute rates

<u>IntraLATA</u>	<u>InterLATA</u>
N/A	N/A

b) Credit per call when Feature Group A and/or B Switched Access Service is billed using Premium per minute rates

<u>IntraLATA</u>	<u>InterLATA</u>
N/A	N/A

c) Credit per call when Feature Group C and/or D Switched Access Service is billed using Premium per minute rates

<u>IntraLATA</u>	<u>InterLATA</u>
N/A	N/A

(4) Credit allowances for other service interruptions will be provided as set forth in 2.4.4 preceding.

9.5 Rate Regulations

(A) The Directory Assistance service call charge, as set forth in 9.6 (A) following, applies for each call to DA Service. A call is a call which has been answered by or forwarded to a DA operator. The charge applies whether or not the DA operator provides the requested telephone number. The number of calls answered or forwarded to DA operators will be accumulated by Telephone Company measuring equipment. A credit for the provision of an incorrect telephone number will be applied as set forth in 9.4(H) preceding.

Issued: February 15, 2002

Issued By

Laurie A. Maffett

Effective: April 18, 2002 Vice President Regulatory and Government Affairs
Advice No.:

ACCESS SERVICES

CITIZENS TELECOMMUNICATIONS COMPANY OF NEVADA
d/b/a Frontier Communications of Nevada
180 S. Clinton Ave. Rochester, NY 14646
P.U.C.N. Tariff No. A-3

1st Revised Sheet No. 9-13
Cancels Original Sheet No. 9-13

SECTION NO. 9

9. Directory Assistance Service (Cont'd)

9.5 Rate Regulations (Cont'd)

- (B) The Directory Transport provides the transmission facility and transport termination from the serving wire center for the premises of the ordering customer to the DA location. Title Page notwithstanding, these two wire centers may be in different LATAs. In addition, the premises of the ordering customer must be in the LATA where DA service is requested or in the LATA where the DA location is located. The rate for Directory Transport is calculated on a per call basis.
- (C) The charge per call for Directory Transport, as set forth in 9.6(B) following, applies for each call to DA service. A call is as set forth in (A) preceding. The number of calls will be accumulated as set forth in (A) preceding.

9.6 Rates and Charges

The rates and charges are:

	<u>Rates</u>	
	<u>IntraLATA</u>	<u>InterLATA</u>
(A) <u>Directory Assistance Service call, each</u>	N/A	N/A
(B) <u>Directory Access Service</u>		
- Directory Access Installation Charge	Charges are the same as those set forth in Section 6	
		(T)
	<u>Rate Per Call</u>	
	<u>IntraLATA</u>	<u>InterLATA</u>
Directory Transport	N/A	N/A

Issued: May 7, 2012

Issued By
Kenneth Mason

Effective: July 3, 2012
Advice No.: NV-12-03

Vice President Government & Regulatory Affairs

SECTION NO. 10

10. Special Federal Government Access Services

10.1 General

This section covers Special Access Services that are provided to a customer for use only by agencies or branches of the Federal Government and other users authorized by the Federal Government. Services provided to state emergency operations centers are included. These services provide for command and control communications, including communications for national security, emergency preparedness and presidential requirements. They are required to assure continuity of Government in emergency and crisis situations and to provide for national security.

Services for command and control communications and for national security and emergency preparedness sometimes require short notice and short duration service provisions. These provisions are especially needed to meet presidential requirements or in response to natural, man-made, or declared emergencies. Requirements of this type cannot be forecasted and are usually needed for a relatively short period. The provision of service under these conditions may require the availability of facilities, such as portable microwave equipment, which are provided on a temporary basis by the Telephone Company or customer.

10.2 Emergency Conditions

These services will be provided on the date requested or as soon as possible thereafter when the emergency falls into one of the following categories:

- State of crisis declared by the National Command Authorities (includes commitments made to the National Communications System in the "National Plan for Emergencies and Major Disasters").

Issued: February 15, 2002

**Issued By
Laurie A. Maffett**

**Effective: April 18, 2002 Vice President Regulatory and Government Affairs
Advice No.:**

SECTION NO. 10

10. Special Federal Government Access Services (Cont'd)

10.2 Emergency Conditions (Cont'd)

- Efforts to protect endangered U.S. personnel or property both in the U.S. and abroad. (Includes space vehicle recovery and protection efforts.)
- Communications requirements resulting from hostile action, a major disaster or a major civil disturbance.
- The director (Cabinet level) of a Federal department, Commander of a Unified/Specified Command, or head of a military department has certified that a communications requirement is so critical to the protection of life and property or to the National Defense that it must be processed immediately.
- Political unrest in foreign countries which affect the national interest.
- Presidential service.

10.3

10.4

Issued: February 15, 2002

Issued By

Laurie A. Maffett

Effective: April 18, 2002

Vice President Regulatory and Government Affairs

Advice No.:

SECTION NO. 10

10. Special Federal Government Access Services (Cont'd)

10.5 Safeguarding of Service

10.5.1

10.5.2 Facility Availability

In order to insure communications during periods of emergency, the Telephone Company will, within the limits of good management, make available the necessary facilities to restore service in the event of damage or to provide temporary emergency service.

In order to meet the requirements of agencies or branches of the Federal Government, the Telephone Company may utilize government-owned facilities, when necessary to provide service.

10.6 Federal Government Regulations

In accordance with Federal Government Regulations, all service provided to the Federal Government will be billed in arrears. However, this provision does not apply to other customers that obtain services under the provisions of this tariff to provide their services to the Federal Government.

10.7

SECTION NO. 10

10. Special Federal Government Access Services (Cont'd)

10.8 Service Offerings to the Federal Government

The following unique services are provided to a customer for use only by agencies or branches of the Federal Government, other authorized users and state emergency operations centers. The rates and charges for these services shall be developed on an individual case basis and shall be consistent with the rates and charges for services offered in other sections of this tariff.

10.8.1 Type and Description

(A) Voice Grade Special Access Services

(1) Voice Grade Secure Communications Type I

Approximate bandwidth of 10-50,000 Hertz. Furnished for two-point secure communications on two-wire or four-wire metallic facilities between an IC premises and an end user's premises. Services are conditioned as follows:

T-3 Conditioning - The absolute loss (referenced to 1 milliwatt) with respect to frequency shall not exceed:

15 dB at 10 Hz
13 dB at 100 Hz
9 dB at 1,000 Hz
20 dB at 10,000 Hz
30 dB at 50,000 Hz

SECTION NO. 10

10. Special Federal Government Access Services (Cont'd)

10.8 Service Offerings to the Federal Government (Cont'd)

10.8.1 Type and Description (Cont'd)

(A) Voice Grade Special Access Services (Cont'd)

(1) Voice Grade Secure Communications Type I (Cont'd)

Additional conditioning (available in one or two directions on four-wire facilities only) to provide the following characteristics:

The absolute loss (referenced to one milliwatt) with respect to frequency shall not exceed:

0 db at 1,000 Hz
+ 1 dB between 1,000 Hz and 40,000 Hz
+ 2 dB between 10 Hz and 50,000 Hz
(+ means more loss)

The net loss of the conditioned service (with or without additional conditioning) shall not vary by more than four dB at 1,000 Hz from the levels specified above. Voice frequency signaling or supervisory tones can be transmitted.

(2) Voice Grade Secure Communications Type II

Approximate bandwidth 10-50,000 Hz. Furnished on four-wire metallic facilities for duplex operation for two-point secure communications between an IC premises on an end user's premises and an end user's premises. Services are conditioned as follows:

G-1 Conditioning - The absolute loss with respect to frequency and the net loss variation shall be the same as Voice Grade Secure Communications Type I services without additional conditioning. Voice frequency signaling or supervisory tones can be transmitted.

SECTION NO. 10

10. Special Federal Government Access Services (Cont'd)

10.8 Service Offerings to the Federal Government (Cont'd)

10.8.1 Type and Description (Cont'd)

(A) Voice Grade Special Access Services (Cont'd)

(3) Voice Grade Secure Communications Type III

Approximate bandwidth 10-50,000 Hz. Furnished on four-wire metallic facilities for duplex operation for two-point secure communications between an IC premises switch and an end user's premises. Services are conditioned as follows:

G-2 Conditioning - The absolute loss with respect to frequency and the net loss variation from the switch to an end user's premises shall be the same as Voice Grade Secure Communications Type I services without additional conditioning; from an end user's premises to the switch shall be the same as Voice Grade Secure Communications Type I services with additional conditioning. Voice frequency signaling or supervisory tones can be transmitted.

(4) Voice Grade Secure Communications Type IV

Approximate bandwidth 10-50,000 Hz. Furnished on four-wire metallic facilities for duplex operation for two-point secure communication between two IC premises switches. Services are conditioned as follows:

G-3 Conditioning - The absolute loss with respect to frequency and the net loss variation shall be the same in both directions of transmission as Voice Grade Secure Communications Type I services with additional conditioning. Voice frequency signaling or supervisory tones can be transmitted.

SECTION NO. 10

10. Special Federal Government Access Services (Cont'd)

10.8 Service Offerings to the Federal Government (Cont'd)

10.8.1 Type and Description (Cont'd)

(B) Wideband Digital Special Access Service

Service arrangements for secured communications to accommodate the transmission of binary digital baseband signals in a random polar format.

(1) Wideband Secure Communications Type I

For transmission at the rate of 18,750 bits per second.

(2) Wideband Secure Communications Type II

For transmission at the rate of 50,000 bits per second.

(3) Wideband Secure Communications Type III

To accommodate the transmission of restored polar two-level facsimile signals with a minimum signal element width of twenty microseconds at a rate of 50,000 bits per second.

To accommodate the transmission of binary digital baseband signals in a random polar format at the rate of 50,000 bits per second.

10.8.2 Mileage Application

Mileage, when used for rate application between serving wire centers of two customers designated premises, shall be determined by the V and H Coordinates Method and administered as set forth in 7.2.6 preceding.

SECTION NO. 10

10. Special Federal Government Access Services (Cont'd)

10.8 Service Offerings to the Federal Government (Cont'd)

10.8.3 Rates and Charges

(A) Voice Grade Special Access Service

The provision of T3 and G conditioned services contemplates station and tandem switching operations, using customer provided equipment, as well as Special Access Service. Separate narrowband or voice grade services, where required by the customer provided equipment or switching operation, are furnished in accordance with the applicable sections of this tariff.

<u>Voice Grade Secure Communications</u>	<u>Monthly Rates</u>	<u>Nonrecurring Charges</u>	<u>Termination Charges</u>
Type I, each T-3 Conditioning,			ICB rates and charges apply
Additional Conditioning, per service termination			ICB rates and charges apply
Type II, each G-1 Conditioning,			ICB rates and charges apply
Type III, each G-2 Conditioning,			ICB rates and charges apply
Additional Conditioning, per service termination			ICB rates and charges apply

Issued: February 15, 2002

Issued By
Laurie A. Maffett

Effective: April 18, 2002 Vice President Regulatory and Government Affairs
Advice No.:

SECTION NO. 10

10. Special Federal Government Access Services (Cont'd)

10.8 Service Offerings to the Federal Government (Cont'd)

10.8.3 Rates and Charges (Cont'd)

(A) Voice Grade Special Access Service (Cont'd)

<u>Voice Grade Secure Communications</u>	<u>Monthly Rates</u>	<u>Nonrecurring Charges</u>	<u>Termination Charges</u>
--	----------------------	-----------------------------	----------------------------

Type IV, each
G-3 Conditioning, ICB rates and charges apply

Additional
Conditioning,
per service
termination ICB rates and charges apply

(B) Wideband Digital Special Access Service

<u>Wideband Secure Communications</u>	<u>Monthly Rates</u>	<u>Nonrecurring Charges</u>	<u>Termination Charges</u>
---------------------------------------	----------------------	-----------------------------	----------------------------

Type I, each ICB rates and charges apply

Type II, each ICB rates and charges apply

Type III, each ICB rates and charges apply

(C) Move Charges

(1) When service without a termination charge associated with it, as set forth in (A) and (B) preceding, is moved to a different building, the nonrecurring charge applies; when moved to a new location in the same building, a charge of one-half the nonrecurring charge applies.

SECTION NO. 10

10. Special Federal Government Access Services (Cont'd)

10.8 Service Offerings to the Federal Government (Cont'd)

10.8.3 Rates and Charges (Cont'd)

(C) Move Charges (Cont'd)

- (2) When service with a termination charge associated with it, as set forth in (A) and (B) preceding, is moved and is reinstalled at a new location, the customer may elect:

-to pay the unexpired portion of the termination charge for the service, if any, with the application of a nonrecurring charge and the establishment of a new termination charge for such service at the new location, or

-to continue service subject to the unexpired portion of the termination charge, if any, and pay the estimated costs of moving such service, provided that the customer requests these charges be quoted prior to ordering the service move. Charges for moving such service will be based on estimated costs attributable to the move.

Move charges include the estimated costs of removal, restoration of services or facilities necessitated by the move, transportation, storage, reinstallation, engineering, labor, supervision, materials, administration, and any other specific items of cost directly attributable to the move.

Issued: February 15, 2002

Issued By

Laurie A. Maffett

Effective: April 18, 2002

Vice President Regulatory and Government Affairs

Advice No.:

SECTION NO. 11

11. Special Facilities Routing of Access Services

11.1 Description of Special Facilities Routing of Access Services

The services provided under this tariff are provided over such routes and facilities as the Telephone Company may elect. Special Facilities Routing is involved when, in order to comply with requirements specified by the customer, the Telephone Company provides Switched Access Service, Special Access Service or Special Federal Government Access Service in a manner which includes one or more of the following conditions:

11.1.1 Diversity

Two or more services must be provided over not more than two different physical routes.

11.1.2 Avoidance

A service must be provided on a route, which avoids specified geographical locations.

11.1.3 Cable-Only Facilities

Certain Voice Grade services are provided on Cable-Only Facilities to meet the particular needs of a customer.

Service is provided subject to the availability of Cable-Only facilities. In the event of service failure, restoration will be made through the use of any available facilities as selected by the Telephone Company.

Avoidance and Diversity are available on Switched Access Service as set forth in Section 6; Metallic, Telegraph Grade and Voice Grade Special Access Services as set forth in 7.5, 7.6 and 7.7 preceding and Special Federal Government Access Services as set forth in 10.8 preceding. Cable-Only Facilities are available for Switched Access Service as set forth in 6. preceding; Voice Grade Special Access Services as set forth in 7.7 preceding and Special Federal Government Access Services as set forth in 10.8 preceding.

(T)
(T)

Issued: May 7, 2012

Effective: July 3, 2012
Advice No.: NV-12-03

Issued By
Kenneth Mason
Vice President Government & Regulatory Affairs

SECTION NO. 11

11. Special Facilities Routing of Access Services (Cont'd)

11.1 Description of Special Facilities Routing of Access Services (Cont'd)

In order to avoid the compromise of special routing information, the Telephone Company will provide the required routing information for each specially routed service to only the ordering customer. If requested by the customer, this information will be provided when service is installed and prior to any subsequent changes in routing.

The rates and charges for Special Facilities Routing of Access Services as set forth in 11.2 following are in addition to all other rates and charges that may be applicable for services provided under other sections of this tariff.

11.2 Rates and Charges for Special Facilities Routing of Access Service

The rates and charges for Special Facilities Routing of Access Services are as follows:

11.2.1 Diversity

For each service provided in accordance with 11.1.1 preceding, the rates and charges will be developed on an individual case basis.

11.2.2 Avoidance

For each service provided in accordance with 11.1.2 preceding, the rates and charges will be developed on an individual case basis.

SECTION NO. 11

11. Special Facilities Routing of Access Services (Cont'd)

11.2 Rates and Charges for Special Facilities Routing of Access Service (Cont'd)

11.2.3 Diversity and Avoidance Combined

For each service provided in accordance with 11.1.1 and 11.1.2 preceding, combined, the rates and charges will be developed on an individual case basis.

11.2.4 Cable-Only Facilities

For each service provided in accordance with 11.1.3 preceding, the rates and charges will be developed on an individual case basis.

Issued: February 15, 2002

Issued By

Laurie A. Maffett

Effective: April 18, 2002 Vice President Regulatory and Government Affairs

Advice No.:

SECTION NO. 12

12. Specialized Service Or Arrangements

12.1 General

Specialized Service or Arrangements may be provided by the Telephone Company, at the request of a customer, on an individual case basis if such service or arrangements meet the following criteria:

- The requested service or arrangements are not offered under other sections of this tariff.
- The facilities utilized to provide the requested service or arrangements are of a type normally used by the Telephone Company in furnishing its other services.
- The requested service or arrangements are provided within a LATA.
- The requested service or arrangements are compatible with other Telephone Company services, facilities, and its engineering and maintenance practices.
- This offering is subject to the availability of the necessary Telephone Company personnel and capital resources.

12.2 Rates and Charges

Rates and Charges and additional regulations if applicable, for specialized service or arrangements provided on an individual case basis.

Issued: February 15, 2002

Issued By

Laurie A. Maffett

Effective: April 18, 2002

Vice President Regulatory and Government Affairs

Advice No.:

SECTION NO. 13

13. Additional Engineering, Additional Labor and Miscellaneous Services

In this section normally scheduled working hours are an employee's scheduled work period in any given calendar day (e.g., 7:00 a.m. to 4:00 p.m.) for the application of rates based on working hours. A Miscellaneous Service Order Charge applies to any service, or combination of services ordered simultaneously from this section of the Tariff for which a service order is not already pending (with the exception of Presubscription (13.3.3) which does not have the charge applied). The Miscellaneous Service Order Charge is an administrative charge designed to compensate for the expenses associated with service order issuance.

The charge always applies to the following services since a pending service order would not exist: Overtime Repair (13.2.2), Standby Repair (13.2.3), Testing and Maintenance with Other Telephone Companies other than when in conjunction with Acceptance Testing (13.2.4), Other Labor (13.2.5) and Maintenance of Service (13.3.1). The Miscellaneous Service Order Charge will also apply to the following services if they are ordered subsequent to the initial installation of the associated access service, thereby necessitating the issuance of another service order: Restoration Priority (13.3.2), Standard Jacks (13.3.4), Protective Connecting Arrangements (13.3.7) and Controller Arrangement 13.3.8(A).

The charge does not apply to the following services since there would exist a pending service order: Additional Engineering (13.1), Overtime Installation (13.2.1), Standby Acceptance Testing (13.2.3), Testing and Maintenance with Other Telephone Companies when in conjunction with Acceptance Testing (13.2.4), and Additional Cooperative Acceptance Testing 13.3.5(A)(1) and 13.3.5(B)(1). This charge is as follows:

- Miscellaneous Service Order Charge, per occurrence
 - ELKO DIVISION:

<u>IntraLATA</u>	\$52.32
<u>InterLATA</u>	145.77
 - TONOPAH DIVISION:

<u>IntraLATA</u>	\$51.86
<u>InterLATA</u>	61.58

13.1 Additional Engineering

Additional Engineering will be provided by the Telephone Company at the request of the customer only when:

- (A) A customer requests additional technical information after the Telephone Company has already provided the technical information normally included on the Design Layout Report (DLR) as set forth in Section 6 and 7.1.6 preceding.

(T)
(

SECTION NO. 13

13. Additional Engineering, Additional Labor and Miscellaneous Services (Cont'd)

13.1 Additional Engineering (Cont'd)

- (B) Additional engineering time is incurred by the Telephone Company to engineer a customer's request for a customized service as set forth in 7.1.1 preceding.
- (C) A customer requests a Design Change, additional engineering time is incurred by the Telephone Company for the engineering review as set forth in 5.2.2(C). The charge for additional engineering will apply whether or not the customer authorizes the Telephone Company to proceed with the design change.

The Telephone Company will notify the customer that additional engineering charges, as set forth in 13.1.1 following, will apply before any additional engineering is undertaken.

13.1.1 Charges For Additional Engineering

The charges for additional Engineering are as follows:

	<u>Additional Engineering Periods</u>	<u>Each Half Hour or Fraction Thereof</u> <u>IntraLATA</u> <u>InterLATA</u>	
(A)	Basic Time, normally scheduled working hours, per engineer		
	ELKO DIVISION	\$31.66	\$88.22
	TONOPAH DIVISION	\$31.39	\$37.27

SECTION NO. 13

13. Additional Engineering, Additional Labor and Miscellaneous Services (Cont'd)

13.1 Additional Engineering (Cont'd)

13.1.1 Charges for Additional Engineering (Cont'd)

Additional Engineering Periods	Each Half Hour or Fraction Thereof	
	IntraLATA	InterLATA
(B) Overtime, outside of normally scheduled working hours, per engineer		
ELKO DIVISION	\$37.57	\$104.67
TONOPAH DIVISION	\$37.24	\$44.22

13.2 Additional Labor

Additional labor is that labor requested by the customer on a given service and agreed to by the Telephone Company as set forth in 13.2.1 through 13.2.5 following. The Telephone Company will notify the customer that additional labor charges as set forth in 13.2.6 following will apply before any additional labor is undertaken.

13.2.1 Overtime Installation

Overtime installation is that Telephone Company installation effort outside of normally scheduled working hours.

13.2.2 Overtime Repair

Overtime repair is that Telephone Company maintenance effort performed outside of normally scheduled working hours.

13.2.3 Stand by

Stand by includes all time in excess of one-half (1/2) hour during which Telephone Company personnel stand by to make installation acceptance tests or cooperative tests with a customer to verify facility repair on a given service.

SECTION NO. 13

13. Additional Engineering, Additional Labor and Miscellaneous Services (Cont'd)

13.2 Additional Labor (Cont'd)

13.2.4 Testing and Maintenance with Other Telephone Companies

Additional testing, maintenance or repair of facilities which connect to facilities of other telephone companies, is that which is in addition to normal effort required to test, maintain or repair facilities provided solely by the Telephone Company.

13.2.5 Other Labor

Other labor is that additional labor not included in 13.2.1 through 13.2.4 preceding and labor incurred to accommodate a specific customer request that involves only labor which is not covered by any other section of this tariff.

SECTION NO. 13

13. Additional Engineering, Additional Labor and Miscellaneous Services (Cont'd)

13.2 Additional Labor (Cont'd)

13.2.6 Charges for Additional Labor ELKO DIVISION

The charges for additional labor are as follows:

<u>Additional Labor Periods</u>	<u>Each Half Hour or Fraction Thereof</u>	
	<u>IntraLATA</u>	<u>InterLATA</u>
(A) <u>Installation or Repair</u>		
- Overtime, outside of normally scheduled working hours on a scheduled work day, per technician	\$30.46	\$84.85
- Premium Time, outside of scheduled work day, per technician	\$34.83	\$97.03
(B) <u>Stand by</u>		
- Basic time, normally scheduled working hours, per technician	\$25.87	\$72.07
- Overtime, outside of normally scheduled working hours on a scheduled work day, per technician	\$30.35	\$84.55
- Premium Time, outside of scheduled work day, per technician	\$34.83	\$97.03

* A call out of a Telephone Company employee at a time not consecutive with the employee's scheduled work period is subject to a minimum charge of four hours.

Issued: February 15, 2002

Issued By
 Laurie A. Maffett

Effective: April 18, 2002 Vice President Regulatory and Government Affairs
 Advice No.:

SECTION NO. 13

13. Additional Engineering, Additional Labor and Miscellaneous Services (Cont'd)

13.2 Additional Labor (Cont'd)

13.2.6 Charges for Additional Labor (Cont'd) ELKO DIVISION

The charges for additional labor are as follows:

<u>Additional Labor Periods</u>	<u>Each Half Hour or Fraction Thereof</u>	
	<u>Installation and Repair Technician</u>	<u>Central Office Maintenance Technician</u>
(C) Testing and Maintenance with other Telephone Companies, or Other Labor		
- Basic Time, normally scheduled working hours, per technician		
<u>IntraLATA</u>	\$ 25.87	\$ 26.23
<u>InterLATA</u>	72.07	73.09
- Overtime, outside of normally scheduled working hours on a scheduled work day, per technician		
<u>IntraLATA</u>	\$ 30.35	\$ 31.11
<u>InterLATA</u>	84.55	86.69
- Premium Time, outside of scheduled work day, per technician		
<u>IntraLATA</u>	\$ 34.83	\$ 36.01
<u>InterLATA</u>	97.03	100.34

* A call-out of a Telephone Company employee at a time not consecutive with the employee's scheduled work period is subject to a minimum charge of four hours.

SECTION NO. 13

13. Additional Engineering, Additional Labor and Miscellaneous Services (Cont'd)

13.2 Additional Labor (Cont'd)

13.2.6 Charges for Additional Labor TONOPAH DIVISION

The charges for additional labor are as follows:

<u>Additional Labor Periods</u>	<u>Each Half Hour or Fraction Thereof</u>	
	<u>IntraLATA</u>	<u>InterLATA</u>
(A) <u>Installation or Repair</u>		
- Overtime, outside of normally scheduled working hours on a scheduled work day, per technician	\$30.19	\$35.85
- Premium Time, outside of scheduled work day, per technician	\$34.52	\$40.99
(B) <u>Stand by</u>		
- Basic time, normally scheduled working hours, per technician	\$25.64	\$30.45
- Overtime, outside of normally scheduled working hours on a scheduled work day, per technician	\$30.08	\$35.72
- Premium Time, outside of scheduled work day, per technician	\$34.52	\$40.99

* A call out of a Telephone Company employee at a time not consecutive with the employee's scheduled work period is subject to a minimum charge of four hours.

SECTION NO. 13

13. Additional Engineering, Additional Labor and Miscellaneous Services (Cont'd)

13.2 Additional Labor (Cont'd)

13.2.6 Charges for Additional Labor (Cont'd) TONOPAH DIVISION

The charges for additional labor are as follows:

<u>Additional Labor Periods</u>	<u>Each Half Hour or Fraction Thereof</u>	
	<u>Installation and Repair Technician</u>	<u>Central Office Maintenance Technician</u>
(C) Testing and Maintenance with other Telephone Companies, or Other Labor		
- Basic Time, normally scheduled working hours, per technician		
<u>IntraLATA</u>	\$25.64	\$26.00
<u>InterLATA</u>	30.45	30.88
- Overtime, outside of normally scheduled working hours on a scheduled work day, per technician		
<u>IntraLATA</u>	\$30.08	\$30.84
<u>InterLATA</u>	35.72	36.62
- Premium Time, outside of scheduled work day, per technician		
<u>IntraLATA</u>	\$34.52	\$35.70
<u>InterLATA</u>	40.99	42.39

* A call-out of a Telephone Company employee at a time not consecutive with the employee's scheduled work period is subject to a minimum charge of four hours.

SECTION NO. 13

13. Additional Engineering, Additional Labor and Miscellaneous Services (Cont'd)

13.3 Miscellaneous Services

13.3.1 Maintenance of Service

- (A) When a customer reports a trouble to the Telephone Company for clearance and no trouble is found in the Telephone Company's facilities, the customer shall be responsible for payment of a Maintenance of Service charge for the period of time from when Telephone Company personnel are dispatched to the customer's premises to when the work is completed. Failure of Telephone Company personnel to find trouble in Telephone Company facilities will result in no charge if the trouble is actually in those facilities, but not discovered at the time.
- (B) The customer shall be responsible for payment of a Maintenance of Service charge when the Telephone Company dispatches personnel to the customer designated premises, and the trouble is in equipment or communications systems provided by other than the Telephone Company or in detariffed CPE provided by the Telephone Company.

In either (A) or (B) preceding, no credit allowance will be applicable for the interruption involved if the Maintenance of Service Charge applies.

- (C) The charges for Maintenance of Service are as follows:

<u>Maintenance of Service Periods</u>	<u>Each Half Hour or Fraction Thereof</u>
Basic Time, Overtime* and Premium Time*	See the rates for Additional Labor as set forth in 13.2.6(C) preceding

* A call-out of a Telephone Company employee at a time not consecutive with the employee's scheduled work period is subject to a minimum charge of four hours.

SECTION NO. 13

13. Additional Engineering, Additional Labor and Miscellaneous Services (Cont'd)

13.3 Miscellaneous Services (Cont'd)

13.3.2 Telecommunications Service Priority (TSP)

TSP System shall be provided in accordance with the guidelines set forth in "Telecommunications Service Priority (TSP) System for National Security Emergency Preparedness (NSEP) Service Vendor Handbook" (NCSH 3-1-2) dated July 9, 1990, and "Telecommunications Service Priority System for National Security Emergency Preparedness Service User Manual" (NCSM 3-1-1).

The Utility will arrange a Special Access Service for Telecommunications Service Priority (TSP) on receipt of certification in conformance with Part 64, Subpart D, Appendix A of the Federal Communications Commission's Rules and Regulations. A charge applies when a request to provide or change a TSP is received subsequent to the issuance of an Access Order to install the service.

No charge applies when a TSP Service is discontinued or when ordered coincident with an access order to install service.

(A) Regulations

- (1) The TSP System's applicability is limited to telecommunication services, which the Utility can discretely identify for priority provisioning and/or restoration.
- (2) The customer subscribing to TSP System must also be the customer subscribing to the service with which TSP is associated.
- (3) Under certain conditions, it may be necessary to preempt one or more customer services with a lower or no TSP in order to install or restore higher priority NSEP telecommunications service(s). If such preemption is necessary, and if circumstances permit, the Utility will make reasonable effort to notify the preempted customer of the action to be taken. Credit allowance for such service preemption shall be made, in accordance with the provisions specified elsewhere in the Utility's Tariff.
- (4) In obtaining TSP System, the customer acknowledges and consents to the Utility providing customer service record information to the Federal Government in order for the Government to maintain and administer its overall TSP System. This customer service record information will include the TSP Authorization Code, Utility's Circuit/Service ID, customer's telephone number and service location.

(L) Item 13.3.3 relocated to Sheet No. 13-10.2.

Issued: August 30, 2007

Issued By

Aloa J. Stevens

Effective: October 24, 2007

Director Government & External Affairs

Advice No.: NV-07-10

SECTION NO. 13

13. Additional Engineering, Additional Labor and Miscellaneous Services (Cont'd)

13.3 Miscellaneous Services (Cont'd)

13.3.2 Telecommunications Service Priority (TSP) (Continued)

(A) Regulations (Continued)

- (5) Credit allowance for service interruption for TSP Maintenance and Administration shall be the same as for the service with which it is associated as specified elsewhere in the Utility's Tariff.
- (6) When performing a service under TSP, the Utility may not be in a position to notify the customer in advance of circumstances which require additional labor and for which additional labor charges apply. The TSP subscriber recognizes that quoting charges and obtaining permission to proceed would cause unnecessary delays that would be contrary to the objectives of the TSP System. In subscribing to the TSP System the customer recognizes this condition and grants the Utility the right to quote charges after work has been completed.
- (7) Other regulations, rates and charges for services such as expedited service, special construction, due date change, Maintenance of Service etc. may apply as specified elsewhere in the Utility's Tariff when provided in conjunction with the TSP System.

(B) Rates and Charges

The Utility will arrange a TSP Access Service upon receipt of certification as authorized by Part 64, Subset D, Appendix A of the Federal Communications Rules and Regulations.

	<u>Nonrecurring Charge</u>	
	<u>IntraLATA</u>	<u>InterLATA</u>
TSP, per service arranged		
ELKO DIVISION	\$112.87	\$314.46
TONOPAH DIVISION	\$111.88	\$132.85

(N)

(N)

(T)

SECTION NO. 13

13. Additional Engineering, Additional Labor and Miscellaneous Services (Cont'd)

13.3 Miscellaneous Services (Cont'd)

13.3.3 Presubscription

Presubscription is an arrangement whereby an end user may select and designate to the Telephone Company an Interexchange Carrier (IC) for intraLATA and interLATA intrastate calls without dialing a 950-10XXX or 10XXX access code. The end user may select an IC for intraLATA calls, a different IC for interLATA calls, or the same IC for both. Or they may select one IC for their interLATA calls and the Telephone Company or its designated Toll Carrier for intraLATA calls. In the event the end user does not select an intraLATA provider, the existing Telephone Company or its designated Toll Carrier will remain their intraLATA provider. The selected IC is referred to as the end user's predesignated IC. The presubscription procedure also allows the agent* of a Telephone Company pay telephone to select and designate to the Telephone Company an IC to access interLATA and/or intraLATA calls, without dialing an access code. Presubscription is available only to End Users served by end offices that have been converted to provide Feature Group D Switched Access Service.

* An agent is the person or persons who have the legal authority to give the Telephone Company permission to place public/semi-public pay telephones on their premises and who control access to or usage of the pay telephone.

(L) Material relocated from Sheet No. 13-10.

(L)

(L)

SECTION NO. 13

13. Additional Engineering, Additional Labor and Miscellaneous Services (Cont'd)

13.3 Miscellaneous Services (Cont'd)

13.3.3 Presubscription (Cont'd)

(A) End User and Agent Notifications, Equal Access Process and Interexchange Carrier End User and Agent Lists.

An end user or agent may select only one IC as a primary IntraLATA IC and only one IC as a primary InterLATA IC. Multi-line hunt group end users or agents have two options in selecting a primary IC. Under option one, an end user or agent may select one IC for all its lines. Under option two, an end user or agent may indicate a desire to designate specific lines to different ICs. When option two is selected, the end user or agent must give notice to the Telephone Company, which will allow a line-by-line designation of ICs.

An IC obtaining service commitments from end users and agents directly must provide an IC End User and Agents List to the Telephone Company accompanied by a document certifying that the IC does have end user and agent signed statements, or has taken steps to obtain signed letters of agency, containing the required information from each end user and agent on the list. The Telephone Company will process all End User and Agent list that are received.

End Users obtaining new service from the Telephone Company on or after the date of intraLATA equal access conversion who do not make an affirmative selection, will have no "1"+ capability until they make a selection.

(B) Presubscription Charge Application

The Telephone Company will provide an initial waiver period of 180 days during which the end user is allowed one intraLATA PIC Change free of charge. This waiver period will expire on January 27, 1999, based on a July 31, 1998 implementation date of IntraLATA Toll Dialing Parity. Subsequent to the initial waiver period, the nonrecurring charge set forth in 13.3.3(G) the following will apply to any further changes.

New end users or agents, who will be served by end offices equipped with equal access, will be asked to select a primary IC for both intraLATA and interLATA calls or select one (1) IC for their interLATA calls at the time they place an order with the Telephone Company for Telephone Exchange Service. New End User customers will have 90 days from the date of their initial Presubscription selection to make one intraLATA PIC change without charge. Subsequent to the initial waiver period, the nonrecurring charge set forth in 13.3.3(G) the following will apply to any further changes.

SECTION NO. 13

13. Additional Engineering, Additional Labor and Miscellaneous Services (Cont'd)

13.3 Miscellaneous Services (Cont'd)

13.3.3 Presubscription (Cont'd)

(B) Presubscription Charge Application (Contend)

New end users or agents will be offered a list of participating carriers to aid in the selection of their primary interLATA and intraLATA ICs.

End users may designate that they do not want a primary interLATA or intraLATA IC and this choice is referred to as "No-PIC". This choice is considered a valid selection and a Presubscription Charge will apply to any subsequent change following the waiver period. The "No-PIC" designation is not available to pay telephone agents.

Should an IC elect to discontinue Feature Group D service in an end office converting to equal access prior to the conversion date, or within two years after the introduction of Feature Group D in the converted end office, the IC shall contact in writing all end users and agents who selected, or were allocated to, the canceling IC as their designated IC. Such written notification must advise these end users or agents of the cancellation, request that the end users or agents select a new IC, and state that the canceling IC will pay the change charge.

For a period of two years following the IC's discontinuance of Feature Group D service, the Telephone Company will bill the cancelling IC the change charge for each end user and agent that is currently designated to the IC at the time of discontinuance.

SECTION NO. 13

13. Additional Engineering, Additional Labor and Miscellaneous Services (Cont'd)

13.3 Miscellaneous Services (Cont'd)

13.3.3 Presubscription (Cont'd)

(B) Presubscription Charge Application (Contend)

The Telephone Company will make conversion changes in the end user's or agents interLATA and intraLATA PIC assignments pursuant to an IC provided list of customers, accepted by the Telephone Company under the conditions set forth in (A) preceding. Should an end user or agent dispute authorization of the change in PIC assignments, the Telephone Company may, in order to resolve the dispute, require that the IC requesting the change submit a signed letter of agency. If the IC cannot produce a customer signed letter of agency from the end user or agent, and the Telephone Company resolves the dispute in favor of the end user or agent, the IC will be billed two nonrecurring charges: a presubscription change charge as set forth in Section 13.3.3(G) following for the change to the disputed IC and an unauthorized presubscription (PIC) change charge as specified in Section 13.3.3(G) following to restore the end user's or agent's prior IC assignment. If the IC produces the required letter of agency within 30 days of the Telephone Company's request, the end user or agent will be billed two presubscription change charges as specified in Section 13.3.3(G) following in lieu of the IC. Charges are only applicable if a change in an end user's or agent's IC selection has actually been implemented in the switch.

(C) The nonrecurring charge for a change in Presubscription can be found in section 13.3.3(G) following. The full nonrecurring PIC charge is applicable when an intraLATA PIC change is ordered separately from an interLATA PIC change and/or when a customer presubscribes to different carriers, at the same time, for interLATA and intraLATA MTS/MTS-type service. If a customer changes both interLATA and intraLATA PICs at the same time, the Telephone Company will only bill the customer the full nonrecurring PIC change charge.

(D) IC CIC Consolidation

IC requests to consolidate multiple CICs (Carrier Identification Codes) will be subject to an IC CIC Consolidation Charge. This charge is only assessed when all lines or trunks associated with the former CIC(s) are changed on a one-time realignment basis within the Telephone Company's databases at a nationwide level to a single existing CIC. Requests for an IC CIC Consolidation must be provided to the Telephone Company in writing, but no ASR Ordering Charge is applicable for this request.

SECTION NO. 13

13. Additional Engineering, Additional Labor and Miscellaneous Services (Cont'd)

13.3 Miscellaneous Services (Cont'd)

13.3.3 Presubscription (Cont'd)

(D) IC CIC Consolidation (Cont'd)

The IC CIC Consolidation charge does not apply to normal PIC change activity, whereby carrier selection is changed and no consolidation of CICs occurs.

The Telephone Company will negotiate a due date for an IC CIC Consolidation with the IC. It is the sole responsibility of the IC to notify affected end users of the change.

If an IC elects to change a CIC due to surrendering a CIC to the North American Numbering Plan (NANP) Administrator for reassignment, the IC CIC Consolidation Charge will be waived. The waiver is applied only when the IC surrenders the CIC on a nationwide basis. Additionally, the CIC must be relinquished within ninety (90) days from the completed conversion date. Confirmation of relinquished code(s) must be in writing and come from the NANP Administrator.

(E) Liability of the Telephone Company

If through the fault of the Telephone Company, the end user or agent is not subscribed to its chosen PIC, the nonrecurring charges in Section 13.3.3(G) do not apply to reassign the end user or agent to his chosen PIC.

(F) IC Desired Due Date (ICDDD) for PIC Installation

An IC may request a desired due date for PIC installation for a specific, single end user or agent acting on behalf of an end user post equal access conversion. This ICDDD is a mutually agreed upon negotiated due date, determined to be between 3 and 45 business days from the date of receipt of the order. The IC must coordinate the ICDDD with the Telephone Company prior to sending in the first order.

The ICDDD does not apply to routine lists provided by the ICs. The Nonrecurring Charge for Primary Interexchange Carriers, as set forth in Section 13.3.3(G) following applies to each line converted to the IC requesting ICDDD. This charge will be billed to the IC's end user customer.

SECTION NO. 13

13. Additional Engineering, Additional Labor and Miscellaneous Services (Cont'd)

13.3 Miscellaneous Services (Cont'd)

13.3.3 Presubscription (Cont'd)

(G) PIC Freeze

PIC Restriction, also known as PIC Freeze, allows a customer to select a PIC of their choice, then restrict it from future changes without their authorization. A code is placed on the customer's record that prevents a change to the PIC. This service will be offered to the end user at no charge by the Telephone Company. A PIC change will occur only when notification is received, by the Business Office/Call Center, from the customer either verbally, with proof of identity, or via a written request.

(H) Nonrecurring charges for presubscription are as follows:

ELKO DIVISION

	<u>Nonrecurring Charge</u>	
	<u>IntraLATA</u>	<u>InterLATA</u>
*Presubscription - per Telephone Exchange Service, Line or Trunk	\$5.00	\$5.00
*Presubscription - per Telephone Exchange Service, Line or Trunk	<u>Nonrecurring Charge Simultaneous Change</u> \$5.00	
Unauthorized PIC Change Charge -per Telephone Exchange Service, Line or Trunk	\$10.00	\$10.00
Unauthorized PIC Change Charge - per Telephone Exchange Service, Line or Trunk	<u>Nonrecurring Charge Simultaneous Change</u> \$10.00	

TONOPAH DIVISION

	<u>Nonrecurring Charge</u>	
	<u>IntraLATA</u>	<u>InterLATA</u>
*Presubscription - per Telephone Exchange Service, Line or Trunk	\$5.00	\$5.00

*Note: This charge is billed to the end user who is the subscriber to the Telephone Exchange Service.

Issued: February 15, 2002

Issued By

Laurie A. Maffett

Effective: April 18, 2002 Vice President Regulatory and Government Affairs

Advice No.:

SECTION NO. 13

13. Additional Engineering, Additional Labor and Miscellaneous Services (Cont'd)

13.3 Miscellaneous Services (Cont'd)

13.3.3 Presubscription (Cont'd)

(G) Nonrecurring charges for presubscription are as follows: (Cont'd)

TONOPAH DIVISION

*Presubscription
- per Telephone Exchange
Service, Line or Trunk

Nonrecurring Charge
Simultaneous Change
\$5.00

Unauthorized PIC Change Charge
-per Telephone Exchange
Service, Line or Trunk

Nonrecurring Change
IntraLATA InterLATA

\$10.00 \$10.00

Unauthorized PIC Change Charge
- per Telephone Exchange
Service, Line or Trunk

Nonrecurring Charge
Simultaneous Change
\$10.00

*Note: This charge is billed to the end user who is the subscriber to the Telephone Exchange Service.

Issued: February 15, 2002

Issued By

Laurie A. Maffett

Effective: April 18, 2002 Vice President Regulatory and Government Affairs
Advice No.:

SECTION NO. 13

13. Additional Engineering, Additional Labor and Miscellaneous Services (Cont'd)

13.3 Miscellaneous Services (Cont'd)

13.3.4 Standard Jacks - Registration Program, ELKO DIVISION

Standard jacks are provided by the Telephone Company to connect Registered Equipment to those services that are subject to the Registration Program as set forth in 2.5 preceding. The use of jacks is covered in Part 68 of the F.C.C.'s Rules and Regulations. Specific jacks are described in the document on file with the FCC entitled "Descriptions of Standard Registration Program Connection Configurations Supplementing Configurations Described in Subpart F of Part 68 of the FCC's Rules and Regulations."

These jacks are used to terminate services provided by the Telephone Company. Other services or facilities provided by the Telephone Company or by others may also be terminated in any spare capacity of the jacks remaining after installation without additional charge for the use of such capacity.

The nonrecurring charges, which include installation, for standard jacks and their typical uses are set forth following:

		Nonrecurring Charges	
		<u>IntraLATA</u>	<u>InterLATA</u>
(A)	<u>Standard Voice Jacks</u>		
(1)	Miniature six-position jacks for connection of terminal equipment as follows:		
(a)	Single line telephone set surface or flush mounted.	\$18.28	\$50.93
(b)	Single line telephone sets wall mounted.	\$18.28	\$50.93

Issued: February 15, 2002

Issued By
Laurie A. Maffett

Effective: April 18, 2002 Vice President Regulatory and Government Affairs
Advice No.:

SECTION NO. 13

13. Additional Engineering, Additional Labor and Miscellaneous Services (Cont'd)

13.3 Miscellaneous Services (Cont'd)

13.3.4 Standard Jacks - Registration Program (Cont'd) ELKO DIVISION

(A) Standard Voice Jacks (Cont'd)

(1) (Cont'd)

		Nonrecurring Charges	
		<u>IntraLATA</u>	<u>InterLATA</u>
(c)	Two-line nonkey telephone sets surface or flush mounted.	\$18.28	\$50.93
(d)	Single-line bridged 4-wire exchange 2/RT, T1/R1.	\$18.28	\$50.93
(e)	Two-line nonkey telephone sets wall mounted.	\$18.28	\$50.93
(f)	Special single line equipment for use in hospital critical care areas.	\$18.28	\$50.93
(g)	9DB single line data equipment with mode indication and mode indication common leads. This jack is normally used in association with a series jack.	\$18.28	\$50.93
(h)	Three-line non-key telephone sets and ancillary devices.	\$89.58	\$249.57

Issued: February 15, 2002

Issued By
Laurie A. Maffett

Effective: April 18, 2002 Vice President Regulatory and Government Affairs
Advice No.:

SECTION NO. 13

13. Additional Engineering, Additional Labor and Miscellaneous Services (Cont'd)

13.3 Miscellaneous Services (Cont'd)

13.3.4 Standard Jacks - Registration Program (Cont'd) ELKO DIVISION

(A) Standard Voice Jacks (Cont'd)

	Nonrecurring Charges	
	<u>IntraLATA</u>	<u>InterLATA</u>
(2) 50 Position Miniature Ribbon for connection of multiline terminating equipment and channel derivation devices as follows:		
(a) For connection to 2-wire tie trunks E&M type I signaling. (12 line capacity)	\$292.50	\$814.93
(b) For connection to 4 wire tie trunks E&M type I signaling. (8 line capacity)	\$292.50	\$814.93
(c) For connection to 2-wire tie trunks E&M type II signaling. (8 line capacity)	\$292.50	\$814.93
(d) For connection to 4-wire tie trunks E&M type II signaling. (6 line capacity)	\$292.50	\$814.93
(e) For connection to off-premises station lines. (25 line capacity)	\$292.50	\$814.93

Issued: February 15, 2002

Issued By
Laurie A. Maffett

Effective: April 18, 2002 Vice President Regulatory and Government Affairs
Advice No.:

SECTION NO. 13

13. Additional Engineering, Additional Labor and Miscellaneous Services (Cont'd)

13.3 Miscellaneous Services (Cont'd)

13.3.4 Standard Jacks - Registration Program (Cont'd) ELKO DIVISION

		Nonrecurring Charges	
		<u>IntraLATA</u>	<u>InterLATA</u>
(A)	<u>Standard Voice Jacks (Cont'd)</u>		
(2)	(Cont'd)		
	(f) For use with series devices such as toll restrictors. (12 line capacity)	\$191.95	\$534.80
	(g) For connection of up to 12 line bridged 4-wire exchange 2/RT, T1/R1.	\$182.81	\$509.33
(3)	Series Jacks for connection of terminal equipment as follows:		
	(a) Single line alarm reporting devices.	\$120.65	\$336.16
	(b) Series ancillary devices such as automatic dialers. Single line sets with exclusion.	\$120.65	\$336.16
	(c) Two line telephone sets with exclusion on one line.	\$120.65	\$336.16
(4)	Weatherproof Jack for use with single line telephone sets used at locations such as boats and marinas.	\$219.37	\$611.20

Issued: February 15, 2002

Issued By
Laurie A. Maffett

Effective: April 18, 2002 Vice President Regulatory and Government Affairs
Advice No.:

SECTION NO. 13

13. Additional Engineering, Additional Labor and Miscellaneous Services (Cont'd)

13.3 Miscellaneous Services (Cont'd)

13.3.4 Standard Jacks - Registration Program (Cont'd) ELKO DIVISION

(B) Standard Data Jacks

		Nonrecurring Charges	
		<u>IntraLATA</u>	<u>InterLATA</u>
(1)	Universal Data Jack for use in connecting fixed loss loop (FLL) and programmed (P) types of data equipment. (1 line capacity)	\$118.83	\$331.06
(2)	Programmed Data Jack for use in connecting programmed data equipment. (1 line capacity)	\$118.83	\$331.06
(3)	Multiple Line Universal Data Jack for use in connecting fixed loss loop (FLL) and programmed (P) types of data equipment. This jack will terminate up to eight lines. The selection of this jack requires the use of the equipment listed following.	\$457.03	\$1,273.33
(a)	Multiple Line Universal Data Jack Circuit Cards. For use with RJ26X. One circuit card per circuit required.	\$144.42	\$402.37

Issued: February 15, 2002

Issued By
Laurie A. Maffett

Effective: April 18, 2002 Vice President Regulatory and Government Affairs
Advice No.:

SECTION NO. 13

13. Additional Engineering, Additional Labor and Miscellaneous Services (Cont'd)

13.3 Miscellaneous Services (Cont'd)

13.3.4 Standard Jacks - Registration Program (Cont'd) ELKO DIVISION

(B) Standard Data Jacks (Cont'd)

(3)	(Cont'd)	Nonrecurring Charges	
		<u>IntraLATA</u>	<u>InterLATA</u>
(b)	Multiple Line Universal Data Jack Mounting options. For use with RJ26X. One required per RJ26X.		
	- Wall Mounting with cover.	\$82.26	\$229.20
	- Rack Mounting (19 inch or 23 inch)	\$51.19	\$142.61

Issued: February 15, 2002

Issued By
Laurie A. Maffett

Effective: April 18, 2002 Vice President Regulatory and Government Affairs
Advice No.:

SECTION NO. 13

13. Additional Engineering, Additional Labor and Miscellaneous Services (Cont'd)

13.3 Miscellaneous Services (Cont'd)

13.3.4 Standard Jacks - Registration Program, TONOPAH DIVISION

Standard jacks are provided by the Telephone Company to connect Registered Equipment to those services that are subject to the Registration Program as set forth in 2.5 preceding. The use of jacks is covered in Part 68 of the F.C.C.'s Rules and Regulations. Specific jacks are described in the document on file with the FCC entitled "Descriptions of Standard Registration Program Connection Configurations Supplementing Configurations Described in Subpart F of Part 68 of the FCC's Rules and Regulations."

These jacks are used to terminate services provided by the Telephone Company. Other services or facilities provided by the Telephone Company or by others may also be terminated in any spare capacity of the jacks remaining after installation without additional charge for the use of such capacity.

The nonrecurring charges, which include installation, for standard jacks and their typical uses are set forth following:

		Nonrecurring Charges	
		<u>IntraLATA</u>	<u>InterLATA</u>
(A)	<u>Standard Voice Jacks</u>		
(1)	Miniature six-position jacks for connection of terminal equipment as follows:		
(a)	Single line telephone set surface or flush mounted.	\$18.12	\$21.52
(b)	Single line telephone sets wall mounted.	\$18.12	\$21.52

Issued: February 15, 2002

Issued By
Laurie A. Maffett

Effective: April 18, 2002 Vice President Regulatory and Government Affairs
Advice No.:

SECTION NO. 13

13. Additional Engineering, Additional Labor and Miscellaneous Services (Cont'd)

13.3 Miscellaneous Services (Cont'd)

13.3.4 Standard Jacks - Registration Program (Cont'd) TONOPAH DIVISION

(A) Standard Voice Jacks (Cont'd)

(1) (Cont'd)

		Nonrecurring Charges	
		<u>IntraLATA</u>	<u>InterLATA</u>
(c)	Two-line nonkey telephone sets surface or flush mounted.	\$18.12	\$21.52
(d)	Single-line bridged 4-wire exchange 2/RT, T1/R1.	\$18.12	\$21.52
(e)	Two-line nonkey telephone sets wall mounted.	\$18.12	\$21.52
(f)	Special single line equipment for use in hospital critical care areas.	\$18.12	\$21.52
(g)	9DB single line data equipment with mode indication and mode indication common leads. This jack is normally used in association with a series jack.	\$18.12	\$21.52
(h)	Three-line non-key telephone sets and ancillary devices.	\$88.79	\$105.44

Issued: February 15, 2002

Issued By

Laurie A. Maffett

Effective: April 18, 2002 Vice President Regulatory and Government Affairs
Advice No.:

SECTION NO. 13

13. Additional Engineering, Additional Labor and Miscellaneous Services (Cont'd)

13.3 Miscellaneous Services (Cont'd)

13.3.4 Standard Jacks - Registration Program (Cont'd) TONOPAH DIVISION

(A) Standard Voice Jacks (Cont'd)

	Nonrecurring Charges	
	<u>IntraLATA</u>	<u>InterLATA</u>
(2) 50 Position Miniature Ribbon for connection of multiline terminating equipment and channel derivation devices as follows:		
(a) For connection to 2-wire tie trunks E&M type I signaling. (12 line capacity)	\$289.94	\$344.29
(b) For connection to 4 wire tie trunks E&M type I signaling. (8 line capacity)	\$289.94	\$344.29
(c) For connection to 2-wire tie trunks E&M type II signaling. (8 line capacity)	\$289.94	\$344.29
(d) For connection to 4-wire tie trunks E&M type II signaling. (6 line capacity)	\$289.94	\$344.29
(e) For connection to off-premises station lines. (25 line capacity)	\$289.94	\$344.29

Issued: February 15, 2002

Issued By
Laurie A. Maffett

Effective: April 18, 2002 Vice President Regulatory and Government Affairs
Advice No.:

SECTION NO. 13

13. Additional Engineering, Additional Labor and Miscellaneous Services (Cont'd)

13.3 Miscellaneous Services (Cont'd)

13.3.4 Standard Jacks - Registration Program (Cont'd) TONOPAH DIVISION

		Nonrecurring Charges	
		<u>IntraLATA</u>	<u>InterLATA</u>
(A)	<u>Standard Voice Jacks (Cont'd)</u>		
(2)	(Cont'd)		
(f)	For use with series devices such as toll restrictors. (12 line capacity)	\$190.27	\$225.94
(g)	For connection of up to 12 line bridged 4-wire exchange 2/RT, T1/R1.	\$181.21	\$215.18
(3)	Series Jacks for connection of terminal equipment as follows:		
(a)	Single line alarm reporting devices.	\$119.60	\$142.02
(b)	Series ancillary devices such as automatic dialers. Single line sets with exclusion.	\$119.60	\$142.02
(c)	Two line telephone sets with exclusion on one line.	\$119.60	\$142.02
(4)	Weatherproof Jack for use with single line telephone sets used at locations such as boats and marinas.	\$217.49	\$258.22

Issued: February 15, 2002

Issued By
Laurie A. Maffett

Effective: April 18, 2002 Vice President Regulatory and Government Affairs
Advice No.:

SECTION NO. 13

13. Additional Engineering, Additional Labor and Miscellaneous Services (Cont'd)

13.3 Miscellaneous Services (Cont'd)

13.3.4 Standard Jacks - Registration Program (Cont'd) TONOPAH DIVISION

(B) Standard Data Jacks

		Nonrecurring Charges	
		<u>IntraLATA</u>	<u>InterLATA</u>
(1)	Universal Data Jack for use in connecting fixed loss loop (FLL) and programmed (P) types of data equipment. (1 line capacity)	\$117.79	\$139.87
(2)	Programmed Data Jack for use in connecting programmed data equipment. (1 line capacity)	\$117.79	\$139.87
(3)	Multiple Line Universal Data Jack for use in connecting fixed loss loop (FLL) and programmed (P) types of data equipment. This jack will terminate up to eight lines. The selection of this jack requires the use of the equipment listed following.	\$453.03	\$537.95
(a)	Multiple Line Universal Data Jack Circuit Cards. For use with RJ26X. One circuit card per circuit required.	\$143.16	\$169.99

Issued: February 15, 2002

Issued By
Laurie A. Maffett

Effective: April 18, 2002 Vice President Regulatory and Government Affairs
Advice No.:

SECTION NO. 13

13. Additional Engineering, Additional Labor and Miscellaneous Services (Cont'd)

13.3 Miscellaneous Services (Cont'd)

13.3.4 Standard Jacks - Registration Program (Cont'd) TONOPAH DIVISION

(B) Standard Data Jacks (Cont'd)

(3)	(Cont'd)	Nonrecurring Charges	
		<u>IntraLATA</u>	<u>InterLATA</u>
(b)	Multiple Line Universal Data Jack Mounting options. For use with RJ26X. One required per RJ26X.		
	- Wall Mounting with cover.	\$81.54	\$96.83
	- Rack Mounting (19 inch or 23 inch)	\$50.74	\$60.25

Issued: February 15, 2002

Issued By
Laurie A. Maffett

Effective: April 18, 2002 Vice President Regulatory and Government Affairs
Advice No.:

SECTION NO. 13

13. Additional Engineering, Additional Labor and Miscellaneous Services (Cont'd)

13.3 Miscellaneous Services (Cont'd)

13.3.5 Testing Services

Testing Services offered under this section of the tariff are optional and subject to rates and charges as set forth in 13.3.5(C) following. Other testing services, as described in Section 6 and 7.1.7 preceding, are provided by the Telephone Company in association with Access Services and are furnished at no additional charge. (T)

Testing services are normally provided by Telephone Company personnel at Telephone Company locations. However, provisions are made in (A)(3) and (B)(2) following for a customer to request Telephone Company personnel to perform testing services at the customer's premises.

The offering of Testing Services under this section of the tariff is made subject to the availability of the necessary qualified personnel and test equipment at the various test locations mentioned in (A), (B) and (C) following:

(A) Switched Access Service

Testing Services for Switched Access are comprised of (a) tests which are performed during the installation of a Switched Access Service, i.e., Acceptance Tests, (b) tests which are performed after acceptance of such access services by a customer which are without charge i.e., routine testing and (c) additional tests which are performed during or after acceptance of such access services by a customer for which additional charges apply, i.e., Additional Cooperative Acceptance Tests and in-service tests.

Routine tests are those tests performed by the Telephone Company on a regular basis, as set forth in Section 6, which are required to maintain Switched Access Service. Additional in-service tests may be done on an automatic basis (T)

SECTION NO. 13

13. Additional Engineering, Additional Labor and Miscellaneous Services (Cont'd)

13.3 Miscellaneous Services (Cont'd)

13.3.5 Testing Services (Cont'd)

(A) Switched Access Service (Cont'd)

(no Telephone Company or customer technicians involved), on a manual basis (Telephone Company technician(s) involved at Telephone Company office(s) and Telephone Company or customer technician(s) involved at customer designated premises).

Testing services are ordered to the Dial Tone Office for FGA, to the access tandem or end office for FGB (wherever the FGB service is ordered) and to the end office for FG's C and D. Testing Services for Directory Assistance Service not routed through an access tandem is ordered to a Directory Assistance Location for each NPA.

(1) Additional Cooperative Acceptance Testing (ACAT)

Additional Cooperative Acceptance Testing of Switched Access Service involves the Telephone Company provision of a technician at its office(s) and the customer provision of a technician at its premises, with suitable test equipment to perform the required tests.

Additional Cooperative Acceptance Tests may, for example, consist of the following tests:

- . Impulse Noise
- . Phase Jitter
- . Signal to C-Notched Noise Ratio
- . Intermodulation (Nonlinear) Distortion
- . Frequency Shift (Offset)
- . Envelope Delay Distortion
- . Dial Pulse Percent Break

(2) Additional Automatic Testing

Additional Automatic Testing (AAT) of Switched Access Services (Feature Groups B, C and D), is a service where

SECTION NO. 13

13. Additional Engineering, Additional Labor and Miscellaneous Services (Cont'd)

13.3 Miscellaneous Services (Cont'd)

13.3.5 Testing Services (Cont'd)

(A) Switched Access Service (Cont'd)

(2) Additional Automatic Testing (Cont'd)

the customer provides remote office test lines and 105 test lines with associated responders or their functional equivalent. The customer may order, at additional charges, gain-slope and C-notched noise testing and may order the routine tests (1004 Hz loss, C-Message Noise and Balance) on an as needed or more than routine schedule.

The Telephone Company will provide an AAT report that lists the test results for each trunk tested. Trunk test failures requiring customer participation for trouble resolution will be provided to the customer on an as-occurs basis.

SECTION NO. 13

13. Additional Engineering, Additional Labor and Miscellaneous Services (Cont'd)

13.3 Miscellaneous Services (Cont'd)

13.3.5 Testing Services (Cont'd)

(A) Switched Access Service (Cont'd)

(3) Additional Manual Testing

Additional Manual Testing (AMT) of Switched Access Services (Feature Groups A, B, C, and D and Directory Access Service not routed through an access tandem), where the Telephone Company provides a technician at its office(s) and the Telephone Company or customer provides a technician at the customer designated premises, with suitable test equipment to perform the required tests, will normally consist of gain-slope and C-notched noise testing. However, the Telephone Company will conduct any additional tests which the IC may request.

The Telephone Company will provide an AMT report listing that the test results for each trunk tested. Trunk test failures requiring customer participation for trouble resolution will be provided to the customer on a occurrence basis.

SECTION NO. 13

13. Additional Engineering, Additional Labor and Miscellaneous Services (Cont'd)

13.3 Miscellaneous Services (Cont'd)

13.3.5 Testing Services (Cont'd)

(A) Switched Access Service (Cont'd)

(4)

(5) Obligations of the Customer

(A) The customer shall provide the Remote Office Test Line priming data to the Telephone Company, as appropriate, to support routine testing as set forth in Section 6 or AAT as set forth in 13.3.5(A)(2) preceding.

(T)

(B) The customer shall make the facilities to be tested available to the Telephone Company at times mutually agreed upon.

SECTION NO. 13

13. Additional Engineering, Additional Labor and Miscellaneous Services (Cont'd)

13.3 Miscellaneous Services (Cont'd)

13.3.5 Testing Services (Cont'd)

(B) Special Access Service

The Telephone Company will provide assistance in performing specific tests requested by the customer.

(1) Additional Cooperative Acceptance Testing (ACAT)

When a customer provides a technician at its premises or at an end user's premises, with suitable test equipment to perform the requested tests, the Telephone Company will provide a technician at its office for the purpose of conducting Additional Cooperative Acceptance Testing on Voice Grade Services. At the customers' request, the Telephone Company will provide a technician at the customer's premises or at the end user premises. These tests may, for example, consist of the following:

- Attenuation Distortion (i.e., frequency response)
- Intermodulation Distortion (i.e., harmonic distortion)
- Phase Jitter
- Impulse Noise
- Envelope Delay Distortion
- Echo Control
- Frequency Shift

(2) Additional Manual Testing

The Telephone Company will provide a technician at its premises, and the Telephone Company or customer will provide a technician at the customer's designated premises with suitable test equipment to perform the requested tests.

SECTION NO. 13

13. Additional Engineering, Additional Labor and Miscellaneous Services (Cont'd)

13.3 Miscellaneous Services (Cont'd)

13.3.5 Testing Services (Cont'd)

(B) Special Access Service (Cont'd)

(3) Obligation of the Customer

When the customer subscribes to Testing Service as set forth in this section, the customer shall make the facilities to be tested available to the Telephone Company at times mutually agreed upon.

(C) Rates and Charges

(1) Switched Access

(a) Additional Cooperative Acceptance Testing

<u>Testing Periods</u>	<u>Each Half Hour or Fraction Thereof</u>
Basic Time, Overtime* and Premium Time*	See the rates for Additional Labor as set forth in 13.2.6(C) preceding.

* A call-out of a Telephone Company employee at a time not consecutive with the employee's scheduled work period is subject to a minimum charge of four hours.

SECTION NO. 13

13. Additional Engineering, Additional Labor and Miscellaneous Services (Cont'd)

13.3 Miscellaneous Services (Cont'd)

13.3.5 Testing Services (Cont'd)

(C) Rates and Charges (Cont'd) ELKO DIVISION

(1) Switched Access (Cont'd)

(b) Additional Automatic Testing (AAT)

The Additional Tests as set forth following may be ordered by the customer, at additional charges, 60 days prior to the start of the customer prescribed schedule.

To First Point
of Switching

Additional Tests

	Per Test Per Transmission Path	
	<u>IntraLATA</u>	<u>InterLATA</u>
Gain-Slope Tests	\$5.61	\$15.64
C-Notched Noise Tests	\$5.61	\$15.64
1004 Hz Loss*	\$5.61	\$15.64
C-Message Noise*	\$5.61	\$15.64
Balance (return loss)*	\$5.61	\$15.64

* 1004 Hz Loss, C-Message Noise and Balance are non-chargeable routine tests, however, they may be requested on an as needed or more than routine scheduled basis, in which case the charges herein apply.

Issued: February 15, 2002

Issued By

Laurie A. Maffett

Effective: April 18, 2002 Vice President Regulatory and Government Affairs

Advice No.:

SECTION NO. 13

13. Additional Engineering, Additional Labor and Miscellaneous Services (Cont'd)

13.3 Miscellaneous Services (Cont'd)

13.3.5 Testing Services (Cont'd)

(C) Rates and Charges (Cont'd) TONOPAH DIVISION

(1) Switched Access (Cont'd)

(b) Additional Automatic Testing (AAT)

The Additional Tests as set forth following may be ordered by the customer, at additional charges, 60 days prior to the start of the customer prescribed schedule.

To First Point
of Switching

Additional Tests

	Per Test Per Transmission Path	
	<u>IntraLATA</u>	<u>InterLATA</u>
Gain-Slope Tests	\$5.56	\$6.61
C-Notched Noise Tests	\$5.56	\$6.61
1004 Hz Loss*	\$5.56	\$6.61
C-Message Noise*	\$5.56	\$6.61
Balance (return loss)*	\$5.56	\$6.61

* 1004 Hz Loss, C-Message Noise and Balance are non-chargeable routine tests, however, they may be requested on an as needed or more than routine scheduled basis, in which case the charges herein apply.

Issued: February 15, 2002

Issued By

Laurie A. Maffett

Effective: April 18, 2002 Vice President Regulatory and Government Affairs

Advice No.:

SECTION NO. 13

13. Additional Engineering, Additional Labor and Miscellaneous Services (Cont'd)

13.3 Miscellaneous Services (Cont'd)

13.3.5 Testing Services (Cont'd)

(C) Rates and Charges (Cont'd)

(1) Switched Access (Cont'd)

(c) Additional Manual Testing

The Additional Tests as set forth following may be ordered by the customer, at additional charges, 60 days prior to the start of the testing schedule as mutually agreed to by the customer and the Telephone Company.

To First Point
of Switching

Additional Tests

Gain-Slope,
C-Notched Noise and
any other agreed to
tests, per technician

Each Half Hour
or Fraction Thereof

See the rates for
Additional Labor
as set forth in
13.2.6(C)preceding

SECTION NO. 13

13. Additional Engineering, Additional Labor and Miscellaneous Services (Cont'd)

13.3 Miscellaneous Services (Cont'd)

13.3.5 Testing Services (Cont'd)

(C) Rates and Charges (Cont'd)

(2) Special Access

(a) Additional Cooperative Acceptance Testing (ACAT)

Testing Periods

Basic Time, Overtime*
and Premium Time*

Each Half Hour or
Fraction Thereof

See the rates for
Additional Labor as
set forth in 13.2.6(C)
preceding.

* A call-out of a Telephone Company employee at a time not consecutive with the employee's scheduled work period is subject to a minimum charge of four hours.

SECTION NO. 13

13. Additional Engineering, Additional Labor and Miscellaneous Services (Cont'd)

13.3 Miscellaneous Services (Cont'd)

13.3.5 Testing Services (Cont'd)

(C) Rates and Charges (Cont'd)

(2) Special Access (Cont'd)

(b) Additional Manual Cooperative and Additional Manual Testing

Testing Periods

Each Half Hour or
Fraction Thereof

Basic Time, Overtime*
and Premium Time*

See the rates for
Additional Labor as
set forth in 13.2.6(C)
preceding.

13.3.6

* A call-out of a Telephone Company employee at a time not consecutive with the employee's scheduled work period is subject to a minimum charge of four hours.

SECTION NO. 13

13. Additional Engineering, Additional Labor and Miscellaneous Services (Cont'd)

13.3 Miscellaneous Services (Cont'd)

13.3.7 Protective Connecting Arrangements, ELKO DIVISION

The following Protective Connecting Arrangements (PCAs) are grandfathered and are offered subject to on-the-shelf availability:

<u>Description</u>	<u>Monthly Rates</u>		<u>Nonrecurring Charges</u>	
	<u>IntraLATA</u>	<u>InterLATA</u>	<u>IntraLATA</u>	<u>InterLATA</u>
Automatic PCA with a contact type signaling interface for 2 or 4-wire voice-band connections of CPE communications systems to Telephone Company Special Access Services.	\$10.69	\$29.80		
Automatic PCA for connection of a customer, authorized user or joint user provided communications system arranged for CPE dial or automatic channel signaling, to a Telephone Company Special Access Service which terminates at the distant end in a telephone company-provided PBX arranged for dial or automatic signaling (4 wire).	\$18.46	\$51.44	\$159.32	\$443.88
PCA which provides for connection of CPE automatic telephone answering devices to central office, PBX trunk, key system lines, and centrex station lines by means of a 2-wire interface.			ICB rates and charges apply	
PCA for connection of CPE answering or recording equipment to Telephone Company lines, for one-way voice transmission in each direction but not simultaneously. Recording of two-way conversations is prevented, by the PCA.	\$ 9.87	\$27.50	\$ 56.21	\$156.62

Issued: February 15, 2002

Issued By
 Laurie A. Maffett

Effective: April 18, 2002 Vice President Regulatory and Government Affairs
 Advice No.:

SECTION NO. 13

13. Additional Engineering, Additional Labor and Miscellaneous Services (Cont'd)

13.3 Miscellaneous Services (Cont'd)

13.3.7 Protective Connecting Arrangements (Cont'd) ELKO DIVISION

<u>Description</u>	<u>Monthly Rates</u>		<u>Nonrecurring Charges</u>	
	<u>IntraLATA</u>	<u>InterLATA</u>	<u>IntraLATA</u>	<u>InterLATA</u>
PCA for use with CPE answer only equipment where two-way transmission is required.				
				ICB rates and charges apply
PCA for use with CPE answer only equipment where two-way transmission is required with voice control disconnect and automatic receive volume limiting.				
				ICB rates and charges apply
PCA for use with CPE to provide data on PBX trunks. Also requires standard PBX trunk PCA.				
				ICB rates and charges apply
PCA to permit connection of CPE message registers to exchange facilities of the Telephone Company for indications of message registration for outgoing calls over the associated central office trunks (facilities). Each trunk would also have a PCA for connection of the CPE PBX. Association of the trunk with the station is made by the CPE.				
				ICB rates and charges apply
Alarm coupler for use with rotary dial, one-way transmission CPE alarm signaling device.				
				ICB rates and charges apply

Issued: February 15, 2002

Issued By
 Laurie A. Maffett

Effective: April 18, 2002 Vice President Regulatory and Government Affairs
 Advice No.:

SECTION NO. 13

13. Additional Engineering, Additional Labor and Miscellaneous Services (Cont'd)

13.3 Miscellaneous Services (Cont'd)

13.3.7 Protective Connecting Arrangements (Cont'd) ELKO DIVISION

<u>Description</u>	<u>Monthly Rates</u>		<u>Nonrecurring Charges</u>	
	<u>IntraLATA</u>	<u>InterLATA</u>	<u>IntraLATA</u>	<u>InterLATA</u>
PCA to permit the connection of CPE to a Telephone Company special recording trunk arranged for 2-way service, i.e., outward dialing by hotel/motel guests and rering by the operator of the Telephone Company long distance switchboard (the equivalent of a toll terminal).			ICB rates and charges apply	
For termination of CPE tie lines, with CPE channel signaling, in Centrex systems 4-wire.	\$13.16	\$36.67	\$39.49	\$110.02
PCA used for automatic connection of CPE voice transmitting and/or receiving terminal equipment to an exchange line or PBX/CTX station line, or to a WATS Service.	\$17.18	\$47.88	\$14.26	\$39.73
PCA to provide for connection of CPE terminal equipment to Telephone Company central office key system and PBX station lines and WATS Service via 3-wire interface.			ICB rates and charges apply	

Issued: February 15, 2002

Issued By
 Laurie A. Maffett

Effective: April 18, 2002 Vice President Regulatory and Government Affairs
 Advice No.:

SECTION NO. 13

13. Additional Engineering, Additional Labor and Miscellaneous Services (Cont'd)

13.3 Miscellaneous Services (Cont'd)

13.3.7 Protective Connecting Arrangements (Cont'd) ELKO DIVISION

<u>Description</u>	<u>Monthly Rates</u>		<u>Nonrecurring Charges</u>	
	<u>IntraLATA</u>	<u>InterLATA</u>	<u>IntraLATA</u>	<u>InterLATA</u>
PCA for connection of CPE voice communications systems and/or terminal equipment via 2-wire interface to Telephone Company lines and trunks (only loop start trunks not equipped for toll diversion), or terminal equipment.				
		ICB rates and charges apply		
Manual PCA used to connect a cord switchboard position of a CPE system, which provides supervisory signals, to an exchange trunk line.				
		ICB rates and charges apply		
Automatic PCA used to connect an exchange trunk line arranged for two-way combination service to and from the attendant position and from the dial switching equipment of a CPE system.	\$19.10	\$53.22	\$71.39	\$198.89
Automatic PCA used to connect an exchange trunk line arranged for one-way incoming service to the attendant position of a CPE system.				
		ICB rates and charges apply		
Automatic PCA used to connect an exchange trunk line arranged for one-way outgoing service from the attendant position of a CPE system.				
		ICB rates and charges apply		

Issued: February 15, 2002

Issued By
 Laurie A. Maffett

Effective: April 18, 2002 Vice President Regulatory and Government Affairs
 Advice No.:

SECTION NO. 13

13. Additional Engineering, Additional Labor and Miscellaneous Services (Cont'd)

13.3 Miscellaneous Services (Cont'd)

13.3.7 Protective Connecting Arrangements (Cont'd) ELKO DIVISION

<u>Description</u>	<u>Monthly Rates</u>		<u>Nonrecurring Charges</u>	
	<u>IntraLATA</u>	<u>InterLATA</u>	<u>IntraLATA</u>	<u>InterLATA</u>
Automatic PCA used to connect an exchange trunk line arranged for one-way outgoing service from the dial switching equipment of a CPE system.				
		ICB rates and charges apply		
Automatic PCA used to connect an exchange trunk line arranged for two-way service to and from the attendant position of a CPE system.	\$14.26	\$39.73	\$71.39	\$198.89
PCA used for automatic connecting of CPE voice transmitting and/or receiving terminal equipment bridged to an exchange line or PBX/CTX station line, or to a WATS Service, which is terminated in a Telephone Company station.	\$17.18	\$47.88	\$14.26	\$39.73
Automatic PCA used to connect an exchange trunk line, arranged for one-way service, i.e., outward dialing by hotel/motel guests to the operator position of a Telephone Company long distance switchboard (the equivalent of a toll terminal).				
		ICB rates and charges apply		
PCA to provide for connection of CPE originate only or originate and answer terminal equipment.				
		ICB rates and charges apply		

Issued: February 15, 2002

Issued By
 Laurie A. Maffett

Effective: April 18, 2002 Vice President Regulatory and Government Affairs
 Advice No.:

SECTION NO. 13

13. Additional Engineering, Additional Labor and Miscellaneous Services (Cont'd)

13.3 Miscellaneous Services (Cont'd)

13.3.7 Protective Connecting Arrangements, TONOPAH DIVISION

The following Protective Connecting Arrangements (PCAs) are grandfathered and are offered subject to on-the-shelf availability:

<u>Description</u>	<u>Monthly Rates</u>		<u>Nonrecurring Charges</u>	
	<u>IntraLATA</u>	<u>InterLATA</u>	<u>IntraLATA</u>	<u>InterLATA</u>
Automatic PCA with a contact type signaling interface for 2 or 4-wire voice-band connections of CPE communications systems to Telephone Company Special Access Services.	\$10.60	\$12.59		
Automatic PCA for connection of a customer, authorized user or joint user provided communications system arranged for CPE dial or automatic channel signaling, to a Telephone Company Special Access Service which terminates at the distant end in a telephone company-provided PBX arranged for dial or automatic signaling (4 wire).	\$18.30	\$21.73	\$157.92	\$187.53
PCA which provides for connection of CPE automatic telephone answering devices to central office, PBX trunk, key system lines, and centrex station lines by means of a 2-wire interface.			ICB rates and charges apply	
PCA for connection of CPE answering or recording equipment to Telephone Company lines, for one-way voice transmission in each direction but not simultaneously. Recording of two-way conversations is prevented, by the PCA.	\$ 9.79	\$11.62	\$ 55.72	\$ 66.17

Issued: February 15, 2002

Issued By
 Laurie A. Maffett

Effective: April 18, 2002 Vice President Regulatory and Government Affairs
 Advice No.:

SECTION NO. 13

13. Additional Engineering, Additional Labor and Miscellaneous Services (Cont'd)

13.3 Miscellaneous Services (Cont'd)

13.3.7 Protective Connecting Arrangements (Cont'd) TONOPAH DIVISION

<u>Description</u>	<u>Monthly Rates</u>		<u>Nonrecurring Charges</u>	
	<u>IntraLATA</u>	<u>InterLATA</u>	<u>IntraLATA</u>	<u>InterLATA</u>
PCA for use with CPE answer only equipment where two-way transmission is required.				
				ICB rates and charges apply
PCA for use with CPE answer only equipment where two-way transmission is required with voice control disconnect and automatic receive volume limiting.				
				ICB rates and charges apply
PCA for use with CPE to provide data on PBX trunks. Also requires standard PBX trunk PCA.				
				ICB rates and charges apply
PCA to permit connection of CPE message registers to exchange facilities of the Telephone Company for indications of message registration for outgoing calls over the associated central office trunks (facilities). Each trunk would also have a PCA for connection of the CPE PBX. Association of the trunk with the station is made by the CPE.				
				ICB rates and charges apply
Alarm coupler for use with rotary dial, one-way transmission CPE alarm signaling device.				
				ICB rates and charges apply

Issued: February 15, 2002

Issued By
 Laurie A. Maffett

Effective: April 18, 2002 Vice President Regulatory and Government Affairs
 Advice No.:

SECTION NO. 13

13. Additional Engineering, Additional Labor and Miscellaneous Services (Cont'd)

13.3 Miscellaneous Services (Cont'd)

13.3.7 Protective Connecting Arrangements (Cont'd), TONOPAH DIVISION

<u>Description</u>	<u>Monthly Rates</u>		<u>Nonrecurring Charges</u>	
	<u>IntraLATA</u>	<u>InterLATA</u>	<u>IntraLATA</u>	<u>InterLATA</u>
PCA to permit the connection of CPE to a Telephone Company special recording trunk arranged for 2-way service, i.e., outward dialing by hotel/motel guests and rering by the operator of the Telephone Company long distance switchboard (the equivalent of a toll terminal).				
		ICB rates and charges apply		
For termination of CPE tie lines, with CPE channel signaling, in Centrex systems 4-wire.	\$13.05	\$15.49	\$39.14	\$46.48
PCA used for automatic connection of CPE voice transmitting and/or receiving terminal equipment to an exchange line or PBX/CTX station line, or to a WATS Service.	\$17.03	\$20.23	\$14.13	\$16.78
PCA to provide for connection of CPE terminal equipment to Telephone Company central office key system and PBX station lines and WATS Service via 3-wire interface.				
		ICB rates and charges apply		

Issued: February 15, 2002

Issued By
 Laurie A. Maffett

Effective: April 18, 2002 Vice President Regulatory and Government Affairs
 Advice No.:

SECTION NO. 13

13. Additional Engineering, Additional Labor and Miscellaneous Services (Cont'd)

13.3 Miscellaneous Services (Cont'd)

13.3.7 Protective Connecting Arrangements (Cont'd) TONOPAH DIVISION

<u>Description</u>	<u>Monthly Rates</u>		<u>Nonrecurring Charges</u>	
	<u>IntraLATA</u>	<u>InterLATA</u>	<u>IntraLATA</u>	<u>InterLATA</u>
PCA for connection of CPE voice communications systems and/or terminal equipment via 2-wire interface to Telephone Company lines and trunks (only loop start trunks not equipped for toll diversion), or terminal equipment.				
				ICB rates and charges apply
Manual PCA used to connect a cord switchboard position of a CPE system, which provides supervisory signals, to an exchange trunk line.				
				ICB rates and charges apply
Automatic PCA used to connect an exchange trunk line arranged for two-way combination service to and from the attendant position and from the dial switching equipment of a CPE system.	\$18.94	\$22.49	\$70.76	\$84.03
Automatic PCA used to connect an exchange trunk line arranged for one-way incoming service to the attendant position of a CPE system.				
				ICB rates and charges apply
Automatic PCA used to connect an exchange trunk line arranged for one-way outgoing service from the attendant position of a CPE system.				
				ICB rates and charges apply

Issued: February 15, 2002

Issued By
 Laurie A. Maffett

Effective: April 18, 2002 Vice President Regulatory and Government Affairs
 Advice No.:

SECTION NO. 13

13. Additional Engineering, Additional Labor and Miscellaneous Services (Cont'd)

13.3 Miscellaneous Services (Cont'd)

13.3.7 Protective Connecting Arrangements (Cont'd) TONOPAH DIVISION

<u>Description</u>	<u>Monthly Rates</u>		<u>Nonrecurring Charges</u>	
	<u>IntraLATA</u>	<u>InterLATA</u>	<u>IntraLATA</u>	<u>InterLATA</u>
Automatic PCA used to connect an exchange trunk line arranged for one-way outgoing service from the dial switching equipment of a CPE system.				
		ICB rates and charges apply		
Automatic PCA used to connect an exchange trunk line arranged for two-way service to and from the attendant position of a CPE system.	\$14.13	\$16.78	\$70.76	\$84.03
PCA used for automatic connecting of CPE voice transmitting and/or receiving terminal equipment bridged to an exchange line or PBX/CTX station line, or to a WATS Service, which is terminated in a Telephone Company station.	\$17.03	\$20.23	\$14.13	\$16.78
Automatic PCA used to connect an exchange trunk line, arranged for one-way service, i.e., outward dialing by hotel/motel guests to the operator position of a Telephone Company long distance switchboard (the equivalent of a toll terminal).				
		ICB rates and charges apply		
PCA to provide for connection of CPE originate only or originate and answer terminal equipment.				
		ICB rates and charges apply		

Issued: February 15, 2002

Issued By
 Laurie A. Maffett

Effective: April 18, 2002 Vice President Regulatory and Government Affairs
 Advice No.:

SECTION NO. 13

13. Additional Engineering, Additional Labor and Miscellaneous Services (Cont'd)

13.3 Miscellaneous Services (Cont'd)

13.3.8 Miscellaneous Equipment

(A) Controller Arrangement

This arrangement enables the customer to control up to 48 transfer functions at a Telephone Company central office via a remote keyboard terminal capable of either 300 or 1200 bps operation. Included as part of the Controller Arrangement is a dial-up data station located at the Telephone Company Central Office to provide access to the Controller Arrangement. This dial-up data station consists of a 212A DATAPHONE data set and an appropriate Telephone Company provided channel.

The Controller Arrangement must be located in the same Telephone Company central office as the transfer functions which it controls.

	Monthly Rate	
	<u>IntraLATA</u>	<u>InterLATA</u>
- Per arrangement, ELKO DIVISION	\$182.81	\$509.33
- Per arrangement, TONOPAH DIVISION	\$181.21	\$215.18

Issued: February 15, 2002

Issued By
Laurie A. Maffett

Effective: April 18, 2002 Vice President Regulatory and Government Affairs
Advice No.:

SECTION NO. 14

14. **Exceptions to Access Service Offerings**

The services offered under the provisions of this tariff are subject to availability as set forth in 2.1.4 preceding. In addition, the following exceptions apply:

(Paragraphs 14.1 through 14.5 following are reserved for future listings as a result of a subsequent survey. In the meantime, in planning an end-to-end service, the customer should contact the Telephone Company in each customer premises city to assure itself that all of the service or service components required for a given customer service are currently available.)

14.1 **The following service(s) is (are) not offered in the operating territory of listed Issuing Carriers.**

(Reserved for future use.)

14.2 **The following offering(s) is (are) limited to existing locations. No inside moves, rearrangements or additions will be permitted.**

(Reserve for future use.)

14.3 **The following offering(s) is (are) limited to existing locations. Inside moves or rearrangements may be undertaken. However, no additions will be permitted.**

(Reserve for future use.)

14.4 **The following offering(s) is (are) limited to existing locations where additional units may be added for growth. Inside moves or rearrangements may be undertaken.**

(Reserved for future use.)

14.5 **The following offering(s) is (are) limited to existing locations where additional units may be added for growth. However inside moves or rearrangements will not be permitted.**

(Reserved for future use.)

SECTION NO. 15

15. Interface Groups, Transmission Specifications and Channel Interfaces

15.1 Local Transport Interface Groups

Interface Group 1 is provided with Type C Transmission Specifications, and Interface Groups 2 through 10 are provided with Type A or B Transmission Specifications, depending on the Feature Group and whether the Access Service is routed directly or through an access tandem. All Interface Groups are provided with Data Transmission Parameters.

Only certain premises interfaces are available at the customer designated premises. The premises interfaces associated with the Interface Groups may vary among Feature Groups. The various premises interfaces which are available with the Interface Groups, and the Feature Groups with which they may be used, are set forth in 15.1.1 following.

15.1.1 Interface Group 1

Interface Group 1, except as set forth in the following, provides two-wire voice frequency transmission at the point of termination at the customer's premises. The interface is capable of transmission of voice and associated telephone signals within the frequency bandwidth of approximately 300 to 3000 Hz.

Interface Group 1 is not provided in association with FGC and FGD when the first point of switching is an access tandem. In addition, Interface Group 1 is not provided in association with FGB, FGC or FGD when the first point of switching provides only four-wire terminations.

The transmission path between the point of termination at the customer designated premises and the first point of switching may be comprised of any form or configuration of plant capable of and typically used in the telecommunications industry for the transmission of voice and associated telephone signals within the frequency bandwidth of 300 to 3000 Hz.

The interface is provided with loop supervisory signaling. When the interface is associated with FGA, such signaling will be loop start or ground start signaling. When the interface is associated with FGB, FGC or FGD, such signaling, except for two-way calling which is E&M signaling, will be reverse battery signaling.

SECTION NO. 15

15. Interface Groups, Transmission Specifications and Channel Interfaces (Cont'd)

15.1 Local Transport Interface Groups (Cont'd)

15.1.2 Interface Group 2

Interface Group 2 provides four-wire voice frequency transmission at the point of termination at the customer designated premises. The interface is capable of transmission of voice and associated telephone signals within the frequency bandwidth of approximately 300 to 3000 Hz.

The transmission path between the point of termination at the customer designated premises and the first point of switching may be comprised of any form or configuration of plant capable of and typically used in the telecommunications industry for the transmission of voice and associated telephone signals within the frequency bandwidth of approximately 300 to 3000 Hz.

The interface is provided with loop supervisory signaling. When the interface is associated with FGA, such signaling will be loop start or ground start signaling. When the interface is associated with FGB, FGC or FGD, such signaling, except for two-way calling which is E&M signaling, will be reverse battery signaling.

15.1.3 Interface Group 3

Interface Group 3 provides group level analog transmission at the point of termination at the customer designated premises. The interface is capable of transmitting electrical signals between the frequencies of 60 to 108 kHz, with the capability to channelize up to 12 voice frequency transmission paths. Certain frequencies within the bandwidth of the Interface Group are reserved for Telephone Company use, e.g., pilot and carrier group alarm tones. Before the first point of switching, the Telephone Company will provide multiplex equipment to derive 12 transmission paths of frequency bandwidth of approximately 300 to 3000 Hz.

The interface is provided with individual transmission path SF supervisory signaling.

SECTION NO. 15

15. Interface Groups, Transmission Specifications and Channel Interfaces (Cont'd)

15.1 Local Transport Interface Groups (Cont'd)

15.1.4 Interface Group 4

Interface Group 4 provides supergroup level analog transmission at the point of termination at the customer designated premises. The interface is capable of transmitting electrical signals between the frequencies of 312 to 552 kHz, with the capability to channelize up to 60 voice frequency transmission paths. Certain frequencies within the bandwidth of the Interface Group are reserved for Telephone Company use, e.g., pilot and carrier group alarm tones. Before the first point of switching, the Telephone Company will provide multiplex and channel bank equipment to derive 60 transmission paths of frequency bandwidth of approximately 300 to 3000 Hz.

The interface is provided with individual transmission path SF supervisory signaling.

15.1.5 Interface Group 5

Interface Group 5 provides mastergroup level analog transmission at the point of termination at the customer designated premises. The interface is capable of transmitting electrical signals between the frequencies of 564 to 3084 kHz, with the capability to channelize up to 600 voice frequency transmission paths. Certain frequencies within the bandwidth of the Interface Group are reserved for Telephone Company use, e.g., pilot and carrier group alarm tones. Before the first point of switching, the Telephone Company will provide multiplex and channel bank equipment to derive 600 transmission paths of frequency bandwidth of approximately 300 to 3000 Hz.

The interface is provided with individual transmission path SF supervisory signaling.

15.1.6 Interface Group 6

Interface Group 6 provides DS1 level digital transmission at the point of termination at the customer designated premises. The interface is capable of transmitting electrical signals at a

SECTION NO. 15

15. Interface Groups, Transmission Specifications and Channel Interfaces (Cont'd)

15.1 Local Transport Interface Groups (Cont'd)

15.1.6 Interface Group 6 (Cont'd)

nominal 1.544 Mbps, with the capability to channelize up to 24 voice frequency transmission paths. Before the first point of switching, when analog switching utilizing analog terminations is provided, the Telephone Company will provide multiplex and channel bank equipment to derive 24 transmission paths of a frequency bandwidth of approximately 300 to 3000 Hz. When digital switching or analog switching with digital carrier terminations is provided, the Telephone Company will provide, at the first point of switching, a DS1 signal in D3/D4 format.

The interface is provided with individual transmission path bit stream supervisory signaling.

15.1.7 Interface Group 7

Interface Group 7 provides DS1C level digital transmission at the point of termination at the customer designated premises. The interface is capable of transmitting electrical signals at a nominal 3.152 Mbps, with the capability to channelize up to 48 voice frequency transmission paths. Before the first point of switching, when analog switching utilizing analog terminations is provided, the Telephone Company will provide multiplex and channel bank equipment to derive up to 48 voice frequency transmission paths of a frequency bandwidth of approximately 300 to 3000 Hz. When digital switching or analog switching with digital carrier terminations is provided, the Telephone Company will provide, at the first point of switching, DS1 signals in D3/D4 format.

The interface is provided with individual transmission path bit stream supervisory signaling.

15.1.8 Interface Group 8

Interface Group 8 provides DS2 level digital transmission at the point of termination at the customer designated premises. The interface is capable of transmitting electrical signals at a

SECTION NO. 15

15. Interface Groups, Transmission Specifications and Channel Interfaces (Cont'd)

15.1 Local Transport Interface Groups (Cont'd)

15.1.8 Interface Group 8 (Cont'd)

nominal 6.312 Mbps, with the capability to channelize up to 96 voice frequency transmission paths. Before the first point of switching, when analog switching utilizing analog terminations is provided, the Telephone Company will provide multiplex and channel bank equipment in its office to derive up to 96 transmission paths of a frequency bandwidth of approximately 300 to 3000 Hz. When digital switching, or analog switching with digital carrier terminations is provided, the Telephone Company will provide, at the first point of switching, DS1 signals in D3/D4 format.

The interface is provided with individual transmission path bit stream supervisory signaling.

15.1.9 Interface Group 9

Interface Group 9 provides DS3 level digital transmission at the point of termination at the customer designated premises. The interface is capable of transmitting electrical signals at a nominal 44.736 Mbps, with the capability to channelize up to 672 voice frequency transmission paths. Before the first point of switching, when analog switching utilizing analog terminations is provided, the Telephone Company will provide multiplex and channel bank equipment to derive up to 672 transmission paths of a frequency bandwidth of approximately 300 to 3000 Hz. When digital switching, or analog switching with digital carrier terminations is provided, the Telephone Company will provide, at the first point of switching, DS1 signals in D3/D4 format.

The interface is provided with individual transmission path bit stream supervisory signaling.

SECTION NO. 15

15. Interface Groups, Transmission Specifications and Channel Interfaces (Cont'd)

15.1 Local Transport Interface Groups (Cont'd)

15.1.10 Interface Group 10

Interface Group 10 provides DS4 level digital transmission at the point of termination at the customer designated premises. The interface is capable of transmitting electrical signals at a nominal 274.176 Mbps, with the capability to channelize up to 4032 voice frequency transmission paths. Before the first point of switching, when analog switching utilizing analog terminations is provided, the Telephone Company will provide multiplex and channel bank equipment to derive up to 4032 transmission paths of a frequency bandwidth of approximately 300 to 3000 Hz. When digital switching or analog switching with digital carrier terminations is provided, the Telephone Company will provide, at the first point of switching, DS1 signals in D3/D4 format. The interface is provided with individual transmission path bit stream supervisory signaling.

15.1.11 Available Premises Interface Codes

Following is a matrix showing, for each Interface Group, which premises interface codes are available as a function of the Telephone Company switch supervisory signaling and Feature Group. For explanations of these codes, see the Glossary of Channel Interface Codes in 15.3 following.

SECTION NO. 15

15. Interface Groups, Transmission Specifications and Channel Interfaces (Cont'd)

15.1 Local Transport Interface Groups (Cont'd)

15.1.11 Available Premises Interface Codes (Cont'd)

Feature Group	Interface Group	Telephone Company		Premises					
		Switch	Supervisory Signaling	Interface Code	A	B	C	D	
1		LO		2LS2	X				
		LO		2LS3	X				
		GO		2GS2	X				
		GO		2GS3	X				
		LO, GO,		2DX3	X				
		LO, GO,		4EA3-E	X				
		LO, GO,		4EA3-M	X				
		LO, GO,		6EB3-E	X				
		LO, GO,		6EB3-M	X				
		RV, EA, EB, EC		2DX3		X	X	X	
		RV, EA, EB, EC		4EA3-E		X	X	X	
		RV, EA, EB, EC		4EA3-M		X	X	X	
		RV, EA, EB, EC		6EB3-E		X	X	X	
		RV, EA, EB, EC		6EB3-M		X	X	X	
		EA, EB, EC		6EC3				X	X
		RV		2RV3-0		X	X	X	
		RV		2RV3-T		X	X	X	
		SS7		2NO2				X	X
		2		LO, GO		4SF2	X		
				LO, GO		4SF3	X		
LO				4LS2	X				
LO				4LS3	X				
LO				6LS2	X				
GO				4GS2	X				
GO				4GS3	X				
GO				6GS2	X				
LO, GO				4DX2	X				
LO, GO				4DX3	X				
LO, GO				6EA2-E	X				
LO, GO				6EA2-M	X				
LO, GO				8EB2-E	X				
LO, GO				8EB2-M	X				
LO, GO				6EX2-B	X				

SECTION NO. 15

15. Interface Groups, Transmission Specifications and Channel Interfaces (Cont'd)

15.1 Local Transport Interface Groups (Cont'd)

15.1.11 Available Premises Interface Codes (Cont'd)

Feature Group	Interface Group	Telephone Company		Interface Code	Premises			
		Switch	Supervisory Signaling		A	B	C	D
	2 (Cont'd)		RV, EA, EB, EC	4SF2	X	X	X	
			RV, EA, EB, EC	4SF3	X			
			RV, EA, EB, EC	4DX2	X	X	X	
			RV, EA, EB, EC	4DX3	X			
			RV, EA, EB, EC	6DX2			X	
			RV, EA, EB, EC	6EA2-E	X	X	X	
			RV, EA, EB, EC	6EA2-M	X	X	X	
			RV, EA, EB, EC	8EB2-E	X	X	X	
			RV, EA, EB, EC	8EB2-M	X	X	X	
			EA, EB, EC	8EC2-M			X	X
			RV	4RV2-O		X	X	X
			RV	4RV2-T		X	X	X
			RV	4RV3-O		X	X	
			RV	4RV3-T		X	X	
			SS7	4NO2			X	X
	3		LO, GO	4AH5-B	X			
			RV, EA, EB, EC	4AH5-B		X	X	X
			SS7	4AH5-B			X	X
	4		LO, GO	4AH6-C	X			
			RV, EA, EB, EC	4AH6-C		X	X	X
			SS7	4AH6-C			X	X
	5		LO, GO	4AH6-D	X			
			RV, EA, EB, EC	4AH6-D		X	X	X
			SS7	4AH6-D			X	X
	6		LO, GO	4DS9-15	X			
			LO, GO	4DS9-15L	X			
			RV, EA, EB, EC	4DS9-15		X	X	X
			RV, EA, EB, EC	4DS9-15L		X	X	
			SS7	4DS9-15			X	X
	7		LO, GO	4DS9-31	X			
			RV, EA, EB, EC	4DS9-31		X	X	
X			LO, GO	4DS9-31L	X			
			RV, EA, EB, EC	4DS9-31L		X	X	
X			SS7	4DS9-31				X
X								

SECTION NO. 15

15. Interface Groups, Transmission Specifications and Channel Interfaces (Cont'd)

15.1 Local Transport Interface Groups (Cont'd)

15.1.11 Available Premises Interface Codes (Cont'd)

Feature Group	Interface Group	Telephone Company		Premises				
		Switch	Supervisory Signaling	Interface Code	A	B	C	D
8		LO, GO		4DS0-63	X			
		LO, GO		4DS0-63L	X			
		RV, EA, EB, EC		4DS0-63		X	X	X
		RV, EA, EB, EC		4DS0-63L		X	X	X
		SS7		4DS0-63			X	X
9		LO, GO		4DS6-44	X			
		LO, GO		4DS6-44L	X			
		RV, EA, EB, EC		4DS6-44		X	X	X
		RV, EA, EB, EC		4DS6-44L		X	X	X
		SS7		4DLS6-44			X	X
10		LO, GO		4DS6-27	X			
		LO, GO		4DS6-27L	X			
		RV, EA, EB, EC		4DS6-27		X	X	X
		RV, EA, EB, EC		4DS6-27L		X	X	X
		SS7		4DS6-27			X	X

SECTION NO. 15

15. Interface Groups, Transmission Specifications and Channel Interfaces (Cont'd)

15.1 Local Transport Interface Groups (Cont'd)

15.1.12 Supervisory Signaling

- For Interface Groups 1 and 2

DX Supervisory Signaling,
E&M Type I Supervisory Signaling,
E&M Type II Supervisory Signaling, or
E&M Type III Supervisory Signaling
- For Interface Group 2

SF Supervisory Signaling, or
Tandem Supervisory Signaling
- For Interface Groups 6 through 10

These Interface Groups may, at the option of the customer, be provided with individual transmission path SF supervisory signaling where such signaling is available in Telephone Company central offices. Generally such signaling is available only where the entry switch provides an analog, i.e., non digital, interface to the transport termination. The optional Supervisory Signaling arrangements are not available in combination with the SS7 optional feature as described in Section 6.

(T)

SECTION NO. 15

15. Interface Groups, Transmission Specifications and Channel Interfaces (Cont'd)

15.2 Transmission Specifications Switched Access Service

15.2.1 Standard Transmission Specifications

Following are descriptions of the three Standard Transmission Specifications available with Switched Access Service Feature Groups and the two Standard Transmission Specifications for WATS Access Lines. The specific applications in terms of the Feature Groups and Interface Groups with which the Feature Group Standard Transmission Specifications are provided are set forth in Section 6. (T)

(A) Type A Transmission Specifications

Type A Transmission Specifications is provided with the following parameters:

(1) Loss Deviation

The maximum Loss Deviation of the 1004 Hz loss relative to the Expected Measured Loss (EML) is + 2.0 dB

(2) Attenuation Distortion

The maximum Attenuation Distortion in the 404 to 2804 Hz frequency band relative to the loss at 1004 Hz is -1.0 dB to +3.0 dB.

(3) C-Message Noise

The maximum C-Message Noise for the transmission path at the route miles listed is less than or equal to:

<u>Route Miles</u>	<u>C-Message Noise</u>
less than 50	32 dBmCO
51 to 100	34 dBmCO
101 to 200	37 dBmCO
201 to 400	40 dBmCO
401 to 1000	42 dBmCO

SECTION NO. 15

15. Interface Groups, Transmission Specifications and Channel Interfaces (Cont'd)

15.2 Transmission Specifications Switched Access Service (Cont'd)

15.2.1 Standard Transmission Specifications (Cont'd)

(A) Type A Transmission Specifications (Cont'd)

(4) C-Notch Noise

The maximum C-Notch Noise, utilizing a -16 dBm0 holding tone, is less than or equal to 45 dBnC0.

(5) Echo Control

Echo Control, identified as Equal Level Echo Path Loss, and expressed as Echo Return Loss and Singing Return Loss, is dependent on the routing, i.e., whether the service is routed directly from the customer's point of termination (POT) to the end office or via an access tandem. It is equal to or greater than the following:

	<u>Echo Return Loss</u>	<u>Singing Return Loss</u>
POT to Access Tandem	21 dB	14 dB
POT to End Office		
- Direct	N/A	N/A
- Via Access Tandem	16 dB	11 dB

(6) Standard Return Loss

Standard Return Loss expressed as Echo Return Loss and Singing Return Loss on two-wire ports of a four-wire point of termination shall be equal to or greater than:

<u>Echo Return Loss</u>	<u>Singing Return Loss</u>
5 dB	2.5 dB

(B) Type B Transmission Specifications

Type B Transmission Specifications are provided with the following parameters:

SECTION NO. 15

15. Interface Groups, Transmission Specifications and Channel Interfaces (Cont'd)

15.2 Transmission Specifications Switched Access Service (Cont'd)

15.2.1 Standard Transmission Specifications (Cont'd)

(B) Type B Transmission Specifications (Cont'd)

(1) Loss Deviation

The maximum Loss Deviation of the 1004 Hz loss relative to the Expected Measured Loss (EML) is + 2.5 dB.

(2) Attenuation Distortion

The maximum Attenuation Distortion in the 404 to 2804 Hz frequency band relative to loss at 1004 Hz is -2.0 dB to +4.0 dB.

(3) C-Message Noise

The maximum C-Message Noise for the transmission path at the route miles listed is less than or equal to:

<u>Route Miles</u>	<u>C-Message Noise*</u>	
	<u>Type B1</u>	<u>Type B2</u>
less than 50	32 dBrnCO	35 dBrnCO
51 to 100	33 dBrnCO	37 dBrnCO
101 to 200	35 dBrnCO	40 dBrnCO
201 to 400	37 dBrnCO	43 dBrnCO
401 to 1000	39 dBrnCO	45 dBrnCO

(4) C-Notch Noise

The maximum C-Notch Noise, utilizing a -16 dBmO holding tone is less than or equal to 47 dBrnCO.

* For Feature Groups C and D only Type B2 will be provided. For Feature Groups A and B, Type B1 or B2 will be provided as set forth in Technical Reference PUB 62500.

SECTION NO. 15

15. Interface Groups, Transmission Specifications and Channel Interfaces (Cont'd)

15.2 Transmission Specifications Switched Access Service (Cont'd)

15.2.1 Standard Transmission Specifications (Cont'd)

(B) Type B Transmission Specifications (Cont'd)

(5) Echo Control

Echo Control, identified as Impedance Balance for FGA and FGB and Equal Level Echo Path Loss for FGC and FGD, and expressed as Echo Return Loss (ERL) and Singing Return Loss (SRL), is dependent on the routing, i.e., whether the service is routed directly from the customer's point of termination (POT) to the end office or via an access tandem. The ERL and SRL also differ by Feature Group, type of termination, and type of transmission path. They are greater than or equal to the following:

<u>Loss</u>	<u>Echo Return Loss</u>	<u>Singing Return</u>
POT to Access Tandem		
- Terminated in		
4-Wire trunk	21 dB	14 dB
- Terminated in		
2-Wire trunk	16 dB	11 dB
POT to End Office		
- Direct	16 dB	11 dB
- Via Access Tandem		
For FGB access	8 dB	4 dB
For FGC access		
(Effective		
4-Wire trans-		
mission path		
at end office)	16 dB	11 dB
For FGC access		
(Effective		
2-Wire trans-		
mission path		
at end office)	13 dB	6 dB

SECTION NO. 15

15. Interface Groups, Transmission Specifications and Channel Interfaces (Cont'd)

15.2 Transmission Specifications Switched Access Service (Cont'd)

15.2.1 Standard Transmission Specifications (Cont'd)

(B) Type B Transmission Specifications (Cont'd)

(6) Standard Return Loss

Standard Return Loss, expressed as Echo Return Loss and Singing Return Loss, on two-wire ports of a four-wire point of termination shall be equal to or greater than:

<u>Echo Return Loss</u>	<u>Singing Return Loss</u>
5 dB	2.5 dB

(C) Type C Transmission Specifications

Type C Transmission Specifications are provided with the following parameters:

(1) Loss Deviation

The maximum Loss Deviation of the 1004 Hz loss relative to the Expected Measured Loss (EML) is + 3.0 dB.

(2) Attenuation Distortion

The maximum Attenuation Distortion in the 404 to 2804 Hz frequency band relative to loss at 1004 Hz is -2.0 dB to +5.5 dB.

(3) C-Message Noise

The maximum C-Message Noise for the transmission path at the route miles listed is less than or equal to:

SECTION NO. 15

15. Interface Groups, Transmission Specifications and Channel Interfaces (Cont'd)

15.2 Transmission Specifications Switched Access Service (Cont'd)

15.2.1 Standard Transmission Specifications (Cont'd)

(C) Type C Transmission Specifications (Cont'd)

(3) C-Message Noise (Cont'd)

<u>Route Miles</u>	<u>C-Message Noise*</u>	
	<u>Type C1</u>	<u>Type C2</u>
less than 50	32 dBrnCO	38 dBrnCO
51 to 100	33 dBrnCO	39 dBrnCO
101 to 200	35 dBrnCO	41 dBrnCO
201 to 400	37 dBrnCO	43 dBrnCO
401 to 1000	39 dBrnCO	45 dBrnCO

(4) C-Notch Noise

The maximum C-Notch Noise, utilizing a -16 dBmO holding tone is less than or equal to 47 dBrnCO.

(5) Echo Control

Echo Control, identified as Return Loss and expressed as Echo Return Loss and Singing Return Loss is dependent on the routing, i.e., whether the service is routed directly from the customer's point of termination (POT) to the end office or via an access tandem. It is equal to or greater than the following:

	<u>Echo Return Loss</u>	<u>Singing Return Loss</u>
POT to Access Tandem	13 dB	6 dB
POT to End Office		
- Direct	13 dB	6 dB
- Via Access Tandem (for FGB only)	8 dB	4 dB

* For Feature Groups C and D only Type C2 will be provided. For Feature Groups A and B, Type C1 or C2 will be provided as set forth in Technical Reference PUB 62500.

SECTION NO. 15

15. Interface Groups, Transmission Specifications and Channel Interfaces (Cont'd)

15.2 Transmission Specifications Switched Access Service (Cont'd)

15.2.1 Standard Transmission Specifications (Cont'd)

(D) WATS Access Line Standard Transmission Specifications

(1) Standard Two-Wire Voice Transmission Specifications

(a) Loss Deviation

The maximum Loss Deviation of the 1004 Hz loss relative to the Expected Measured Loss (EML) is + 4.0 dB.

(b) Attenuation Distortion

The maximum Attenuation Distortion in the 404 to 2804 Hz frequency band relative to the loss at 1004 Hz is -3.0 dB to +9.0 dB.

(c) C-Message Noise

The maximum C-Message Noise for the transmission path at the route miles listed is less than:

<u>Route Miles</u>	<u>C-Message Noise</u>
less than 50	35 dBmCO
51 to 100	37 dBmCO
101 to 200	40 dBmCO
201 to 400	43 dBmCO
401 to 1000	45 dBmCO

(d) Echo Control

Return Loss for both Echo Return Loss (ERL) and Singing Return Loss (SRL), is equal to or greater than:

ERL 6.0 dB
SRL 3.0 dB

SECTION NO. 15

15. Interface Groups, Transmission Specifications and Channel Interfaces (Cont'd)

15.2 Transmission Specifications Switched Access Service (Cont'd)

15.2.1 Standard Transmission Specifications (Cont'd)

(D) WATS Access Line Standard Transmission Specifications (Cont'd)

(2) Standard Four-Wire Voice Transmission Specifications

(a) Loss Deviation

The maximum Loss Deviation of the 1004 Hz loss relative to the Expected Measured Loss (EML) is -3.0 dB to +3.0 dB.

(b) Attenuation Distortion

The maximum Attenuation Distortion in the 404 to 2804 Hz frequency band relative to loss at 1004 Hz is -1.0 dB to +4.5 dB.

(c) C-Message Noise

The Maximum C-Message Noise for the transmission path at the route miles listed is less than:

<u>Route Miles</u>	<u>C-Message Noise</u>
less than 50	35 dBmCO
51 to 100	37 dBmCO
101 to 200	40 dBmCO
201 to 400	43 dBmCO
401 to 1000	45 dBmCO

(d) Echo Control

The Equal Level Echo Path Loss for both Echo Return Loss (ERL) and Singing Return Loss (SRL), is equal to or greater than:

ERL 15.0 dB
SRL 9.0 dB

SECTION NO. 15

15. Interface Groups, Transmission Specifications and Channel Interfaces (Cont'd)

15.2 Transmission Specifications Switched Access Service (Cont'd)

15.2.2 Data Transmission Parameters

Two types of Data Transmission Parameters, i.e., Type DA and Type DB, are provided for the Feature Group arrangements. The specific applications in terms of the Feature Groups with which they are provided are set forth in Section 6. In addition, the WATS Access Line is provided with Data Transmission Parameters. Following are descriptions of each:

(T)

(A) Data Transmission Parameters Type DA

(1) Signal to C-Notched Noise Ratio

The Signal to C-Notched Noise Ratio is equal to or greater than 33 dB.

(2) Envelope Delay Distortion

The maximum Envelope Delay Distortion for the frequency bands and route miles specified is:

604 to 2804 Hz

less than 50 route miles	500 microseconds
equal to or greater than 50 route miles	900 microseconds

1004 to 2404 Hz

less than 50 route miles	200 microseconds
equal to or greater than 50 route miles	400 microseconds

(3) Impulse Noise Counts

The Impulse Noise Counts exceeding a 65 dBrnCO threshold in 15 minutes is no more than 15 counts.

SECTION NO. 15

15. Interface Groups, Transmission Specifications and Channel Interfaces (Cont'd)

15.2 Transmission Specifications Switched Access Service (Cont'd)

15.2.2 Data Transmission Parameters (Cont'd)

(A) Data Transmission Parameters Type DA (Cont'd)

(4) Intermodulation Distortion

The Second Order (R2) and Third Order (R3) Intermodulation Distortion products are equal to or greater than:

Second Order (R2) 33 dB

Third Order (R3) 37 dB

(5) Phase Jitter

The Phase Jitter over the 4-300 Hz frequency band is less than or equal to 50 peak-to-peak.

(6) Frequency Shift

The maximum Frequency Shift does not exceed -2 to +2 Hz.

(B) Data Transmission Parameters Type DB

(1) Signal to C-Notched Noise Ratio

The signal to C-Notched Noise Ratio is equal to or greater than 30 dB.

(2) Envelope Delay Distortion

The maximum Envelope Delay Distortion for the frequency bands and route miles specified is:

	<u>604 to 2804 Hz</u>	
less than 50 route miles		800 microseconds
equal to or greater than 50 route miles		1000 microseconds

SECTION NO. 15

15. Interface Groups, Transmission Specifications and Channel Interfaces (Cont'd)

15.2 Transmission Specifications Switched Access Service (Cont'd)

15.2.2 Data Transmission Parameters (Cont'd)

(B) Data Transmission Parameters Type DB (Cont'd)

(2) Envelope Delay Distortion (Cont'd)

The Maximum Envelope Delay Distortion for the frequency bands and route miles specified is: (Cont'd)

	<u>1004 to 2404 Hz</u>	
less than 50 route miles		320 microseconds
equal to or greater than 50 route miles		500 microseconds

(3) Impulse Noise Counts

The Impulse Noise Counts exceeding a 67 dBrnCO threshold in 15 minutes is no more than 15 counts.

(4) Intermodulation Distortion

The Second Order (R2) and Third Order (R3) Intermodulation Distortion products are equal to or greater than:

Second Order (R2)	31 dB
Third Order (R3)	34 dB

(5) Phase Jitter

The Phase Jitter over the 4-300 Hz frequency band is less than or equal to 70 peak-to-peak.

(6) Frequency Shift

The maximum Frequency Shift does not exceed -2 to +2 Hz.

SECTION NO. 15

15. Interface Groups, Transmission Specifications and Channel Interfaces (Cont'd)

15.2 Transmission Specifications Switched Access Service (Cont'd)

15.2.2 Data Transmission Parameters (Cont'd)

(C) WATS Access Line Data Transmission Parameters

(1) Signal to C-Notched Noise Ratio

The maximum Signal-to-C-Notched Noise Ratio is 30 dB.

(2) Envelope Delay Distortion

The maximum Envelope Delay Distortion for the frequency bands specified is:

1000 microseconds 604 to 2804 Hz

500 microseconds 1000 to 2404 Hz

(3) Impulse Noise Counts

The Impulse Noise Counts exceeding a 67 dBmCO threshold in 15 minutes is no more than 15 counts.

(4) Intermodulation Distortion

The Second Order (R2) and Third Order (R3) Intermodulation Distortion products are equal to or greater than:

Second Order (R2) 31 dB

Third Order (R3) 34 dB

(5) Phase Jitter

The Phase Jitter over the 4 to 300 Hz frequency band is less than or equal to 70 peak-to-peak.

(6) Frequency Shift

The maximum Frequency Shift does not exceed -2 to +2 Hz.

SECTION NO. 15

15. Interface Groups, Transmission Specifications and Channel Interfaces (Cont'd)

15.2 Transmission Specifications Switched Access Service (Cont'd)

15.2.3 WATS Access Line

(A) Improved Two-Wire Voice Transmission Specifications

(1) Loss Deviation

The maximum Loss Deviation of the 1004 Hz loss relative to the Expected Measured Loss (EML) is -4.0 dB to +4.0 dB.

(2) Attenuation Distortion

The maximum Attenuation Distortion in the 404 to 280 Hz frequency band relative to loss at 1004 Hz is -2.0 dB to +6.0 dB.

(3) C-Message Noise

The maximum C-Message Noise for the transmission path at the route miles listed is less than:

<u>Route Miles</u>	<u>C-Message Noise</u>
less than 50	35 dBmCO
51 to 100	37 dBmCO
101 to 200	40 dBmCO
201 to 400	43 dBmCO
401 to 1000	45 dBmCO

(4) Return Loss

The Return Loss, expressed as Echo Return Loss (ERL) and Singing Return Loss (SRL), is equal to or greater than:

ERL	13.0 dB
SRL	6.0 dB

SECTION NO. 15

15. Interface Groups, Transmission Specifications and Channel Interfaces (Cont'd)

15.3 Special Access Channel Interface and Network Channel Codes

This section explains the Channel Interface codes and Network Channel codes that the customer must specify when ordering Special Access Service. Included is an example which explains the specific characters of the code, a glossary of Channel Interface codes, impedance levels, Network Channel codes and compatible Channel Interfaces.

Example: If the customer specifies a NT Network Channel Code and a 2DC8-3 Channel Interface at the customer's premises, the following is being requested:

NT = Metallic Channel with a Predefined Technical Specification Package (1)
2 = Number of physical wires at customer premises
DC = Facility interface for direct current or voltage
8 = Variable impedance level
3 = Metallic facilities (DC continuity) for direct current/low frequency control signals or slow speed data (30 baud)

15.3.1 Glossary of Channel Interface Codes and Options

<u>Code</u>	<u>Option</u>	<u>Definition</u>
AB -		accepts 20 Hz ringing signal at customer's point of termination
AC -		accepts 20 Hz ringing signal at customer's end user's point of termination
CT -		Centrex Tie Trunk Termination
DA -		data stream in VF frequency band at customer's end user's point of termination

SECTION NO. 15

15. Interface Groups, Transmission Specifications and Channel Interfaces (Cont'd)

15.3 Special Access Channel Interface and Network Channel Codes (Cont'd)

15.3.1 Glossary of Channel Interface Codes and Options (Cont'd)

<u>Code</u>	<u>Option</u>	<u>Definition</u>
DB -		data stream in VF frequency band at customer's point of termination
	- 10	VF for TG1 and TG2
	- 43	VF for 43 Telegraph Carrier type signals, TG1 and TG2
DC -		direct current or voltage
	- 1	monitoring interface with series RC combination (McCulloh format)
	- 2	Telephone Company energized alarm channel
	- 3	Metallic facilities (DC continuity) for direct current/low frequency control signals or slow speed data (30 baud)
DD - termination		DATAPHONE Select-A-Station (and TABS) interface at customer's point of termination
DE -		DATAPHONE Select-A-Station (and TABS) interface at the customer's end user's point of termination
DS -		digital hierarchy interface
	- 15	1.544 Mbps (DS1) format per PUB 41451 plus D4
	- 15E	8-bit PCM encoded in one 64 kbps of the DS1 signal
	- 15F	8-bit PCM encoded in two 64 kbps of the DS1 signal
	- 15G	8-bit PCM encoded in three 64 kbps of the DS1 signal
	- 15H	14/11-bit PCM encoded in six 64 kbps of the DS1 signal
	- 15J	1.544 Mbps format per PUB 41451
	- 15K	1.544 Mbps format per PUB 41451 plus extended framing format
	- 15L	1.544 Mbps (DS1) with SF signaling
	- 27	274.176 Mbps (DS4)
	- 27L	274.176 Mbps (DS4) with SF signaling
	- 31	3.152 Mbps (DS1C)
	- 31L	3.152 Mbps (DS1C) with SF signaling
	- 44	44.736 Mbps (DS3)
	- 44L	44.736 Mbps (DS3) with SF signaling
	- 63	6.312 Mbps (DS2)
	- 63L	6.312 Mbps (DS2) with SF signaling

Issued: February 15, 2002

Issued By

Laurie A. Maffett

Effective: April 18, 2002 Vice President Regulatory and Government Affairs

Advice No.:

SECTION NO. 15

15. Interface Groups, Transmission Specifications and Channel Interfaces (Cont'd)

15.3 Special Access Channel Interface and Network Channel Codes (Cont'd)

15.3.1 Glossary of Channel Interface Codes and Options (Cont'd)

<u>Code</u>	<u>Option</u>	<u>Definition</u>
DU -		digital access interface
	- 24	2.4 kbps
	- 48	4.8 kbps
	- 56	56.0 kbps
	- 96	9.6 kbps
	- A	1.544 Mbps format per PUB 41451
	- B	1.544 Mbps format per PUB 41451 plus D4
	- C	1.544 Mbps format per PUB 41451 plus extended framing format
DX -		duplex signaling interface at customer's point of termination
DY -		duplex signaling interface at customer's end user's point of termination
EA	- E	Type I E&M Lead Signaling. Customer at POT or customer's end user at POT originates on E Lead.
EA	- M	Type I E&M Lead Signaling. Customer at POT or customer's end user at POT originates on M Lead.
EB	- E	Type II E&M Lead Signaling. Customer at POT or customer's end user at POT originates on E Lead.
EB	- M	Type II E&M Lead Signaling. Customer at POT or customer's end user at POT originates on M Lead.
EC -		Type III E&M signaling at customer POT
EX	- A	tandem channel unit signaling for loop start or ground start and customer supplies open end (dial tone, etc.) functions.
EX	- B	tandem channel unit signaling for loop start or ground start and customer supplies closed end (dial pulsing, etc.) functions.
GO -		ground start loop signaling - open end function by customer or customer's end user
GS -		ground start loop signaling - closed end function by customer or customer's end user
IA -		E.I.A. (25 pin RS-232)
LA -		end user loop start loop signaling - Type A OPS registered port open end
LB -		end user loop start loop signaling - Type B OPS registered port open end

SECTION NO. 15

15. Interface Groups, Transmission Specifications and Channel Interfaces (Cont'd)

15.3 Special Access Channel Interface and Network Channel Codes (Cont'd)

15.3.1 Glossary of Channel Interface Codes and Options (Cont'd)

<u>Code</u>	<u>Option</u>	<u>Definition</u>
LC	-	end user loop start loop signaling - Type C OPS registered port open end
LO	-	loop start loop signaling - open end function by customer or customer's end user
LR	-	20 Hz automatic ringdown interface at customer with Telephone Company provided PLAR
LS	-	loop start loop signaling - closed end function by customer or customer's end user
NO	-	no signaling interface, transmission only
PG	-	program transmission - no dc signaling
	- 1	nominal frequency from 50 to 15000 Hz
	- 3	nominal frequency from 200 to 3500 Hz
	- 5	nominal frequency from 100 to 5000 Hz
	- 8	nominal frequency from 50 to 8000 Hz
PR	-	protective relaying*
RV	- 0	reverse battery signaling, one way operation, originate by customer
	- T	reverse battery signaling, one way operation, terminate function by customer or customer's end user
SF	-	single frequency signaling with VF band at either customer POT or customer's end user POT
TF	-	telephotograph interface
TT	-	telegraph/teletypewriter interface at either customer POT or customer's end user
POT	- 2	20.0 milliamperes
	- 3	3.0 milliamperes
	- 6	62.5 milliamperes
TV	-	television interface
	- 1	combined (diplexed) video and one audio signal
	- 2	combined (diplexed) video and two audio signals
	- 5	video plus one (or two) audio 5 kHz signal(s) or one (or two) two wire
	- 15	video plus one (or two) audio 15 kHz signal(s)

* Available only for the transmission of audio tone protective relaying signals used in the protection of electric power systems during fault conditions.

SECTION NO. 15

15. Interface Groups, Transmission Specifications and Channel Interfaces (Cont'd)

15.3 Special Access Channel Interface and Network Channel Codes (Cont'd)

15.3.2 Impedance

The nominal reference impedance with which the channel will be terminated for the purpose of evaluating transmission performance:

<u>Value (ohms)</u>	<u>Code(s)</u>
110	0
150	1
600	2
900	3+
135	5
75	6
124	7
Variable	8
100	9

- + For those interface codes with a 4-wire transmission path at the customer designated POT, rather than a standard 900 ohm impedance the code (3) denotes a customer provided transmission equipment termination. Such terminations were provided to customers in accordance with the F.C.C. Docket No. 20099 Settlement Agreement.

SECTION NO. 15

15. Interface Groups, Transmission Specifications and Channel Interfaces (Cont'd)

15.3 Special Access Channel Interface and Network Channel Codes (Cont'd)

15.3.3 Digital Hierarchy Channel Interface Codes (4DS)

Customers selecting the multiplexed four-wire DSX-1 or higher facility interface option at the customer designated premises will be requested to provide subsequent system and channel assignment data. The various digital bit rates in the digital hierarchy employ the channel interface code 4DS8, 4DS0 or 4DS6 plus the speed options indicated below:

<u>Interface Code and Speed Option</u>	<u>Nominal Bit Rate (Mbps)</u>	<u>Digital Hierarchy Level</u>
4DS8-15	1.544	DS1
4DS8-31	3.152	DS1C
4DS0-63	6.312	DS2
4DS6-44	44.736	DS3
4DS6-27	274.176	DS4

15.3.4 Service Designator/Network Channel Code Conversion Table

The purpose of this table is to show the relationship between the service designator codes (e.g. VGC, MT2, etc.) and the network channel codes that are used for:

<u>Service Designator Code</u>	<u>Network Channel Code</u>
MTC	MQ
MT1	NT
MT2	NU
MT3	NV
TGC	NQ
TG1	NW
TG2	NY
VGC	LQ
VG1	LB
VG2	LC

SECTION NO. 15

15. Interface Groups, Transmission Specifications and Channel Interfaces (Cont'd)

15.3 Special Access Channel Interface and Network Channel Codes (Cont'd)

15.3.4 Service Designator/Network Channel Code Conversion Table (Cont'd)

<u>Service Designator Code</u>	<u>Network Channel Code</u>
VG3	LD
VG4	LE
VG5	LF
VG6	LG
VG7	LH
VG8	LJ
VG9	LK
VG10	LN
VG11	LP
VG12	LR
APC	PQ
AP1	PE
AP2	PF
AP3	PJ
AP4	PK
TVC	TQ
TV1	TV
TV2	3D
DA1	XA
DA2	XB
DA3	XG
DA4	XH
HC0	HS
HC1	HC
HC1C	HD
HC2	HE
HC3	HF
HC4	HG

SECTION NO. 15

15. Interface Groups, Transmission Specifications and Channel Interfaces (Cont'd)

15.3 Special Access Channel Interface and Network Channel Codes (Cont'd)

15.3.5 Compatible Channel Interfaces

The following tables show the channel interface codes (CIs) which are compatible:

(A) Metallic

Compatible CIs

2DC8-1	2DC8-2
2DC8-3	2DC8-3
4DS8-*	2DC8-1
4DS8-*	2DC8-2

(B) Telegraph Grade

Compatible CIs

Compatible CIs

2DB2-10	10IA8	4DB2-10	10IA8
	2TT2-2		2TT2-2
	4TT2-2		4TT2-2
2DB2-43+	10IA8	4DB2-43+	10IA8
	2TT2-2		2TT2-6
	2TT2-6		4TT2-2
	4TT2-2		
		4DS8-*	10IA8
2TT2-2	2TT2-2		2TT2-2
			2TT2-6
2TT2-3	2TT2-2		4TT2-2
	4TT2-2		4TT2-6
2TT2-6	2TT2-6	4TT2-2	4TT2-2
	4TT2-6		
		4TT2-6	2TT2-6

* See 15.3.3 preceding for explanation.

* Supplemental Channel Assignment information required.

SECTION NO. 15

15. Interface Groups, Transmission Specifications and Channel Interfaces (Cont'd)

15.3 Special Access Channel Interface and Network Channel Codes (Cont'd)

15.3.5 Compatible Channel Interfaces (Cont'd)

(C) Voice Grade

<u>Compatible CIs</u>		<u>Compatible CIs</u>		<u>Compatible CIs</u>	
2AB2	2AC2	2DB2	2DA2	2LR2	2LR2
2AB3	2AC2	2DB3	2DA2	2LR3	2LR2
2CT3	2DY2	2DX3	2LA2	2LS	2GS
	4DS8*		2LB2		2LS
	4DX2		2LC2		4GS
	4DX3		2LO3		4LS
	4DY2		2LS2		
	4EA2-E		2LS3	2LS2	2LA2
	4EA2-M				2LB2
	4SF2	2GO2	2GS2		2LC2
	4SF3		2GS3		
	6DX2			2LS3	2LA2
	6DY2	2GO3	2GS2		2LB2
	6DY3		2GS3		2LC2
	6EA2-E				
	6EA2-M	2GS	2GS	2NO2	2DA2
	6EB2-E		2LS		2NO2
	6EB2-M		4GS		
	6EB3-E		4LS	2NO3	2NO2
	8EB2-E				2PR2
	8EB2-M	2LO2	2LS2		
	8EC2		2LS3	2TF3	2TF2
	9DY2				
	9DY3	2LO3	2LS2		
	9EA2		2LS3		
	9EA3				

* See 15.3.3 preceding for explanation.

SECTION NO. 15

15. Interface Groups, Transmission Specifications and Channel Interfaces (Cont'd)

15.3 Special Access Channel Interface and Network Channel Codes (Cont'd)

15.3.5 Compatible Channel Interfaces (Cont'd)

(C) Voice Grade (Cont'd)

Compatible CIs

4AB2 2AC2
4AB2
4AC2
4SF2

4AB3 2AC2
4AC2
4SF2

4AC2 2AC2
4AC2

SECTION NO. 15

15. Interface Groups, Transmission Specifications and Channel Interfaces (Cont'd)

15.3 Special Access Channel Interface and Network Channel Codes (Cont'd)

15.3.5 Compatible Channel Interfaces (Cont'd)

(C) Voice Grade (Cont'd)

<u>Compatible CIs</u>		<u>Compatible CIs</u>		<u>Compatible CIs</u>	
		4DS8-*	2AC2	4DS8-*	4DG2
			2DA2		4LR2
			2DY2		4LS2
			2GO2		4NO2
4DA2	4DA2		2GO3		4PR2
			2GS2		4RV2-T
4DB2	2DA2		2GS3		4SF2
	2NO2		2LA2		4SF3
	2PR2		2LB2		4TF2
	4DA2		2LC2		6DA2
	4DB2		2LO2		6DY2
	4NO2		2LO3		6DY3
	4PR2		2LR2		6EA2-E
	6DA2		2LS2		6EA2-M
			2LS3		6EB2-E
4DD3	2DE2		2NO2		6EB2-M
	4DE2		2PR2		6GS2
			2RV2-T		6LS2
			2TF2		8EB2-E
			4AC2		8EB2-M
			4DA2		9DY2
			4DE2		9DY3
				4DX2	9EA2
					9EA3
			4DX3		
				4DY2	
				4EA2-E	
			4EA2-M		

* See 15.3.3 preceding for explanation.

SECTION NO. 15

15. Interface Groups, Transmission Specifications and Channel Interfaces (Cont'd)

15.3 Special Access Channel Interface and Network Channel Codes (Cont'd)

15.3.5 Compatible Channel Interfaces (Cont'd)

(C) Voice Grade (Cont'd)

<u>Compatible CIs</u>		<u>Compatible CIs</u>		<u>Compatible CIs</u>	
4DX2	2DY2	4DX2	8EB2-E	4DX3	6DY2
	2LA2		8EB2-M		6DY3
	2LB2		9DY2		6EA2-E
	2LC2		9DY3		6EA2-M
	2LO3		9EA2		6EB2-E
	2LS2		9EA3		6EB2-M
	2LS3				6LS2
2RV2-T	4DX3	2DY2			8EB2-E
4DX2		2LA2			8EB2-M
4DY2		2LB2			9DY2
4EA2-E		2LC2			9DY3
4EA2-M		2LO3			9EA2
4LS2		2LS2			9EA3
4RV2-T		2LS3			
4SF2		2RV2-T	4DY2	2DY2	
4SF3		4DX2		4DY2	
6DY2		4DX3			
6DY3		4DY2			
6EA2-E		4EA2-E			
6EA2-M		4EA2-M			
6EB2-E		4LS2			
6EB2-M		4RV2-T			
6LS2		4SF2			
		4SF3			

SECTION NO. 15

15. Interface Groups, Transmission Specifications and Channel Interfaces (Cont'd)

15.3 Special Access Channel Interface and Network Channel Codes (Cont'd)

15.3.5 Compatible Channel Interfaces (Cont'd)

(C) Voice Grade (Cont'd)

<u>Compatible CIs</u>		<u>Compatible CIs</u>		<u>Compatible CIs</u>	
4EA2-E	2DY2	4EA3-E	2DY2	4GO2	2GO2
	4DY2		4DY2		2GO3
	4EA2-E		4EA2-E		2GS2
	4EA2-M		4EA2-M		2GS3
	4SF2		4SF2		4GS2
	6DY2		6DY2		4SF2
	6DY3		6DY3		6GS2
	6EB2-E		6EA2-E		
	6EB2-M		6EA2-M	4GO3	2GO2
	8EB2-E		6EB2-E		2GS2
	8EB2-M		6EB2-M		2GS3
	9DY2		8EB2-E		4GS2
	9DY3		8EB2-M		4SF2
				9DY2	6GS2
4EA2-M	2DY2		9DY3		
	4DY2		9EA2		
	4EA2-M		9EA3	4GS	2GS
	4SF2				2LS
	6DY2				4GS
	6DY3				4LS
	6EB2-E				
	6EB2-M				
	8EB2-E				
	8EB2-M				
	9DY2				
	9DY3				

SECTION NO. 15

15. Interface Groups, Transmission Specifications and Channel Interfaces (Cont'd)

15.3 Special Access Channel Interface and Network Channel Codes (Cont'd)

15.3.5 Compatible Channel Interfaces (Cont'd)

(C) Voice Grade (Cont'd)

<u>Compatible CIs</u>		<u>Compatible CIs</u>		<u>Compatible CIs</u>	
4LO2	2LS2	4LS3	2LA2	4SF2	2LO3
	2LS3		2LB2		2LR2
	4LS2		2LC2		2LS2
	4SF2		2LO2		2LS3
	6LS2		2LO3		2RV2-T
	4SF2		4AC2		
4LO3	2LS2				4DY2
	2LS3	4NO2	2DA2		4LS2
	4LS2		2DE2		4RV2-T
	4SF2		2NO2		4SF2
	6LS2		4DA2		6DY2
	4DE2		6DY3		
4LR2	2LR2		4NO2		6GS2
	4LR2		6DA2		9DY2
	4SF2				9DY3
	4RV2-0		2RV2-T		
4LR3	2LR2		4RV2-T	4SF3	2DY2
	4LR2		4SF2		2GO3
	4SF2				2GS2
					2GS3
4LS	2GS	4SF2	2AC2		2LA2
	2LS		2DY2		2LB2
	4GS		2GS2		2LC2
	4LS		2GS3		2LO3
			2LA2		2LR2
4LS2	2LA2		2LB2		
	2LB2		2LC2		
	2LC2				
	2LO2				
	2LO3				

SECTION NO. 15

15. Interface Groups, Transmission Specifications and Channel Interfaces (Cont'd)

15.3 Special Access Channel Interface and Network Channel Codes (Cont'd)

15.3.5 Compatible Channel Interfaces (Cont'd)

(C) Voice Grade (Cont'd)

<u>Compatible CIs</u>		<u>Compatible CIs</u>		<u>Compatible CIs</u>	
4SF3	2LS2	6DA	4DAZ	6DV3	2DY2
	2LS3		6DA2		4DY2
	2RV2-T				6DY2
	4DY2	6DX2	2DY2		6DY3
	4EA2-E		4DY2		
	4EA2-M		4EA2-E	6EA2-E	2AC2
	4GS2				
	4LR2		4EA2-M		2DY2
	4LS2		4SF2		2LA2
	4RV2-T		6DY2		2LB2
	4SF2		6DY3		2LC2
	4SF3		6EA2-E		2LO3
	6DY2		6EA2-M		2LS2
	6DY3		6EB2-E		2LS3
	6EB2-E		6EB2-M		2RV2-T
	6EB2-M		8EB2-E		4AC2
	6GS2		8EB2-M		4DY2
	6LS2		9DY2		4EA2-E
	9DY2		9DY3		4EA2-M
	9DY3		9EA2		4LS2
	9EA2		9EA3		4RV2-T
	9EA3				4SF2
		6DY2	2DY2		4SF3
4TF2	2TF2		4DY2		6DY2
	4TF2		6DY2		6DY3
					6EA2-E
					6EA2-M

SECTION NO. 15

15. Interface Groups, Transmission Specifications and Channel Interfaces (Cont'd)

15.3 Special Access Channel Interface and Network Channel Codes (Cont'd)

15.3.5 Compatible Channel Interfaces (Cont'd)

(C) Voice Grade (Cont'd)

<u>Compatible CIs</u>		<u>Compatible CIs</u>		<u>Compatible CIs</u>	
6EA2-E	6EB2-E	6EA2-M	6DY2	6EB3-E	2DY2
	6EB2-M		6DY3		4DY2
	6LS2		6EA2-M		4EA2-E
	8EB2-E		6EB2-E		4EA2-M
	8EB2-M		6EB2-M		4SF2
	9DY2		6LS2		6DY2
	9DY3		8EB2-E		6DY3
			8EB2-M		6EA2-E
6EA2-M	2AC2		9DY2		6EA2-M
	2DY2		9DY3		8EB2-E
	2LA2				8EB2-M
	2LB2	6EB2-E	2DY2		9DY2
	2LC2		4DY2		9DY3
	2LO3		4SF2		9EA2
	2LS2		6DY2		9EA3
	2LS3		6DY3		
	2RV2-T		6EB2-E	6EX2-A	2GS2
	4AC2		6EB2-M		2GS3
	4DY2		9DY2		2LS2
	4EA2-E		9DY3		2LS3
	4EA2-M				4GS2
	4LS2		6EB2-M2DY2		4LS2
	4RV2-T		4DY2		4SF2
	4SF2		4SF2		6GS2
	4SF3		6DY2		6LS2
			6DY3		
			6EB2-M		
			9DY2		
			9DY3		

SECTION NO. 15

15. Interface Groups, Transmission Specifications and Channel Interfaces (Cont'd)

15.3 Special Access Channel Interface and Network Channel Codes (Cont'd)

15.3.5 Compatible Channel Interfaces (Cont'd)

(C) Voice Grade (Cont'd)

<u>Compatible CIs</u>	<u>Compatible CIs</u>	<u>Compatible CIs</u>
6EX2-B 2GO3	8EB2-E 2AC2	8EB2-M 2AC2
2LA2	2DY2	2DY2
2LB2	2LA2	2LA2
2LC2	2LB2	2LB2
2LO2	2LC2	2LC2
2LO3	2LO3	2LO3
2LR2	2LS2	2LS2
4LR2	2LS3	2LS3
4SF2	2RV2-T	2RV2-T
4AC2	4AC2	
6GO2 2GO2	4DY2	4DY2
2GS2	4LS2	4LS2
2GS3	4RV2-T	4RV2-T
4GS2	4SF2	4SF2
4SF2	4SF3	4SF3
6GS2	6DY2	6DY2
6DY3	6DY3	
6LO2 2LS2	6EB2-E	6EB2-E
2LS3	6EB2-M	6EB2-M
4LS2	6LS2	6LS2
4SF2	8EB2-E	8EB2-M
6LS2	8EB2-M	9DY2
9DY2	9DY3	
6LS2 2LA2	9DY3	
2LB2		
2LC2		
2LO2		
2LO3		
4SF2		

SECTION NO. 15

15. Interface Groups, Transmission Specifications and Channel Interfaces (Cont'd)

15.3 Special Access Channel Interface and Network Channel Codes (Cont'd)

15.3.5 Compatible Channel Interfaces (Cont'd)

(C) Voice Grade (Cont'd)

<u>Compatible CIs</u>		<u>Compatible CIs</u>		<u>Compatible CIs</u>	
8EC2	2DY2	9DY2	2DY2	9EA3	2DY2
	4DY2		4DY2		4DY2
	4EA2-E		6DY2		4EA2-E
	4EA2-M		6DY3		4EA2-M
	4SF2		9DY2		6DY2
	6DY2				6DY3
	6DY3	9DY3	2DY2		6EA2-E
	6EA2-E		4DY2		6EA2-M
	6EA2-M		6DY2		6EB2-E
	6EB2-E		6DY3		6EB2-M
	6EB2-M		9DY2		8EB2-E
	8EB2-E		9DY3		8EB2-M
	8EB2-M				9DY2
	9DY2	9EA2	2DY2		9DY3
	9DY3		4DY2		9EA3
	9EA2		4EA2-E		
	9EA3		4EA2-M		
					6DY2
					6DY3
					6EA2-E
					6EA2-M
					6EB2-E
					6EB2-M
					8EB2-E
					8EB2-M
					9DY2
					9DY3
					9EA2
					9EA3

SECTION NO. 15

15. Interface Groups, Transmission Specifications and Channel Interfaces (Cont'd)

15.3 Special Access Channel Interface and Network Channel Codes (Cont'd)

15.3.5 Compatible Channel Interfaces (Cont'd)

(D) Program Audio

<u>Compatible CIs</u>		<u>Compatible CIs</u>	
2PG2-1	2PG1-1 2PG2-1	4DS8-15E	2PG1-3 2PG2-3
2PG2-3	2PG1-3 2PG2-3	4DS8-15F	2PG1-5 2PG2-5
2PG2-5	2PG1-5 2PG2-5	4DS8-15G	2PG1-8 2PG2-8
2PG2-8	2PG1-8 2PG2-8	4DA8-15H	2PG1-1 2PG2-1

SECTION NO. 15

15. Interface Groups, Transmission Specifications and Channel Interfaces (Cont'd)

15.3 Special Access Channel Interface and Network Channel Codes (Cont'd)

15.3.5 Compatible Channel Interfaces (Cont'd)

(E) Video

	<u>Compatible CIs</u>		<u>Compatible CIs</u>	
2TV6-1	4TV6-15	4TV7-15	4TV7-5	4TV6-5 4TV7-5
2TV6-2	6TV6-15	6TV7-15	4TV7-15	4TV6-15 4TV7-15
2TV7-1	4TV6-15	4TV7-15	6TV6-5	6TV6-5 6TV7-5
2TV7-2	6TV6-15	6TV7-15	6TV6-15	6TV6-15 6TV7-15
4TV6-5	4TV6-5	4TV7-5	6TV7-5	6TV6-5 6TV7-5
4TV6-15	4TV6-15	4TV7-15	6TV7-15	6TV6-15 6TV7-15

(F)

(G)

SECTION NO. 15

15. Interface Groups, Transmission Specifications and Channel Interfaces (Cont'd)

15.3 Special Access Channel Interface and Network Channel Codes (Cont'd)

15.3.5 Compatible Channel Interfaces (Cont'd)

(H) Digital Data

<u>Compatible CIs</u>		<u>Compatible CIs</u>		<u>Compatible CIs</u>	
4DS8-15	4DS8-15+ 4DU5-24	4DU5-24	4DU5-24	6DU5-24	6DU5-24
	4DU5-48	4DU5-48	4DU5-48	6DU5-48	6DU5-48
	4DU5-56				
	4DU5-96	4DU5-96	4DU5-96	6DU5-56	6DU5-56
	6DU5-24				
	6DU5-48	4DU8-56	4DU5-56	6DU5-96	6DU5-96
	6DU5-96				

+ Available only as a cross connect of two digital channels at appropriate digital speeds at a Telephone Company hub.

SECTION NO. 15

15. Interface Groups, Transmission Specifications and Channel Interfaces (Cont'd)

15.3 Special Access Channel Interface and Network Channel Codes (Cont'd)

15.3.5 Compatible Channel Interfaces (Cont'd)

(l) High Capacity

<u>Compatible CIs</u>		<u>Compatible CIs</u>	
4DSO-63	4DSO-63 4DU8-A,B or C 6DU8-A,B or C	4DS8-15J	4DU8-A 6DU8-A
4DS6-27	4DS6-27 4DU8-A,B or C 6DU8-A,B or C	4DS8-15K	4DU8-B 4DU8-C 6DU8-B 6DU8-C
4DS6-44	4DS6-44 4DU8-A,B or C 6DU8-A,B or C	4DS8-31	4DS8-31 4DU8-A,B or C 6DU8-A,B or C
4DS8-15	4DS8-15+ 4DU8-B 6DU8-8	4DU8-A,B or C	4DU8-A,B or C

+ Available only as a cross connect of two individual channels of 1.544 Mbps facilities at a Telephone Company hub.

SECTION NO. 16

16. Primary Exchange Carrier and Secondary Exchange Carrier Billing Arrangements

16.1 General

This section sets forth information concerning the provision of Access Services by more than one exchange telephone company when providing Feature Group A in an Extended Area Service environment or Feature Group B in an Access Tandem environment, and such companies do not provide service under the same access service tariff. It is an adjunct to other sections of this tariff such as Ordering (Section 5) and Switched Access Service (Section 6).

16.2 Billing of Switched Access Service Feature Group A in Extended Area Service Environments

(A) Where the customer is provided Switched Access Service Feature Group A, in an Extended Area Service environment, the Telephone Company may apply additional Switched Access Service rates. The application of such additional charges depends upon whether or not there exists a revenue sharing arrangement between the Primary Exchange Carrier (PEC) and the Secondary Exchange Carrier (SEC) as set forth in 2.4.8 (B) preceding. Listed below, by state, is information concerning which SECs bill the additional Switched Access Service charges and which do not. The extended Area Services areas are as set forth in the general and/or local exchange service tariffs of the Telephone Company.

(B) State - Nevada

PEC - Nevada Bell

SECs Applying Add'l Chgs. - SEC's Not Applying Add'l Chgs.

Citizens Telecommunications Company of Nevada

Elko Division

Tonopah Division

Issued: February 15, 2002

Issued By

Laurie A. Maffett

Effective: April 18, 2002

Vice President Regulatory and Government Affairs

Advice No.:

SECTION NO. 16

16. Primary Exchange Carrier and Secondary Exchange Carrier Billing Arrangements

16.3 Billing of Switched Access Service Feature Group B in Access Tandem Environments

(A) Where the customer is provided Switched Access Service Feature Group B in an Access Tandem environment, the Telephone company may apply additional Switched Access Service rates. The application of such additional charges depends upon whether or not there exists a revenue sharing arrangement between the Primary Exchange Carrier and the Secondary Exchange Carrier as set forth in 2.4.8(B) preceding. Listed below, by state, is information concerning which SECs bill the additional Switched Access Service charges and which do not. The Feature Group B Access Tandem serving areas are as set forth in the exchange routing guide of the Telephone Company.

(B) State - Nevada:

PEC - Nevada Bell

SECs Applying Add'l. Chgs. - SECs Not Applying Add'l. Chgs.
Citizens Telecommunications Company of Nevada
Elko Division
Tonopah Division

Issued: February 15, 2002

Issued By
Laurie A. Maffett

Effective: April 18, 2002 Vice President Regulatory and Government Affairs
Advice No.:

SECTION NO. 17

RESERVED FOR FUTURE USE

Issued: February 15, 2002

Issued By

Laurie A. Maffett

Effective: April 18, 2002

Vice President Regulatory and Government Affairs

Advice No.:

SECTION NO. 18

18. Reserved For Future Use

(T)

(D)

(D)

SECTION NO. 19

19. Cellular Mobile Telephone Interconnection

19.1. General

- 19.1.1 This tariff applies to all Cellular Mobile Carriers (CMCs) for the provision of Type 1, Type 2A, and Type 2B arrangements. The design, installation, operations, and maintenance of all circuits, equipment, and other facilities of CMC and the Telephone Company which are used in handling interchanged traffic will be made in accordance with the following technical specifications, including but not limited to: Technical Reference TR-NPL-000145, Technical Reference TR-EOP-000352, Technical Reference TR-NPL-000334, and Transport Systems Generic Requirement GR-GSY-000499, as from time to time may be amended.
- 19.1.2 This tariff provides, subject to technical limitations and availability of facilities, connection with the Telephone Company's network for originating calls from a landline customer to a CMC and for terminating calls from a CMC to a landline customer.
- 19.1.3 The regulations, rates and charges contained herein are in addition to the applicable regulations, rates and charges specified in other tariffs of the Telephone Company which are referenced herein.

19.2. Definitions

The following definitions are in addition to those in the Definitions Section of the General Exchange Tariff.

Ancillary Service - Directory Assistance 411, 611, 911, Operator Services, 700, 800, and 900 NXX, and 976 services.

Billed Number Screening - A service offering which provides for the automatic blocking of third number billing, collect billing, or both.

Cell Site - The location of fixed radio transmitting and receiving facilities associated with a cellular system through which radio links are established between the cellular system and mobile units.

Cellular Geographic Service Area (CGSA) - The geographic area served by the cellular system within which a CMC is authorized to provide service.

Cellular Mobile Carrier (CMC) - A common carrier provider of domestic public cellular telecommunications service, as defined in Part 22, Subpart K, of the FCC Rules and Regulations.

SECTION NO. 19

19. Cellular Mobile Telephone Interconnection (Cont'd)

19.2. Definitions (Cont'd)

Cellular Mobile Carrier's Service - Dedicated circuits between a cellular carrier's point of termination and the Telephone Company's point of switching for the interexchange of traffic with the network. Such circuits may be one-way in directionality. These circuits or groups of these circuits together with switching are referred to in this tariff as "Service".

Company - Citizens Telecommunications Company of Nevada

Demarcation Point - Denotes the point of interconnection between the Telephone Company's facilities and the wiring at the subscriber's premises. The demarcation point (referred to as network interface) shall consist of wire or a jack conforming to Subpart F of Part 68 of the Federal Communications Commission's Rules and Regulations.

End Office - An end office is a local Telephone Company central office where the exchange service customer's station loops are terminated to connect to each other and to the network.

End Office Rate Center - An end office selected by the CMC as the end office for rating (measuring purposes) for Type 2A interconnection.

Local Terminating Usage - For the purpose of this tariff, the terminating traffic to which local terminating usage rates, as described in Paragraph 7 of this Section, apply only to that cellular carrier's terminating traffic delivered to the Telephone Company for termination at a point included as part of the local calling scope of the end office or tandem office where the cellular carrier's interconnection circuits terminate. In the case of a tandem Type-2A interconnection, the local calling scope is determined by the end office selected by the carrier. The end office selected must be a subtenant office of the tandem and within the Cellular Geographic Service Area of the carrier.

Mobile Telephone Switching Office (MTSO) - A CMC's switching equipment or terminal used to provide the CMC's switching services, or any other point of termination designated by the CMC.

NXX Code - A block of 10,000 consecutive telephone numbers having the same 3-digit prefix.

Originating Traffic - Traffic delivered to a CMC for termination on the CMC's system within the Cellular Geographic Service Area.

Point of Interconnection - The end office (Type 1 or Type 2B) or the tandem office (Type 2A) to which the carrier chooses to connect for the purpose of terminating traffic in the Citizens Network. For example, where terminating traffic is switched to other end offices in the LATA, interexchange carriers and operator or auxiliary services (e.g., 411, 911, and 555-1212).

SECTION NO. 19

19. Cellular Mobile Telephone Interconnection (Cont'd)

19.2. Definitions (Cont'd)

Point of Termination - The point of demarcation on a carrier's premises where the telephone company's responsibility for service ends.

Radio Transmitter Links - Dedicated voice or data circuits provided by the Telephone Company between an CMC MTSO and tower/cell site locations or between tower/cell site locations.

Service Group - A quantity of Cellular Radio Carrier Interconnection service circuits of exactly the same configuration combined into a single service group for traffic handling.

Tandem Office - A Telephone Company switching system that provides a concentration and distribution function for originating or terminating traffic between Telephone Company end offices or the network.

Telephone Company - Citizens Telecommunications Company of Nevada

Terminating Traffic - For the purposes of this tariff, that traffic which is delivered by a CMC to the Telephone Company for termination at a point on the intraLATA wireline switching network.

Terminating Usage - For the purposes of this tariff, the usage to which terminating usage charges described in this tariff apply is only that CMC originated traffic interchanged with the Telephone Company for termination at a point on the intraLATA wireline exchange network.

Wire Center - A wire center is a building in which one or more end offices of the company, used for the provision of its local exchange services, are located.

SECTION NO. 19

19. Cellular Mobile Telephone Interconnections (Cont'd)

19.3. General Regulations

19.3.1 Obligations of the CMC

- A. The CMC is solely responsible for payment of all charges for facilities and services furnished the CMC, including charges for service originated from, or charges accepted at such facilities, (e.g., collect calls and third number charges).
- B. Where it is necessary for the Telephone Company to place equipment at the CMC's premises, the CMC shall make available access, floor space, and power for the service without cost to the Telephone Company.
- C. The rates and rate structure established by this Tariff shall not apply to the CMC's provision of toll calling from a landline telephone to another landline telephone, except for, but not limited to, the provision of optional carrier features such as custom calling and voice storage.

19.3.2 Minutes of Use (Local Calling Scope - Only)

Originating and terminating calls will be measured (i.e., recorded) or assumed by the Company to determine the basis for computing minutes of use. In the event the Company lost or incurred recording problems, the Company will estimate the volume of lost customer minutes of use based on daily averages of previously known values. Where originating or terminating measurement capabilities do not exist, the number of billable minutes will be assumed as follows:

	Monthly Billable
<u>Service Ordered</u>	<u>Assumed MOU (Note 1)</u>
Terminating Only	3,675
Two-Way	3,675

(Note 1) MOU are per equivalent voice grade channels ordered by the customer (i.e. a DS1 circuit has a maximum 24 voice grade channels). The quantity of channels to use in the computation for a DS1 will depend on the quantity requested to be activated by the customer. Requests to activate additional channels previously vacant will require an Access Order Charge per Section 5 of this tariff.

SECTION NO. 19

19. Cellular Mobile Telephone Interconnections (Cont'd)

19.3. General Regulations (Cont'd)

19.3.3 Payments, Deposits, and Termination of Service

The Rules and Regulations of the Local Exchange P.S.C.N. Tariff No. 1 shall apply.

19.3.4 Directory Listings

- A. Directory Listings are not included in the rates for services in this tariff.
- B. Regular extra listings and special types of extra listings will be furnished under the Directory Listings Section of the applicable Local Exchange P.S.C.N. Tariff No. 1 for use of the CMC's patrons. The CMC must arrange for such listings. Payment for such listings will be the responsibility of the CMC and not the CMC's service users.

19.3.5 Directory Assistance

Directory Assistance (DA) Service will be provided at current cost.

19.3.6 Operator Service

Local operator service (0- and 0+) is available under the Local Exchange P.S.C.N. Tariff No. 1.

19.3.7 Service Provisioning

CMC Interconnection Service arrangements are intended only for interchanging between cellular telephone and landline telephones. These interconnection arrangements may not be used for the interchange of traffic between landline telephones and the facilities of an interexchange carrier connected to the terminal of a CMC.

19.3.8 Special Service Arrangements

Modifications to services furnished by the Telephone Company to CMCs under this tariff may be available through Special Service arrangements in accordance with the Local Exchange P.S.C.N. Tariff No. 1.

SECTION NO. 19

19. Cellular Mobile Telephone Interconnection (Cont'd)

19.3. General Regulations (Cont'd)

19.3.9 Special Construction

If the CMC's request for interconnection requires construction of special facilities as described in Section 21 of the Citizens Telecommunications Company of Nevada, Tonopah Division P.S.C.N. Tariff No. 1, and Schedule A-11 of the Citizens Telecommunications Company of Nevada, Elko Division P.S.C.N. Tariff No. 1, the CMC will be assessed special construction charges as described therein, in addition to all other applicable charges.

19.3.10 Telephone Number

Telephone numbers may be provided for use in connection with this service subject to the following limitations:

- A. With Type 1 Service, telephone numbers in designated NXXs are leased by the company to the CMC in groups of 100 numbers, for assignment by the CMC to its customers. With Type 2A and Type 2B Services, NXX codes are dedicated entirely to the CMC for assignment of telephone numbers to its customers. Within a LATA, CMC can request at least one Dedicated NXX Code for CMC's use. The Telephone Company shall use its best efforts to complete the assignment of Dedicated NXX Codes for CMC's use as promptly as possible. Each Dedicated NXX Code must be associated with an NPA code and specific Citizens central office. For Type 1 Interconnection, the NXX Code shall be located at a Citizens End Office. For Type 2A Interconnection, the NXX Code shall be resident in the CMC's MTSO.

(Assignment of NXX codes is subject to the code conservation measures outlined in Bellcore TR-NPL-000275),

- B. Telephone numbers are normally provided on a consecutive number basis. Numbers may be provided on a nonconsecutive basis, if acceptable to the cellular carrier and the Telephone Company, and if within the normal limitations of the serving office. The CMC shall acquire and retain the same rights to telephone numbers as an independent telephone company.
- C. The CMC's switching equipment must be arranged to provide for intercepting of unused numbers assigned to the cellular carrier.
- D. Shared or dedicated NXX Codes are available as in Paragraph 19.7.3.
- E. Line side interconnection includes the provision of a single number for each line side termination.

SECTION NO. 19

19. Cellular Mobile Telephone Interconnection (Cont'd)

19.3. General Regulations (Cont'd)

19.3.11 Service Charges

Ordering charges, change charges, and miscellaneous charges as specified in Section 5 of this tariff apply in connection with the provisions of service under this tariff.

19.3.12 Loss

The amount of loss in the facility shall be a product of negotiation between the Telephone Company and the CMC. If the agreed upon loss is less than the structural loss of the facility provided to the CMC, a special service arrangement may be required.

19.3.13 Right of Audit

When the Telephone Company is reliant on data supplied by the CMC to prepare and render a correct bill to the CMC, a right of audit by the Telephone Company is reserved.

19.3.14 Testing

Company and CMC each may make reasonable tests and inspections of its respective facilities and may, upon notice to and coordination with the other, temporarily interrupt the facilities being tested or inspected.

19.3.15 Confidentiality

- A. In light of the confidential nature of the non-public, proprietary information which may be developed and owned by the Telephone Company and the CMC, or which may be used by the Telephone Company and the CMC in the performance of their customer obligations, the Telephone Company and the CMC hereto will (and will not cause or permit any of its officers, employees or agents or its affiliates or their officers, employees or agents to do otherwise) receive and treat all confidential, proprietary, non-public information so developed, including without limitation, the Systems, engineering and other technical data, business records, correspondence, cost data, customer lists, estimates, market surveys, traffic data, trade secrets, and other trade information (the "Information") as confidential, and keep, file and store such information together with any notes or other material incorporating or relating to the Information, in a manner consistent with its confidential nature.

SECTION NO. 19

19. Cellular Mobile Telephone Interconnection (Cont'd)

19.4. Description of Service

- 19.4.1 CMC Interconnection service circuits and switching are trunk side switching using end office (Type 1 or Type 2B) or tandem (Type 2A) arrangements. Wink start, answer and disconnect supervisory signaling are provided from electronic offices. Delay dial start-pulsing signaling for one-way originating only type services may be provided from equipped electromechanical offices. Line side interconnection uses line side terminating equipment in the end office. Line side signaling may be ground start with on-hook indication to the carrier at the distant end, or loop supervision.
- 19.4.2 Service may be arranged for two-way or one-way traffic either in the originating or terminating direction. With Type 2A connections, terminating traffic may be limited to direct dialed terminating calls. Where Type 2A connections are thus limited, terminating only service with Type 1 connections may access the services specified in 19.4.3. Direct dialed calls to community information services of an information provider, public response calling networks and calls to 911 may not be completed through tandem interconnections in some cases. Connections used for these types of calls are only subject to the charges under 19.3.5. With Type 2B connections, calls may terminate only to directory numbers served by the end office where the Type 2B interface is located.
- 19.4.3 Except as noted in 19.4.2, terminating services may be used to access valid NXXs in the LATA, operator services, Directory Assistance (411 and 555-1212), emergency reporting service (911), exchange telephone repair and business offices, community information services of an information provider, and the services of an interexchange carrier.
- 19.4.4 For Type 1 service, the Telephone Company shall select the first point of switching within the selecting LATA. The CMC may request a different first point of switching where facilities and measurement capabilities are available. When required by technical limitations, a separate service group will be established for each type of switching arrangements. Separate service groups may be required in each direction for two-way operation. Different types of facilities or switching arrangements may not be combined in a single service group.

SECTION NO. 19

19. Cellular Mobile Telephone Interconnection (Cont'd)

19.4. Description of Service (Cont'd)

19.4.5 The calling scope available to the landline customers is available to the CMC subject to 19.4.4.

- A. Tandem (Type 2A) interconnections require the CMC to designate an end office to determine the tandem interconnection service's flat rate calling scope and rate center. The CMC may have only one rate center designated per service group per tandem office. These types of interconnections are available only where the following conditions are met:
1. The designated end office is a subtending office of the tandem; and
 2. The designated end office is within the Cellular Service Area of that CMC's system.
- B. Type 1, Type 2B and line side interconnections may only be to end offices that serve telephone subscribers within the Cellular Service Area of the CMC's system.
- C. Local terminating usage rates apply based on the point of interconnection where the call is delivered to Citizens.

19.4.6 Type 2B Interconnection is subject to the following rules:

- A. Calls completed via the Type 2B interconnection circuits are terminated in, or originated by, directory numbers (DN's) served only by that specific Citizens end office. A Type 2B interface may be used with the Type 2A interface on a high-usage alternate routing basis to serve high-volume traffic between the MTSO and the Citizens end offices.
- B. Citizens end offices available for Type 2B interconnection will be restricted to those offices having the required capabilities (e.g., measuring and recording). Generally, available offices include those large offices with stored program control (SPC) type technology.
- C. Type 2B trunks will be available on a one-way or two-way basis where facilities and equipment permit.
- D. Type 2B calls cannot be routed to services provided by Feature Group B (FGB), Feature Group C (FGC), or Feature Group D (FGD) Interexchange carriers, international carriers, or operator services, public response networks, directory assistance, or Type 2A or Type 2B interconnections of other carriers.

SECTION NO. 19

19. Cellular Mobile Telephone Interconnection (Cont'd)

19.4. Description of Service (Cont'd)

19.4.6 Type 2B Interconnection is subject to the following rules: (Cont'd)

- E. Type 2B connections used with a Type 2A connection will utilize the same NXX code(s) assigned to the Type 2A and no additional charges apply. If the CMC utilizes a Type 2B as stand alone interconnection and uses the interconnection for originating traffic, the CMC has the option of using a dedicated NXX code.
- F. The selection of Type 2B end offices may be inside or outside the flat-rate calling scope of the designated Type 2A rate center subject to office capability. Landline to mobile charges will still be based on the calling area designated for the Type 2A.

19.5. Features

19.5.1 Optional Features - Nonchargeable

A. Outpulsing

This option provides the end office capability of providing up to ten digits of the called party telephone number to the CMC's location. The CMC may request that only some of the digits in the telephone number be forwarded. When a steering digit is required (e.g., third digit of the NXX code), only seven digit outpulsing will be furnished.

B. Delay Dial Start-Pulsing Signaling

This option provides a method of indicating to the originating trunk circuit a readiness to accept address signaling information by the terminating trunk circuit. Delay dial is the off-hook, on-hook signaling sequence. The delay dial signal is the off-hook interval and the start-pulsing signal is the on-hook interval. With integrity check, the calling offices will not out-pulse until a delay dial (off-hook) signal followed by a start-pulsing (on-hook) signal has been identified at the calling office.

C. Immediate Dial Pulse Address Signaling

This option forwards dial pulses from the Telephone Company end office to the CMC without a start-pulsing signal from the CMC. This option is available only to CMCs who have existing dial pulse services. Such arrangements may be continued under this tariff, but the carrier may not add to or move these arrangements.

SECTION NO. 19

19. Cellular Mobile Telephone Interconnection (Cont'd)

19.5. Features (Cont'd)

19.5.1 Optional Features - Nonchargeable (Cont'd)

D. Dial Pulse Address Signaling

This trunk side option provides for the transmission of number information (e.g., call number) between the Telephone Company end office switching system and the CMC's premises (in either direction) by means of direct current pulses.

19.5.2 Optional Features - Chargeable.

Testing Capabilities

This service is provided, in the terminating direction where appropriate equipment is available (both telephone and CMC), with seven digit access to balance (100 type) test line, milliwatt (102 type) test line, nonsynchronous or synchronous test line, automatic transmission measuring (105 type) test line, data transmission (107 type) test line, loop around test line, short circuit test line and open circuit test line. Additional Cooperative Acceptance Testing, Automatic Scheduled Testing, Cooperative Testing, Manual Schedule Testing and Nonscheduled Testing are available under Section 13 of this tariff.

19.6. Rate Regulations

The Telephone Company's rates for circuits and switching provided in the interconnection and interchange of traffic with CMC's are as follows:

19.6.1 Originating Connecting Circuits - Type 1 and Type 2A

- A. The monthly rates and charges for a two-wire or four-wire voice grade connecting circuit, exclusively used for the interchange of only one-way originating traffic will consist of the following elements; (1) a Channel Termination charge for each two-wire or four-wire voice grade circuit between the MTSO and the Company's end office, per paragraph 19.7.1(A) following, plus (2) if facilities are provided to an end office other than the CMC's serving wire center, Channel Mileage charges per paragraph 19.7.1(A) following for each two-wire or four-wire voice grade circuit between the entry end office switch where the service was ordered to and the CMC's serving wire center. Mileage calculations will be on an airline mile basis using V&H coordinates of the entry end office switch and the CMC's serving wire center.

SECTION NO. 19

19. Cellular Mobile Telephone Interconnection (Cont'd)

19.6. Rate Regulations (Cont'd)

19.6.1 Originating Connecting Circuits - Type 1 and Type 2A (Cont'd)

- B. The monthly rates and charges for DS1 (1.544 Mbps High Capacity circuit) connecting circuit, equivalent to 24 voice grade circuit, exclusively used for the interchange of only one-way originating traffic will consist of the following elements; (1) a Channel Termination and multiplexing charges (if required) for each DS1 circuit between the MTSO and the Company's end office, per paragraph 19.7.1(B) following, plus (2) if facilities are provided to an end office other than the CMC's serving wire center, Channel Mileage charges per paragraph 19.7.1(B). following for each DS1 circuit between the entry end office switch where the service was ordered to and the CMC's serving wire center. Mileage calculations will be on an airline mileage basis using V&H coordinates of the entry end office switch and the CMC's serving wire center.
- C. The recurring charges, other than terminating usage charge, for connecting circuits used for originating and terminating traffic (two-way connecting circuits) shall be prorated. The charge for each two-way circuit will be 20% of the charge specified in Paragraph 19.6.1(A) or 19.6.1(B) preceding. In addition, all terminating traffic interchanged over two-way circuits is subject to terminating usage as described in 19.6.2. following.

19.6.2 Terminating Connection Circuits - Type 1 and Type 2A

- A. No charge, except for terminating usage as described, shall be assessed for connecting circuits used exclusively for the interchange of terminating traffic.
- B. Telephone Company charges for terminating CMC originated traffic interchanged with the Telephone Company and destined to points on the intraLATA wireline exchange network shall be on a usage sensitive basis. To the extent that a telephone company office lacks the capability of measuring terminating usage for billing purposes, terminating usage charges shall be calculated based on assumed minutes of usage, per paragraph 19.3.3 preceding.
- C. The terminating usage rates for CMC originated traffic interchanged with the Telephone Company and destined to points within the Local Calling Scope of the Company's end office (Type 1) or the designated end office rate center (Type 2A) are defined in paragraph 19.7.2(A)(1) following.

SECTION NO. 19

19. Cellular Mobile Telephone Interconnection (Cont'd)

19.6. Rate Regulations (Cont'd)

19.6.2 Terminating Connection Circuits - Type 1 and Type 2A (Cont'd)

- D. The terminating usage rates for CMC originated traffic interchanged with the Telephone Company and destined to points Outside the Local Calling Scope of the Company's end office (Type 1) or the designated end office rate center (Type 2A), shall be the same as intraLATA toll rates per the Citizens Telecommunications Company of Nevada Local Exchange Service Tariff, PSCN No. 1.
- E. Local terminating usage measurement on CMC terminating traffic delivered to the Telephone Company for termination within the Company's Local Calling Scope begins when the Telephone Company's end office switch or tandem switch receives an off-hook supervisory signal from the end office service and called party, indicating that the called party has answered and transmits that same information to the carrier's location. The measurement of terminating call usage ends when the Telephone Company's end office switch or tandem switch serving the carrier receives an on-hook supervisory signal from either the CMC or the called party.

19.6.3 Non-Recurring Charges - Type 1 and Type 2A

The non-recurring charges for all one-way and two-way connecting circuits shall be the same as specified in paragraph 19.7.1. following, plus applicable charges per Section 5 of this tariff.

19.6.4 Minimum Monthly Charges - Type 1 and Type 2A

For Type 1 and Type 2A service, the minimum monthly charge is equal to the rates and charges specified in paragraph 19.6.1(A) or 19.6.1(B) preceding.

19.6.5 Type 2B Connections

- A. Telephone Company charges for facilities and services provided for Type 2B interconnection and interchange of traffic with CMC's shall consist of (1) flat-rate charges for one-way or two-way connecting circuits that connect the CMC's MTSO to the Telephone Company's serving end office(s) and (2) traffic originating on the CMC's network and terminating on the Telephone Company's intraLATA wireline exchange network will be billed on a usage sensitive per minute of use basis.

SECTION NO. 19

19. Cellular Mobile Telephone Interconnection (Cont'd)

19.6. Rate Regulations (Cont'd)

19.6.5 Type 2B Connections (Cont'd)

- B. The monthly rates and charges for a two-wire or four-wire voice grade connecting circuit shall be the charge for a two-wire or four-wire Channel Termination and Channel Mileage if applicable, per paragraph 19.7.1(A) following. Mileage calculations will be on an airline mile basis using V&H coordinates of the entry end office switch and the CMC's serving wire center.
- C. The monthly rates and charges for a DS1 (1.544 Mbps High Capacity circuit) connecting circuit, equivalent to 24 voice grade circuits, shall be the charge for a DS1 Channel Termination and, if applicable, Channel Mileage and Multiplexing, per Section 7.12.5. Mileage calculations will be on an airline mile basis using V&H coordinates of the entry end office switch and the CMC's serving wire center.
- D. Telephone Company charges for the termination of CMC originated traffic interchanged with the Telephone Company and destined to directory numbers served by the specific Type 2B end office shall be on a usage sensitive basis.
- E. The terminating usage charges for CMC originated traffic interchanged with the Telephone Company at Type 2B end offices within the Company's Local Calling Scope are defined in paragraph 19.7.2(A)(1) following. Terminating usage charges at Type 2B end offices Outside the Local Calling Scope are defined in paragraph 19.7.2(A)(2) following.
- F. Local Terminating Usage measurement on CMC terminating traffic delivered to the Telephone Company for termination within the Company's local calling scope begins when the Telephone Company's end office switch or tandem switch receives an off-hook supervisory signal from the end office serving the called party, indicating that the called party has answered and transmits that same information to the CMC's location. The measurement of terminating call usage ends when the Telephone Company's end office switch or tandem switch serving the CMC receives an on-hook supervisory signal from either the CMC or the called party.

SECTION NO. 19

19. Cellular Mobile Telephone Interconnection (Cont'd)

19.6. Rate Regulations (Cont'd)

19.6.5 Type 2B Connections (Cont'd)

G. Non-Recurring Charges - Type 2B

The non-recurring charges for all one-way and two-way connecting circuits shall be the same as specified in paragraph 19.7.1. following, plus applicable Access Order Charges per Section 5 of this tariff.

H. Minimum Monthly Charge - Type 2B

The minimum monthly charge from Type 2B service is equal to the rate specified in paragraph 19.6.5(B) or 19.6.5(C) preceding.

SECTION NO. 19

19. Cellular Mobile Telephone Interconnection (Cont'd)

19.7. Rates and Charges - ELKO DIVISION and TONOPAH DIVISION

19.7.1 Originating Connecting Circuits - Type 1, Type 2A or Type 2B Circuits

A.	<u>Voice Grade Circuits</u>	<u>Nonrecurring Charge</u>	<u>Monthly Rate</u>
1)	<u>Channel Termination</u>		
	a) Two-Wire	(1)	(1)
	b) Four-Wire	(1)	(1)
2)	<u>Channel Mileage</u>		
	a) Channel Mileage Facility Per Mile		(1)
	b) Channel Mileage Termination Per Termination		(1)
B.	<u>DS1 Service</u>		
1)	<u>Channel Termination</u>	(2)	(2)
2)	<u>Channel Mileage</u>		
	a) Channel Mileage Facility Per Mile		(2)
	b) Channel Mileage Termination Per Termination		(2)
3)	<u>Optional Features and Functions</u>		
	a) Multiplexing, per arrangement DS1 to Voice DS1 to DS0		(2) (2) (2)

(1) Applicable rates per Section 7.7.5.

(2) Applicable rates per Section 7.12.5.

SECTION NO. 19

19. Cellular Mobile Telephone Interconnection (Cont'd)

19.7. Rates and Charges - ELKO and TONOPAH DIVISION (Cont'd)

19.7.2 Terminating Usage Rates

	<u>Rate Per Minute of Use</u>
A) <u>Type 1, Type 2A and Type B</u>	
1) Local Calling Scope	\$ 0.025
2) Outside the Local Calling Scope	Applicable IntraLATA toll rates per the

Citizens

Telecommunications Company
of Nevada. Local Exchange

Service Tariff P.S.C.N. No. 1.

19.7.3 All applicable Nonrecurring charges will be assessed, per paragraph 19.7.1 preceding, plus applicable Access Order charges per Section 5 of the Access Service Tariff.

19.7.4 Telephone Number Groups and Dedicated NXX Charges

	<u>Nonrecurring Charge</u>
A. First 100 Numbers assigned (1)	\$185.00
B. Per addition 100 Numbers assigned (1)	\$105.00
C. First 1000 Numbers assigned (1)	\$1,375.00
D. Per additional 1000 Numbers assigned (1)	\$925.00
E. Per dedicated NXX	\$8,300.00

(1) Applies to Type 1 only.

SECTION NO. 20

20. Intrastate Governmental Access Services

20.1 General Description

This service provides private line digital network services for transmission of voice, data, or video signals by Nevada government customers. For purposes of this tariff, Nevada government customer means the government of the state of Nevada, any of its political subdivisions (townships, cities, counties) and their respective subordinate agencies, authorities, boards, bureaus, commissions, courts, departments, divisions, offices and special districts; the University of Nevada System, including its universities, community colleges; and county public school districts and their subordinate entities.

Services purchased may not be resold, repackaged or shared with any other customer, except for customers described in the immediately preceding sentence. The services stated in Section 1 herein will be provided pursuant to written agreements with Citizens Telecommunications Company of Nevada. Services will be provided where appropriate facilities exist.

20.2 Service Descriptions

The following services are provided to a customer for use only by a Nevada government customer:

- * Digital Data Service (56 Kbps)
- * High Capacity Service (DS1, 1.544 Mbps)

SECTION NO. 20

20. Intrastate Governmental Access Services (Cont'd)

20.3 Rate Regulations

Rates and charges associated with these rate elements are listed in 20.4 following.

Except as specifically noted below, all rules and regulations applicable to the rate elements provided under a monthly service arrangement, as set forth in Section 7 of this tariff apply to those rate elements provided under this Section. Rate elements not listed in 20.4 are not available under this section and must be purchased as set forth in Section 7.

20.3.1 Mileage Application

Mileage, when used for rate application, shall be determined by the V and H Coordinates Method as set forth in National Exchange Carrier Association, Inc. Tariff FCC No. 4 and administered as set forth in Section 7 of this tariff.

20.3.2 Cancellation

A customer may cancel an order for services at any time prior to notification by the Telephone Company that service is available for the customer's use.

20.3.3 Rate Application

(A) General

For existing services which are brought under this section, only the Access Order Charge as set forth in Section 5 of this tariff will apply. For actual service installations, nonrecurring charges, rearrangements, etc., the applicable charges, as set forth in Section 7 of this tariff will apply.

SECTION NO. 20

20. Intrastate Governmental Access Services (Cont'd)

20.4 Rates and Charges

20.4.1 Digital Data Services (56 Kbps)

	Elko Division		Tonopah Division	
	Monthly Rate	Monthly Rate	Monthly Rate	Monthly Rate
	<u>Fixed</u>	<u>Per Mile</u>	<u>Fixed</u>	<u>Per Mile</u>
(A) Channel Termination (1) (2) per Point of termination	\$64.19		\$90.42	
(B) Channel Mileage (1)	\$124.19	\$2.21	\$174.93	\$3.11

20.4.2 High Capacity Service (1.544 Mbps)

(A) Channel Termination (1) (2) per Point of termination	\$203.06		\$277.53	
(B) Channel Mileage (1)	\$166.16	\$29.76	\$227.09	\$40.67

- (1) Rates that appear on this sheet are restricted for use only with a written agreement as set forth in 20.1 (General) preceding.
- (2) Nonrecurring and rearrangement charges are as set forth in Section 7 of this tariff.